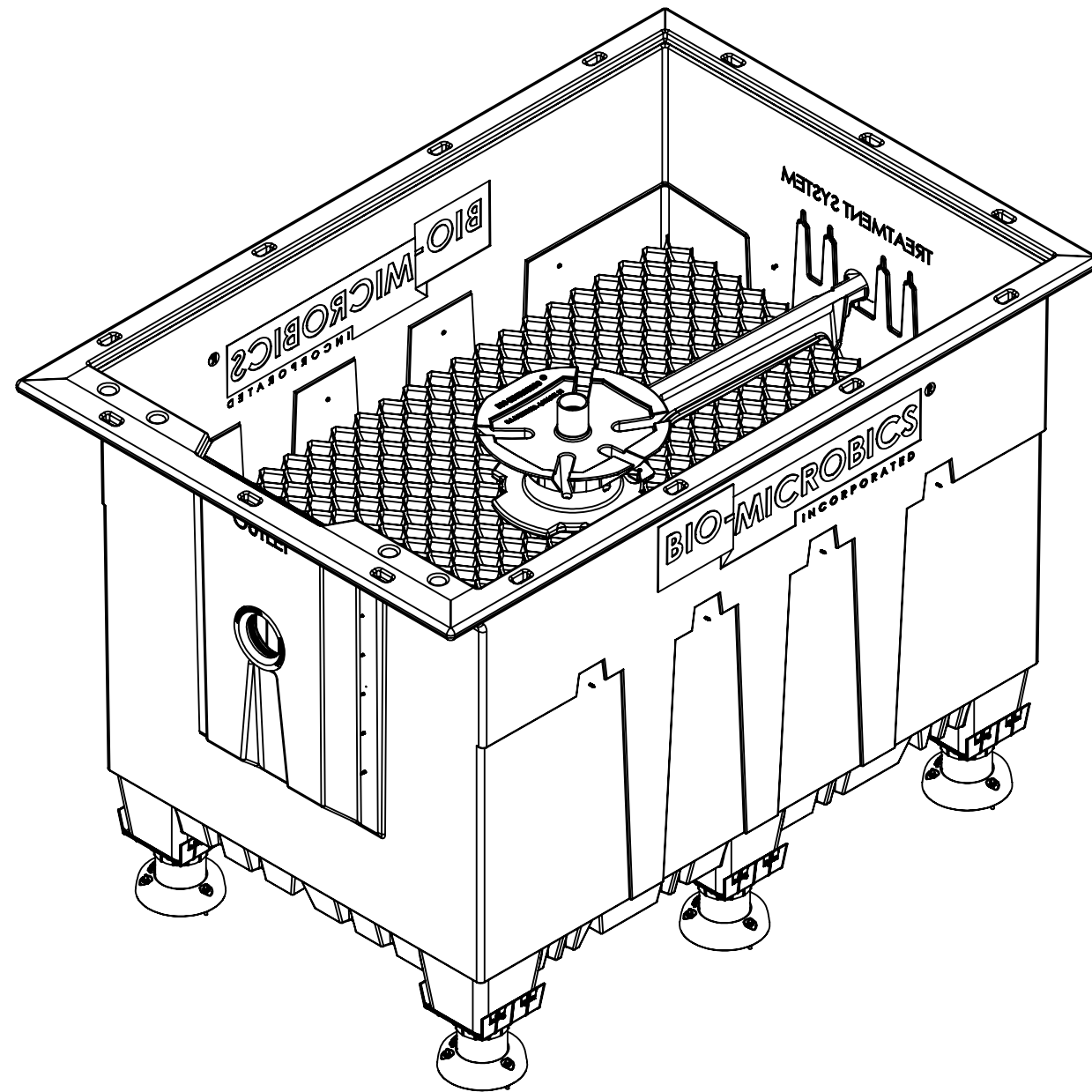
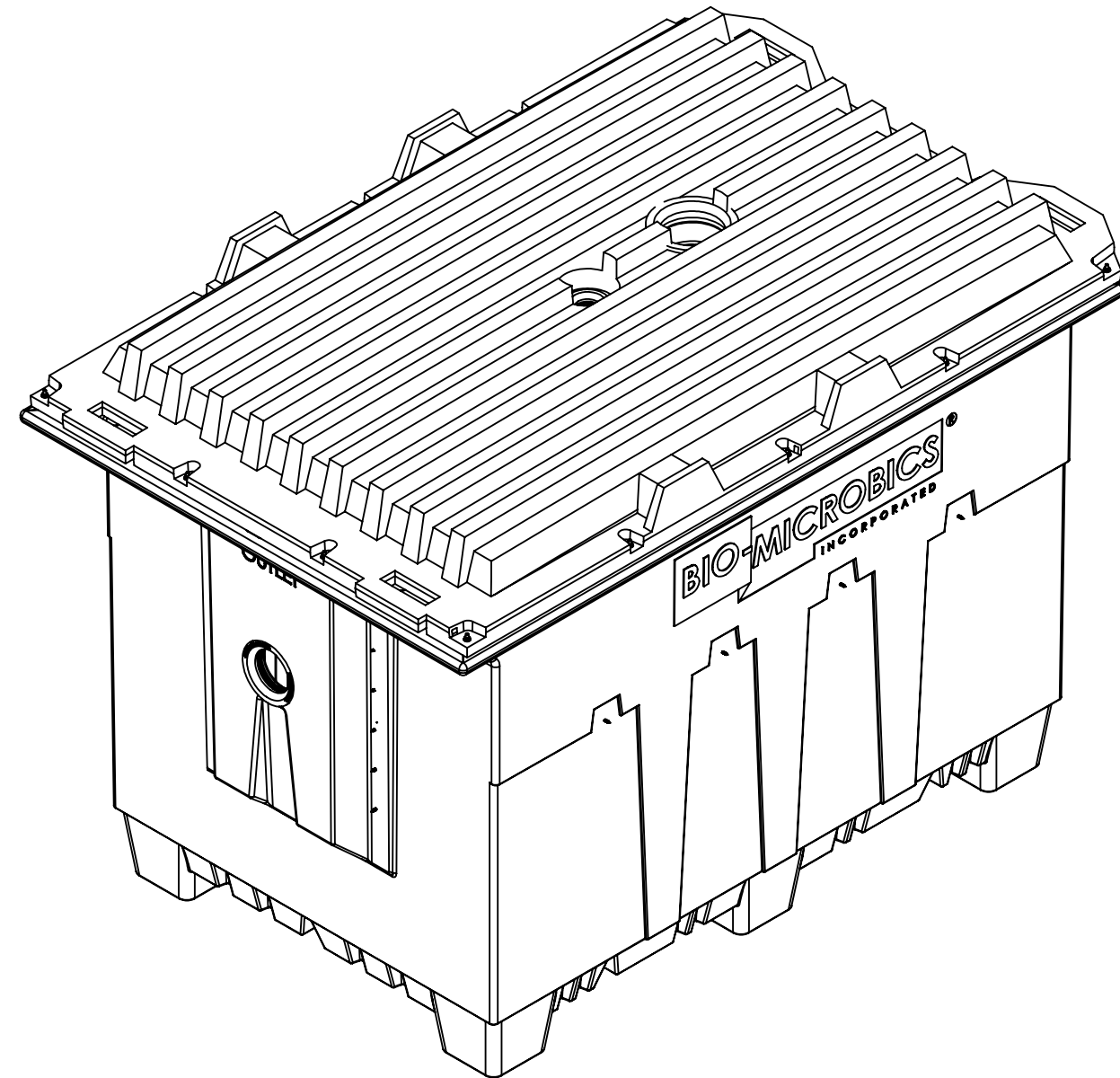



REVISIONS		
REV.	DESCRIPTION	DATE
C	REVISED TO CURRENT	5/27/2021

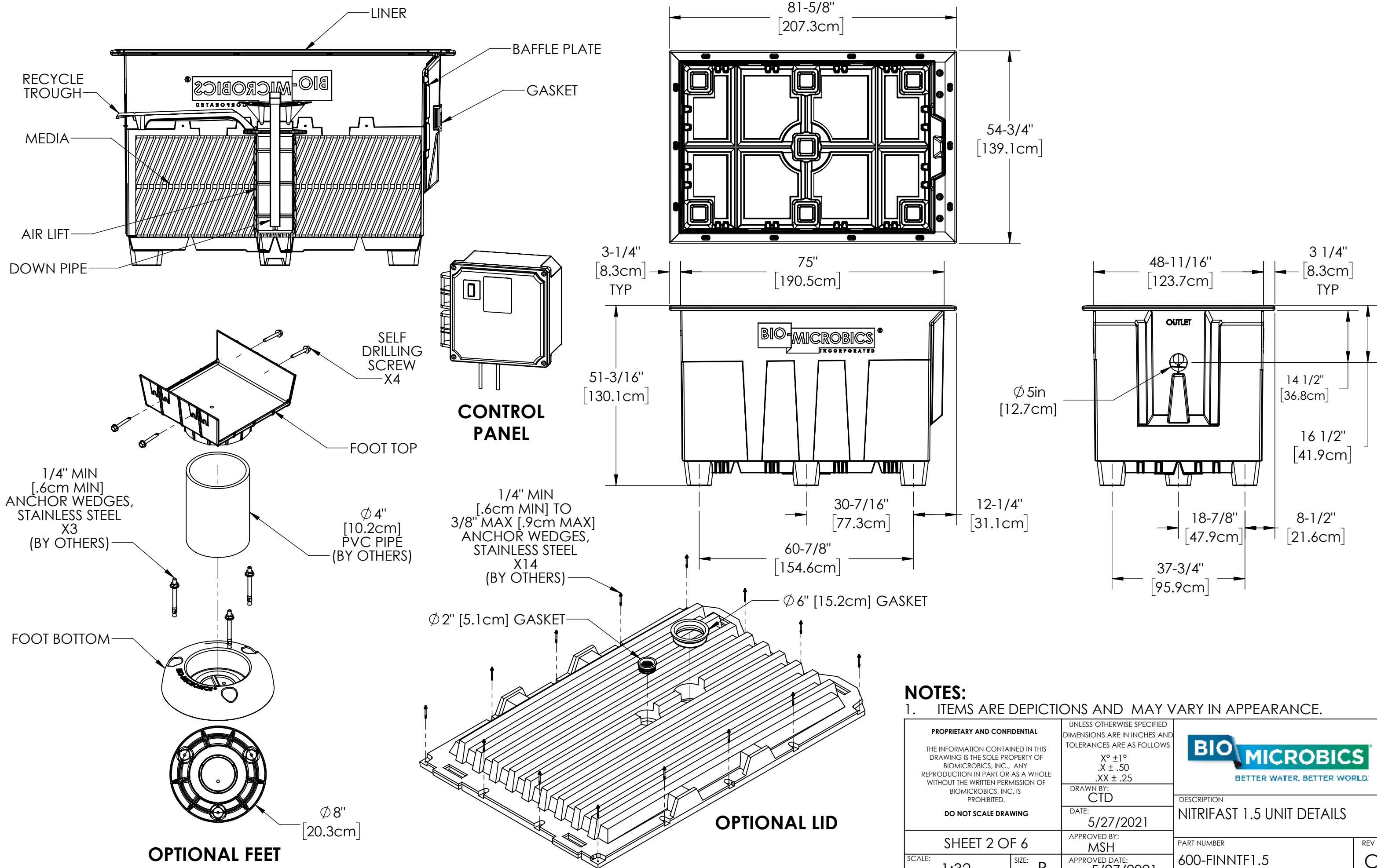


NitriFAST® 1.5 WITH FEET




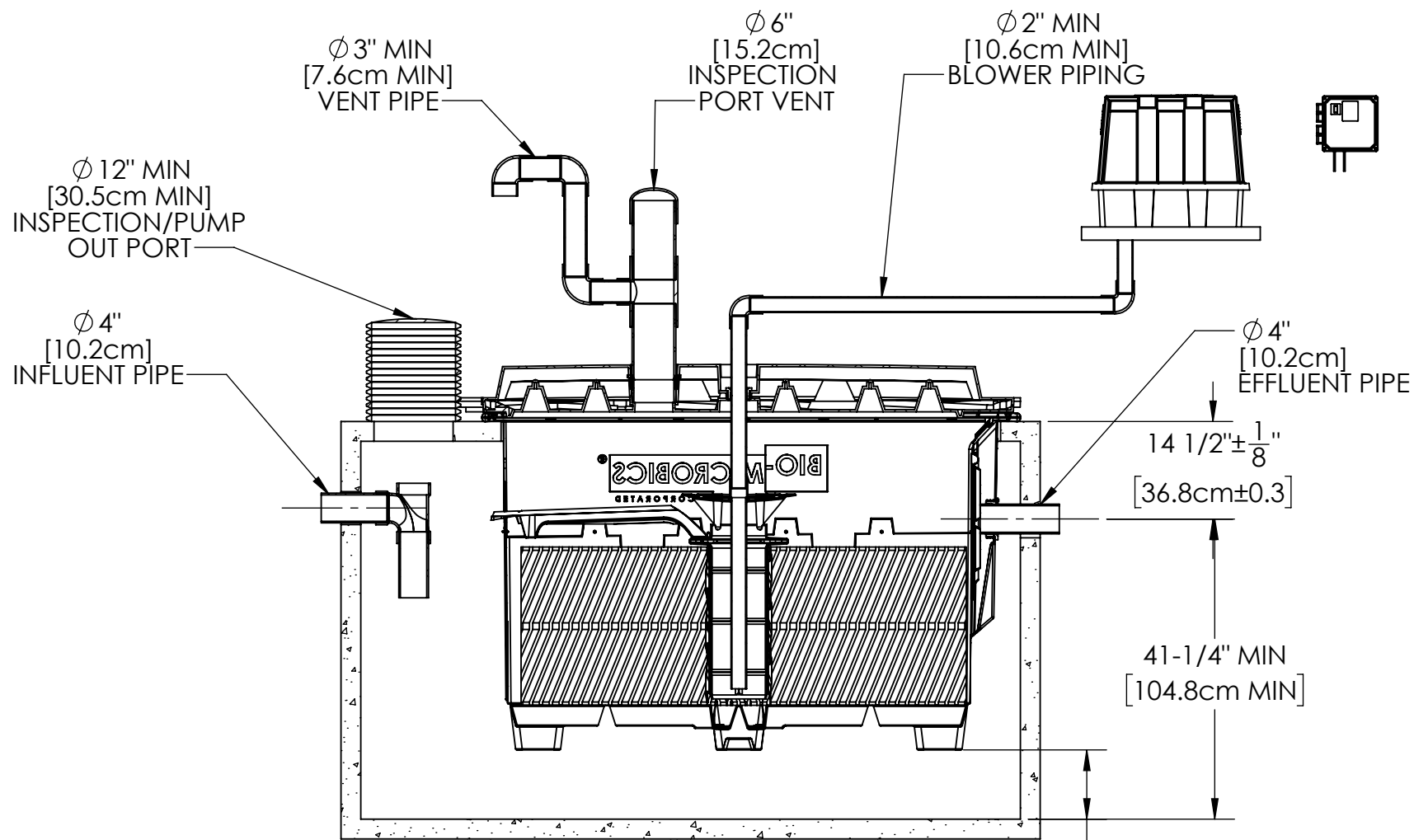
NitriFAST® 1.5 WITH LID

<p>PROPRIETARY AND CONFIDENTIAL</p> <p>THE INFORMATION CONTAINED IN THIS DRAWING IS THE SOLE PROPERTY OF BIOMICROBICS, INC.. ANY REPRODUCTION IN PART OR AS A WHOLE WITHOUT THE WRITTEN PERMISSION OF BIOMICROBICS, INC. IS PROHIBITED.</p> <p>DO NOT SCALE DRAWING</p>		<p>UNLESS OTHERWISE SPECIFIED DIMENSIONS ARE IN INCHES AND TOLERANCES ARE AS FOLLOWS</p> <p>X° ± 1° X ± .50 XX ± .25</p>			
		<p>DRAWN BY: CTD</p> <p>DATE: 5/27/2021</p>			
<p>SHEET 1 OF 6</p>		<p>APPROVED BY: MSH</p>		<p>PART NUMBER 600-FINNTF1.5</p>	
<p>SCALE: 1:48</p>	<p>SIZE: B</p>	<p>APPROVED DATE: 5/27/2021</p>		<p>REV C</p>	

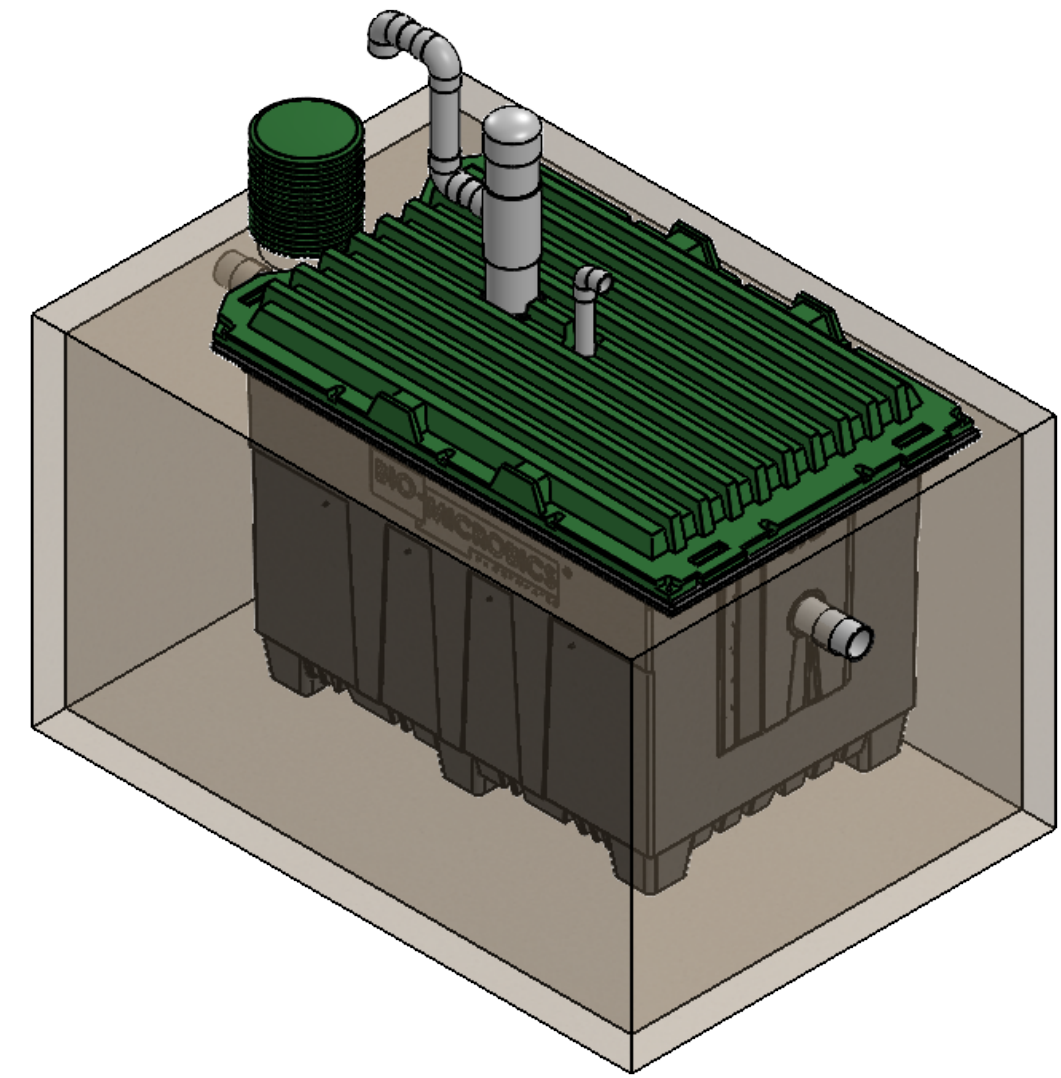
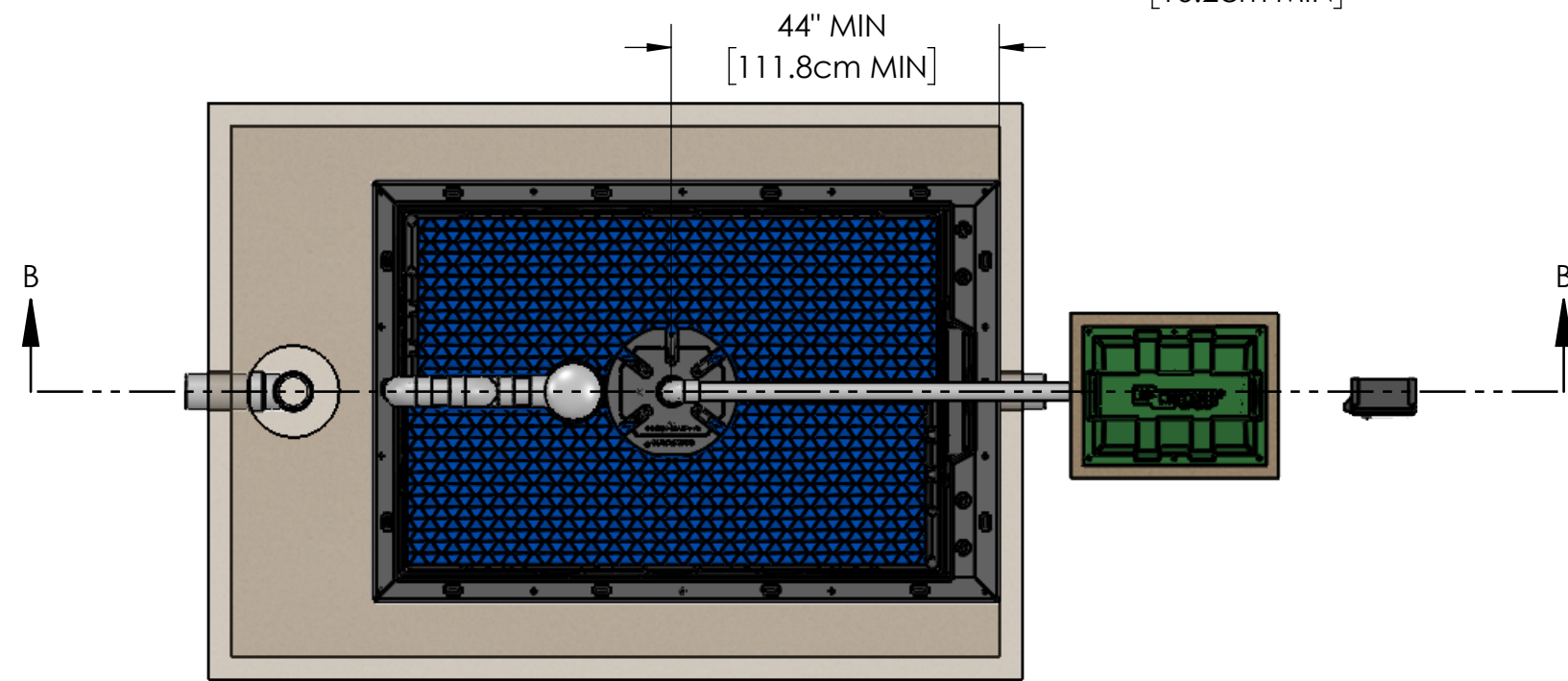


NOTES:
 1. ITEMS ARE DEPICTIONS AND MAY VARY IN APPEARANCE.

PROPRIETARY AND CONFIDENTIAL THE INFORMATION CONTAINED IN THIS DRAWING IS THE SOLE PROPERTY OF BIOMICROBICS, INC.. ANY REPRODUCTION IN PART OR AS A WHOLE WITHOUT THE WRITTEN PERMISSION OF BIOMICROBICS, INC. IS PROHIBITED. DO NOT SCALE DRAWING	UNLESS OTHERWISE SPECIFIED DIMENSIONS ARE IN INCHES AND TOLERANCES ARE AS FOLLOWS X° ± 1° .X ± .50 .XX ± .25	 BETTER WATER. BETTER WORLD.	
	DRAWN BY: CTD		
	DATE: 5/27/2021	PART NUMBER 600-FINNTF1.5	
SHEET 2 OF 6	APPROVED BY: MSH	REV C	
SCALE: 1:32	SIZE: B	APPROVED DATE: 5/27/2021	




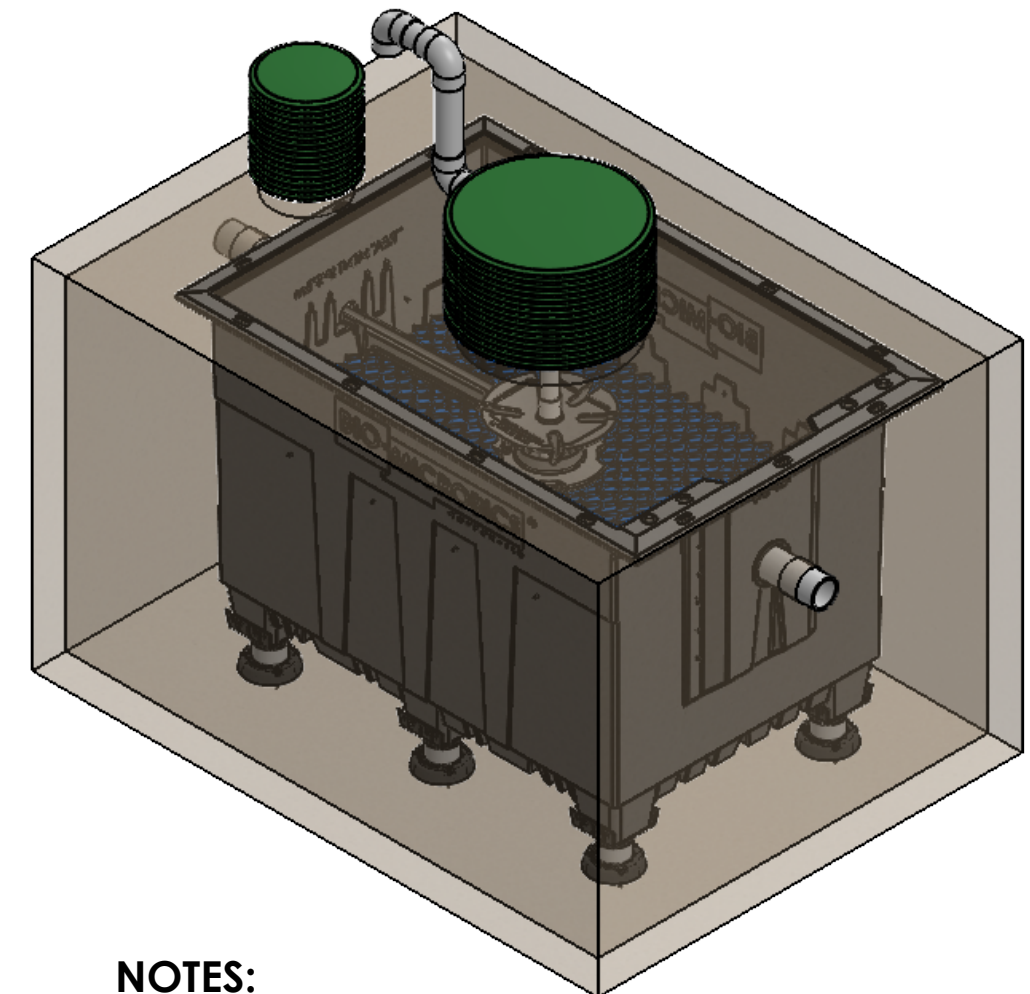
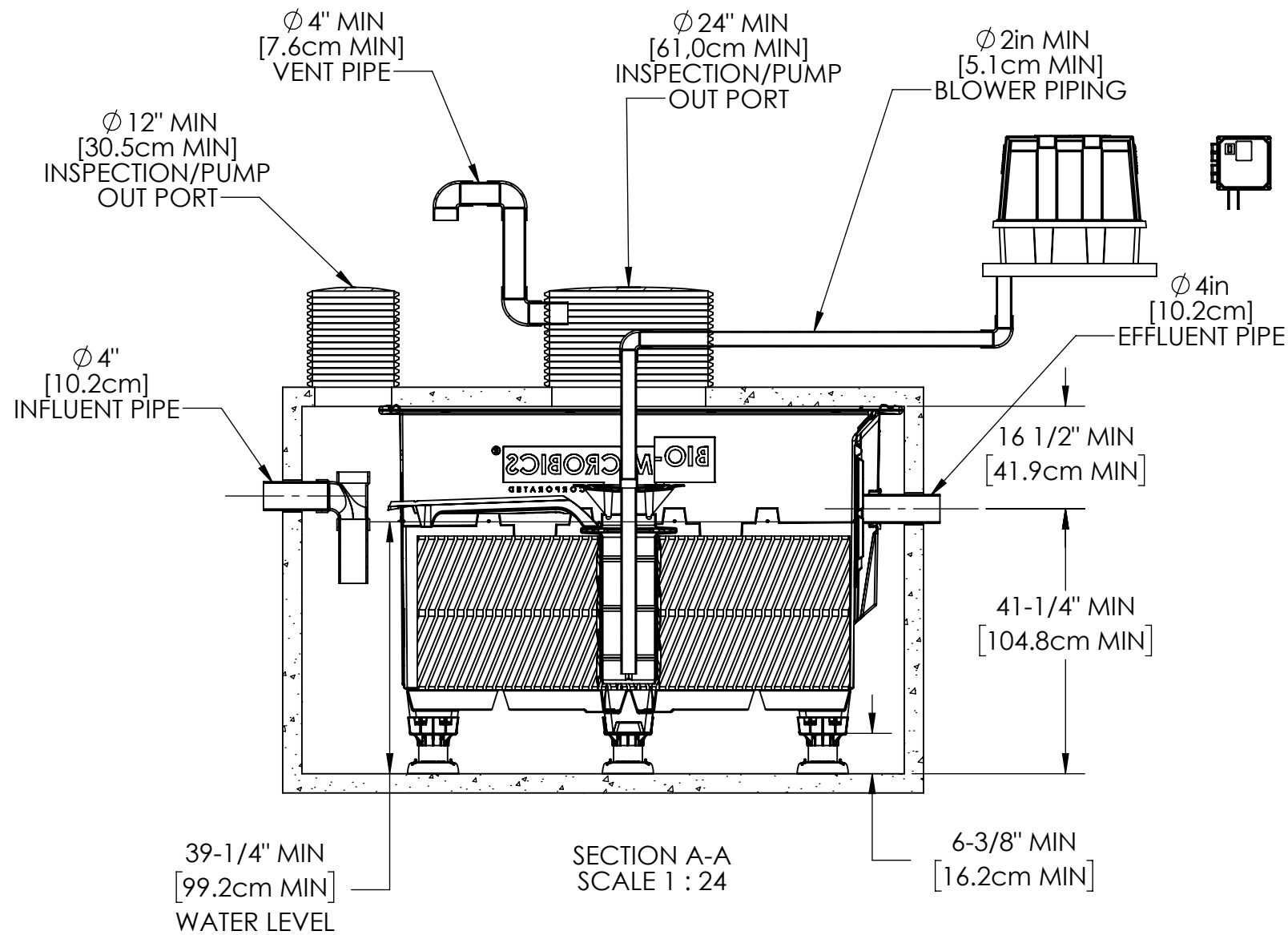
SECTION B-B
SCALE 1 : 24



NOTES:

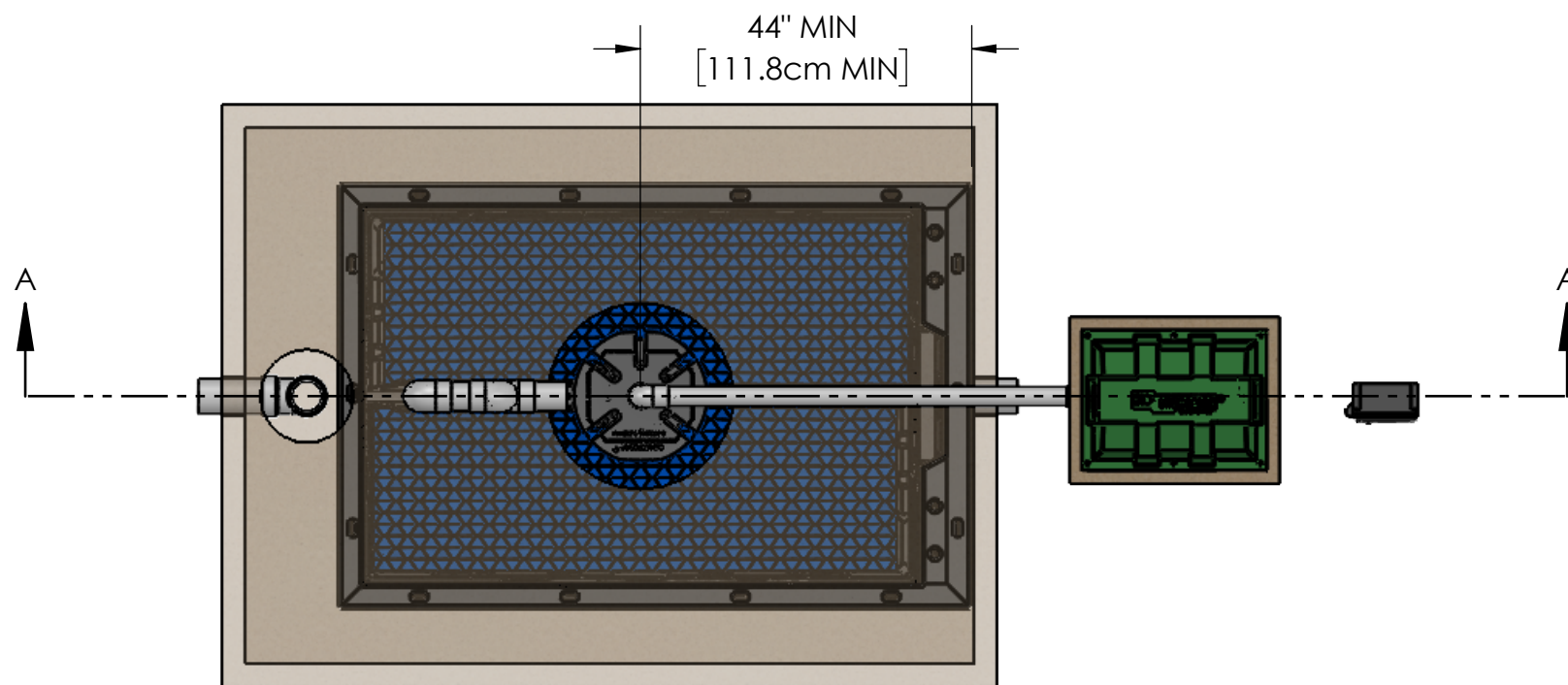
1. AIRLINE PIPING TO FAST® SHOULD NOT EXCEED 100 FT (30M) TOTAL LENGTH AND SHOULD HAVE A MAXIMUM OF 4 ELBOWS IN THE PIPING SYSTEM. FOR DISTANCES GREATER THAN 100 FT (30M) CONSULT FACTORY.
2. IF LESS THAN THE SPECIFIED MINIMUMS ARE CONSIDERED NECESSARY, CONSULT FACTORY FOR GUIDANCE.
3. SPECIALIZED TREATMENT NEEDS MAY REQUIRE SPECIFIC FEATURES TO BE INCORPORATED INTO THE DESIGN. CONSULT FACTORY FOR GUIDANCE.
4. SOME ITEMS REMOVED FOR CLARITY.
5. MINIMUM OF 2.0in [5.1cm] INVERT IS NECESSARY BETWEEN THE INLET AND OUTLET OF THE TANK FOR GRAVITY FLOW SYSTEMS.

<p>PROPRIETARY AND CONFIDENTIAL</p> <p>THE INFORMATION CONTAINED IN THIS DRAWING IS THE SOLE PROPERTY OF BIOMICROBICS, INC.. ANY REPRODUCTION IN PART OR AS A WHOLE WITHOUT THE WRITTEN PERMISSION OF BIOMICROBICS, INC. IS PROHIBITED.</p> <p>DO NOT SCALE DRAWING</p>		<p>UNLESS OTHERWISE SPECIFIED DIMENSIONS ARE IN INCHES AND TOLERANCES ARE AS FOLLOWS</p> <p>X° ± 1° .X ± .50 .XX ± .25</p>		
<p>SHEET 3 OF 6</p>		<p>DRAWN BY: CTD</p>	<p>DESCRIPTION NITRIFAST 1.5 UNIT WITH LID</p>	
<p>SCALE: 1:32</p>	<p>SIZE: B</p>	<p>DATE: 5/27/2021</p>	<p>APPROVED BY: MSH</p>	<p>PART NUMBER 600-FINNTF1.5</p>
		<p>APPROVED DATE: 5/27/2021</p>	<p>REV C</p>	



NOTES:

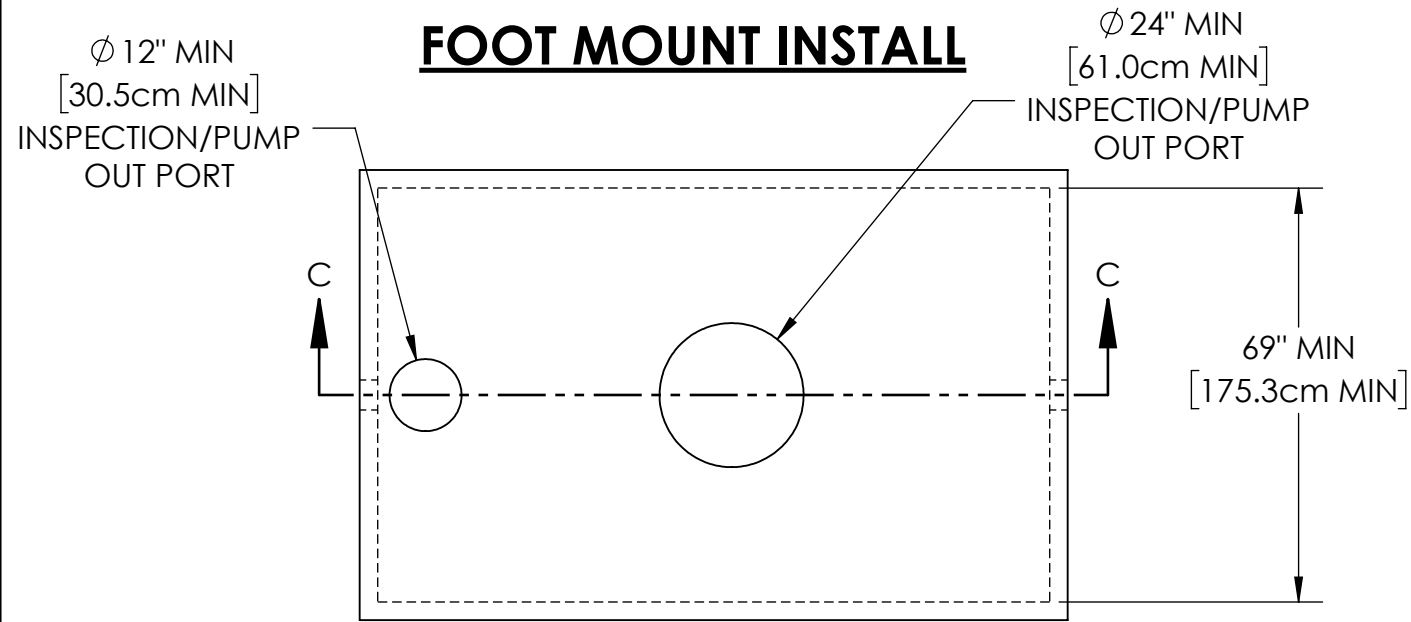
1. AIRLINE PIPING TO FAST@ SHOULD NOT EXCEED 100 FT (30M) TOTAL LENGTH AND SHOULD HAVE A MAXIMUM OF 4 ELBOWS IN THE PIPING SYSTEM. FOR DISTANCES GREATER THAN 100 FT (30M) CONSULT FACTORY.
2. IF LESS THAN THE SPECIFIED MINIMUMS ARE CONSIDERED NECESSARY, CONSULT FACTORY FOR GUIDANCE.
3. SPECIALIZED TREATMENT NEEDS MAY REQUIRE SPECIFIC FEATURES TO BE INCORPORATED INTO THE DESIGN. CONSULT FACTORY FOR GUIDANCE.
4. SOME ITEMS REMOVED FOR CLARITY.
5. MINIMUM OF 2.0in [5.1cm] INVERT IS NECESSARY BETWEEN THE INLET AND OUTLET OF THE TANK FOR GRAVITY FLOW SYSTEMS.



PROPRIETARY AND CONFIDENTIAL		UNLESS OTHERWISE SPECIFIED DIMENSIONS ARE IN INCHES AND TOLERANCES ARE AS FOLLOWS	
THE INFORMATION CONTAINED IN THIS DRAWING IS THE SOLE PROPERTY OF BIOMICROBICS, INC.. ANY REPRODUCTION IN PART OR AS A WHOLE WITHOUT THE WRITTEN PERMISSION OF BIOMICROBICS, INC. IS PROHIBITED.		X° ± 1° .X ± .50 .XX ± .25	
DO NOT SCALE DRAWING		DRAWN BY: CTD	DESCRIPTION NITRIFAST 1.5 UNIT WITH FEET
SHEET 4 OF 6		DATE: 5/27/2021	PART NUMBER 600-FINNTF1.5
SCALE: 1:32	SIZE: B	APPROVED BY: MSH	REV C
		APPROVED DATE: 5/27/2021	

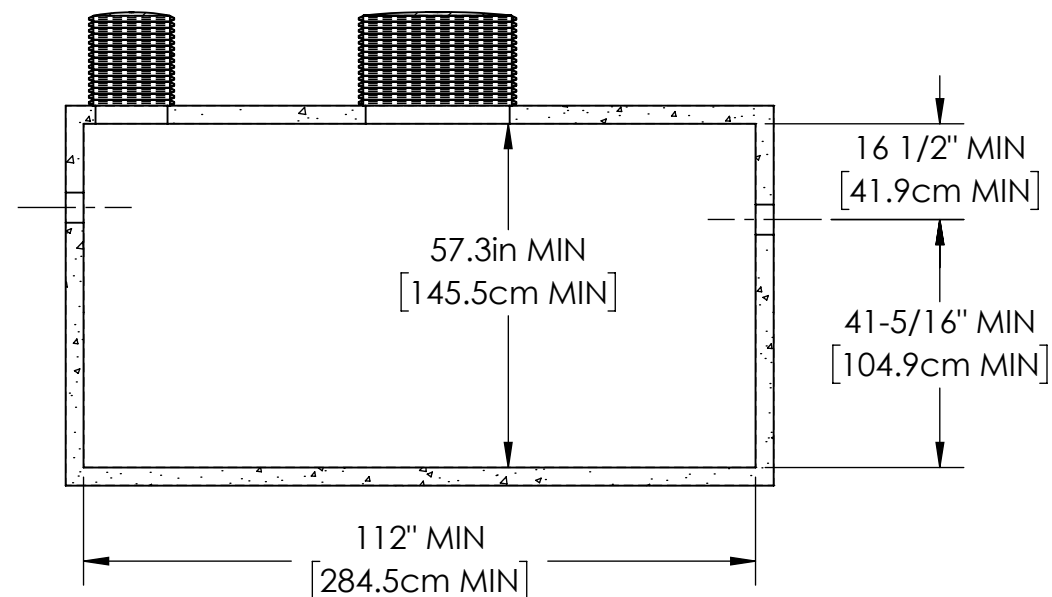


FOOT MOUNT INSTALL



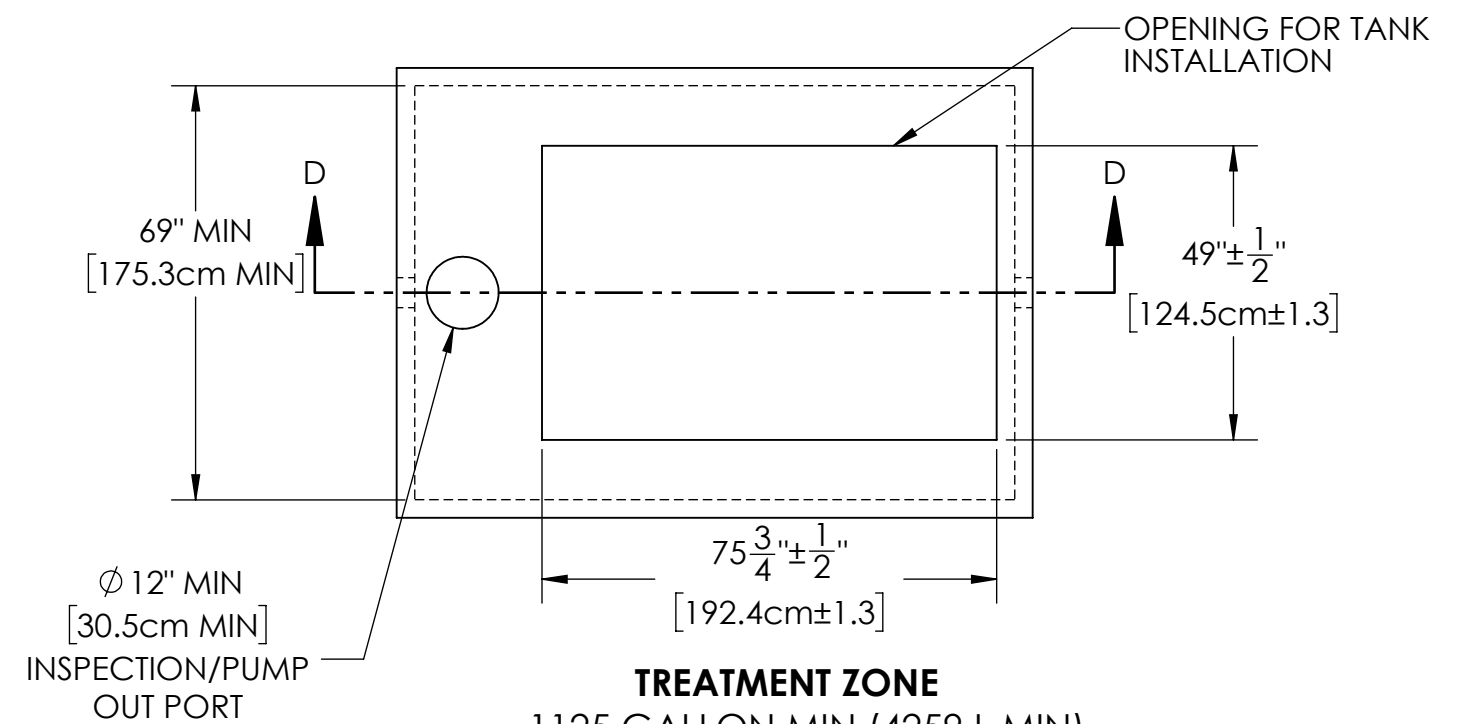
TREATMENT ZONE

1125 GALLON MIN (4259 L MIN)



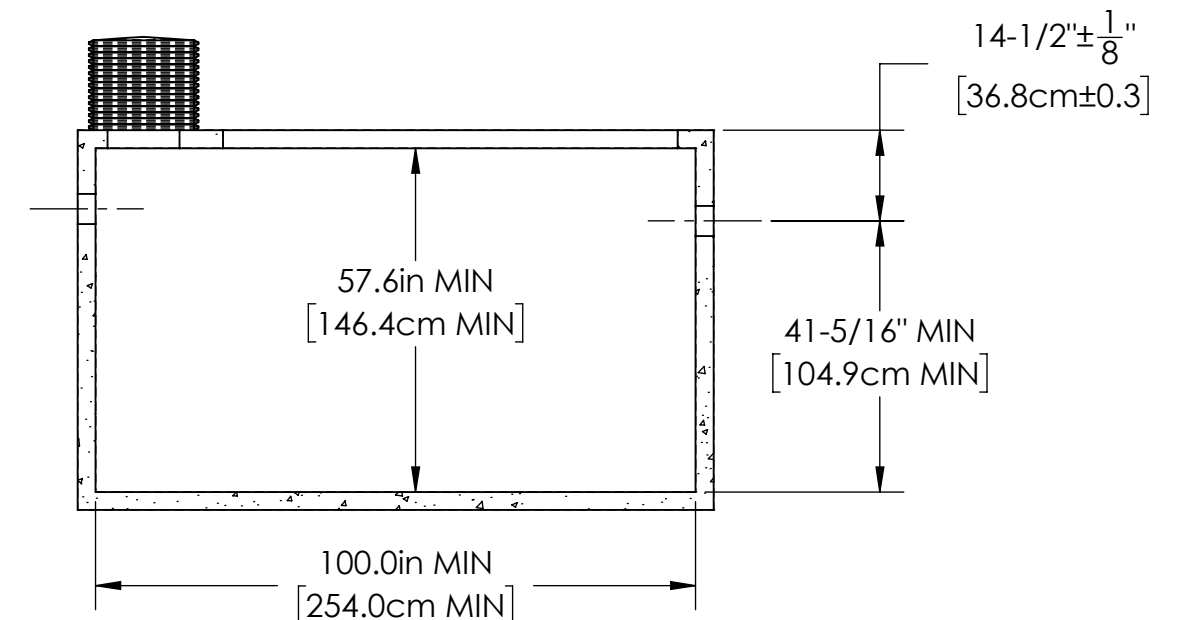
SECTION C-C

LID MOUNT INSTALL



TREATMENT ZONE

1125 GALLON MIN (4259 L MIN)



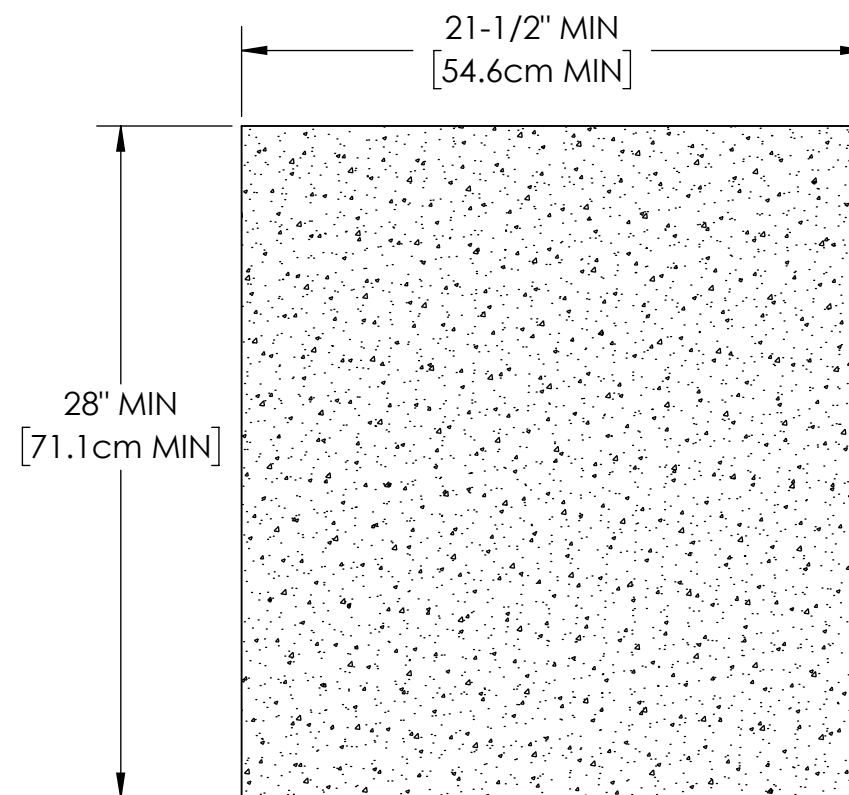
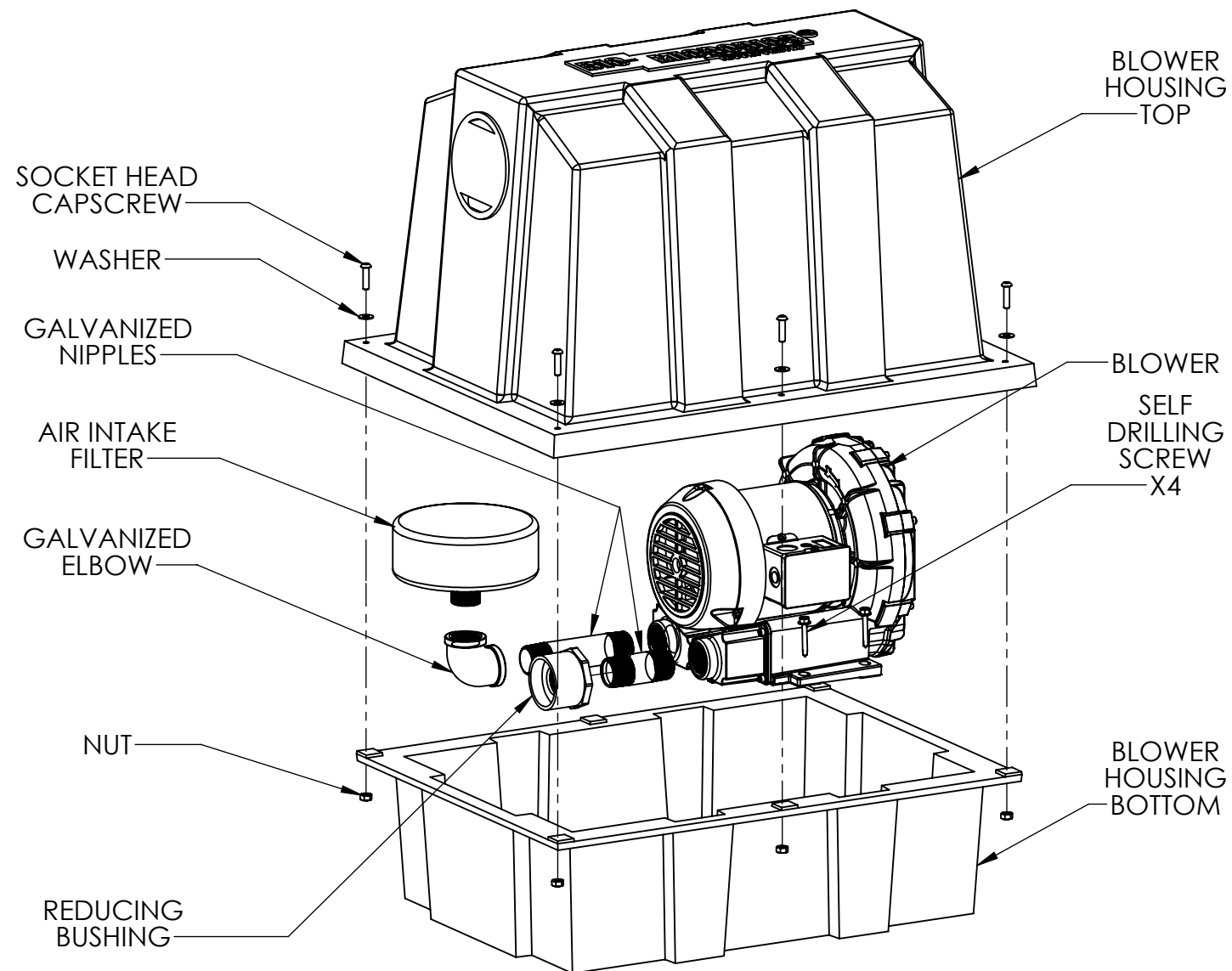
SECTION D-D

NOTES:

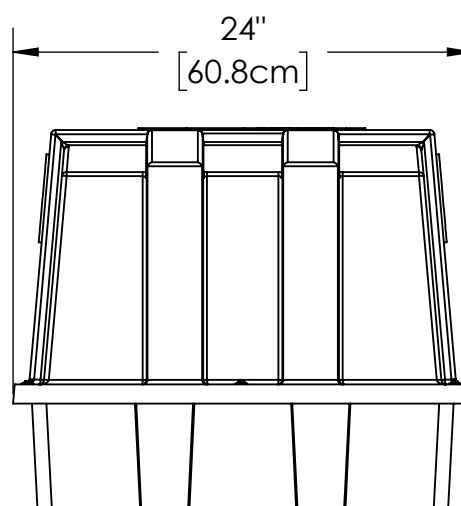
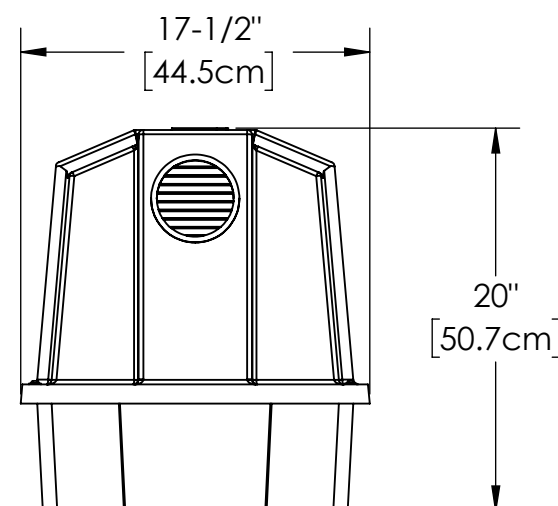
1. MINIMUM DIMENSIONS DO NOT DETERMINE OVERALL TANK CAPACITY.
2. INSPECTION/PUMP OUT PORT LOCATIONS MAY VARY DEPENDING ON TANK CONSTRUCTION.
3. ALL APPURTENANCES TO FAST® (E.G. TANKS, ACCESS PORTS, ELECTRICAL, ETC.) MUST CONFORM TO ALL APPLICABLE COUNTY, STATE, PROVINCE, AND LOCAL PLUMBING AND ELECTRICAL CODES.
4. PUMP OUT ACCESS SHALL BE ADEQUATE TO THOROUGHLY CLEAN OUT THE TANK.
5. IF LESS THAN THE SPECIFIED MINIMUMS ARE CONSIDERED NECESSARY, CONSULT FACTORY FOR GUIDANCE.
6. SPECIALIZED TREATMENT NEEDS MAY REQUIRE SPECIFIC FEATURES TO BE INCORPORATED INTO THE DESIGN. CONSULT FACTORY FOR GUIDANCE.
7. MINIMUM OF 2.0in (5.1cm) INVERT IS NECESSARY BETWEEN THE INLET AND OUTLET OF THE TANK OF GRAVITY FLOW SYSTEM
8. TANK VOLUMES MAY VARY BY APPLICATION AND JURISDICTION.
9. NITRIFAST UNITS CAN GO INTO OTHER THAN SHOWN TYPES OF TANKS, NON RECTANGULAR, PLASTIC, ETC.

PROPRIETARY AND CONFIDENTIAL		UNLESS OTHERWISE SPECIFIED DIMENSIONS ARE IN INCHES AND TOLERANCES ARE AS FOLLOWS	
THE INFORMATION CONTAINED IN THIS DRAWING IS THE SOLE PROPERTY OF BIOMICROBICS, INC.. ANY REPRODUCTION IN PART OR AS A WHOLE WITHOUT THE WRITTEN PERMISSION OF BIOMICROBICS, INC. IS PROHIBITED.		X° ± 1° .X ± .50 .XX ± .25	
DO NOT SCALE DRAWING		DRAWN BY: CTD	DESCRIPTION TANK DETAIL DIMENSIONS
SHEET 5 OF 6		DATE: 5/27/2021	PART NUMBER 600-FINNTF1.5
SCALE: 1:32	SIZE: B	APPROVED BY: MSH	REV C
		APPROVED DATE: 5/27/2021	





BLOWER PAD



NOTES:

1. SOME NITRIFAST CONFIGURATIONS MAY REQUIRE DIFFERENT BLOWER HOUSINGS.
2. BLOWER MUST BE LOCATED ABOVE FLOOD LEVELS.

<p>PROPRIETARY AND CONFIDENTIAL</p> <p>THE INFORMATION CONTAINED IN THIS DRAWING IS THE SOLE PROPERTY OF BIOMICROBICS, INC.. ANY REPRODUCTION IN PART OR AS A WHOLE WITHOUT THE WRITTEN PERMISSION OF BIOMICROBICS, INC. IS PROHIBITED.</p> <p>DO NOT SCALE DRAWING</p>	<p>UNLESS OTHERWISE SPECIFIED DIMENSIONS ARE IN INCHES AND TOLERANCES ARE AS FOLLOWS</p> <p>X° ± 1° .X ± .50 .XX ± .25</p>	
	<p>DRAWN BY: CTD</p> <p>DATE: 5/27/2021</p>	
<p>SHEET 6 OF 6</p>	<p>APPROVED BY: MSH</p>	<p>PART NUMBER 600-FINNTF1.5</p>
<p>SCALE: 1:32</p>	<p>SIZE: B</p>	<p>APPROVED DATE: 5/27/2021</p>
		<p>REV C</p>