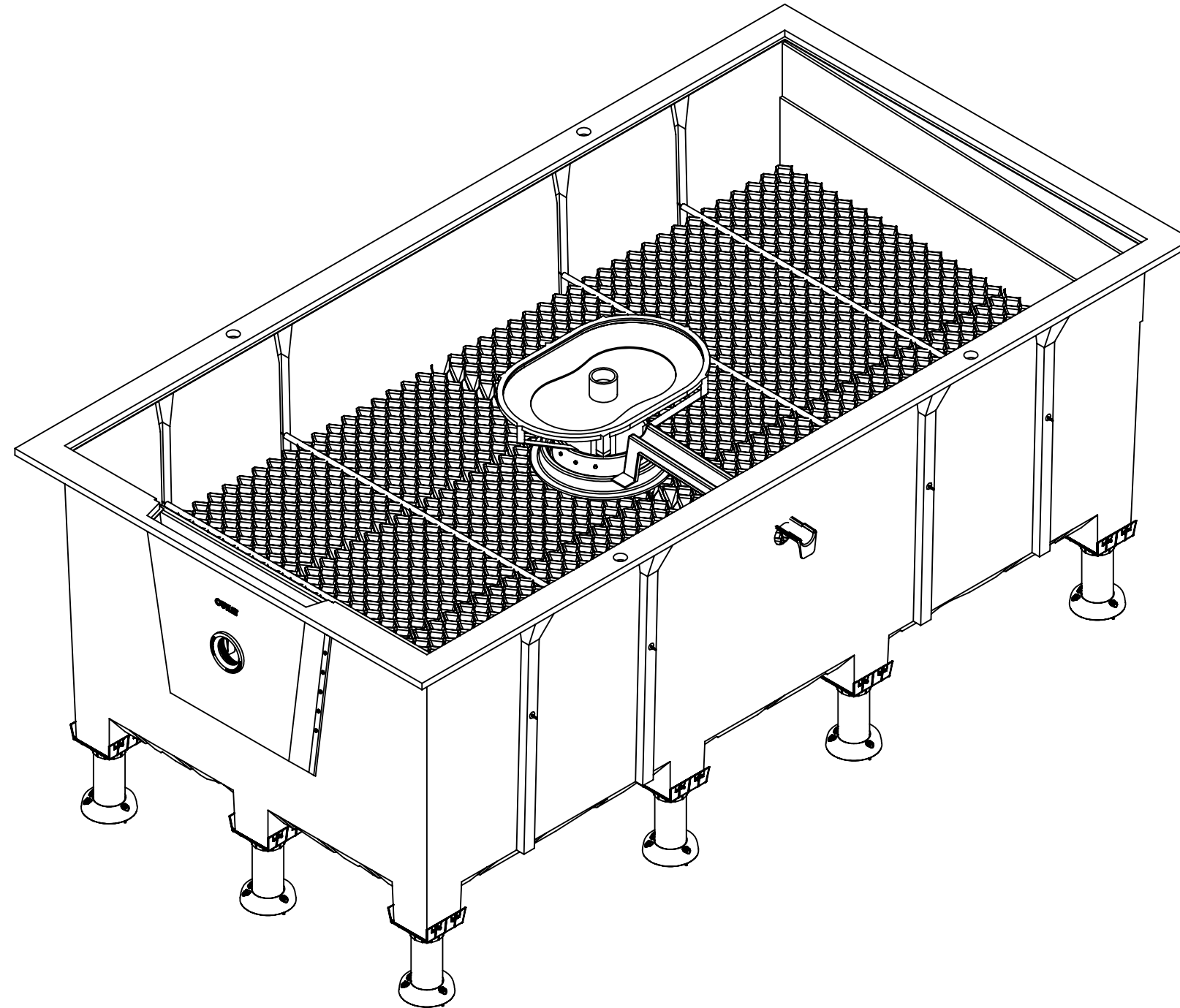

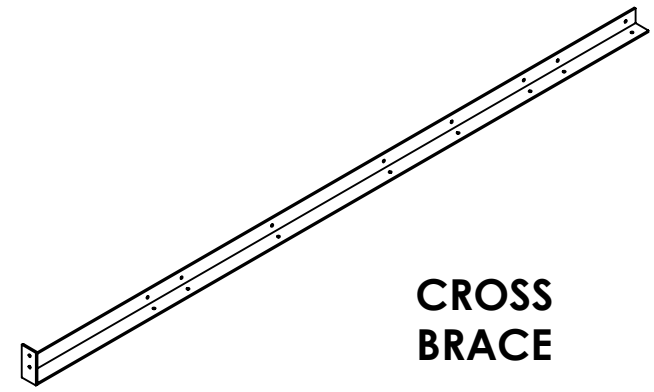
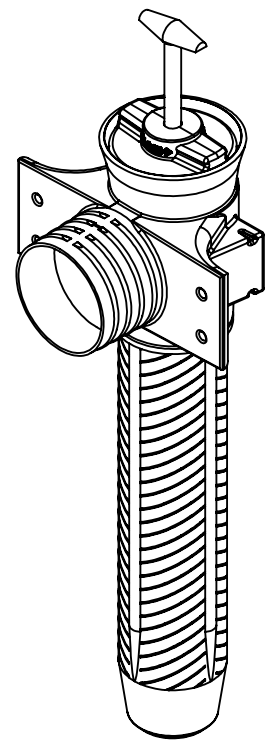
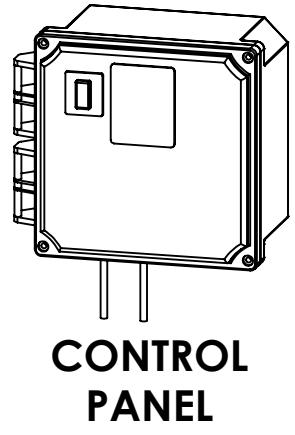
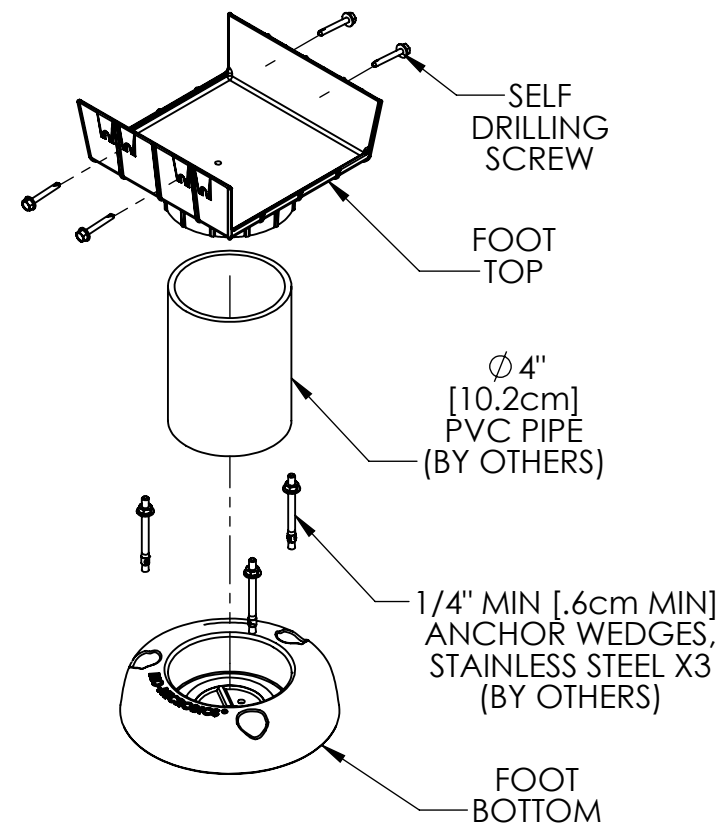
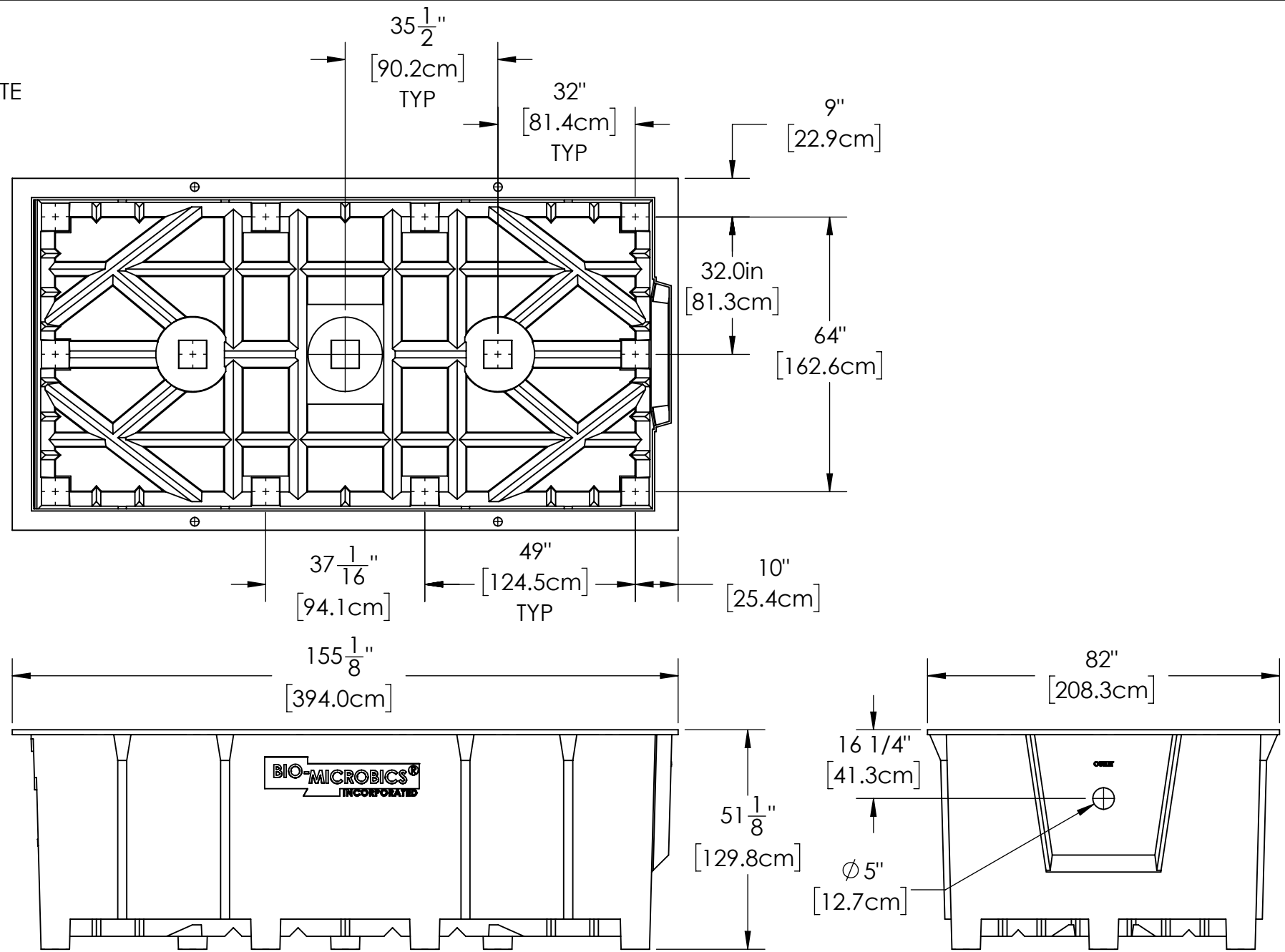
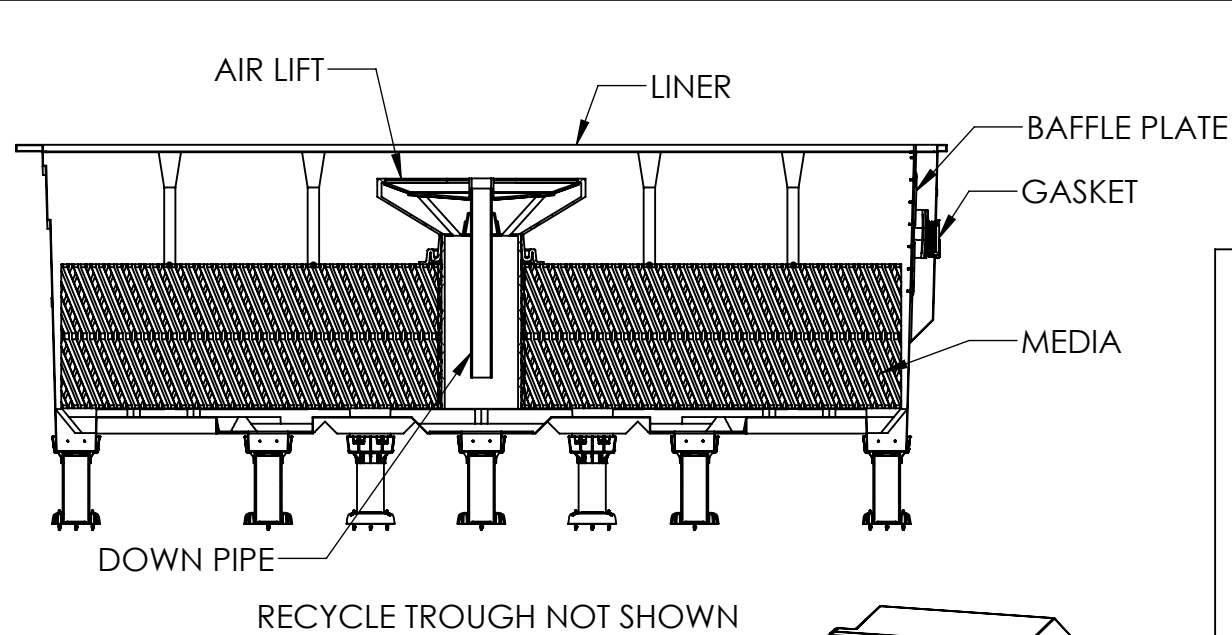


REVISIONS		
REV.	DESCRIPTION	DATE
G	UPDATED TO REFLECT CURRENT STANDARDS	5/4/2021



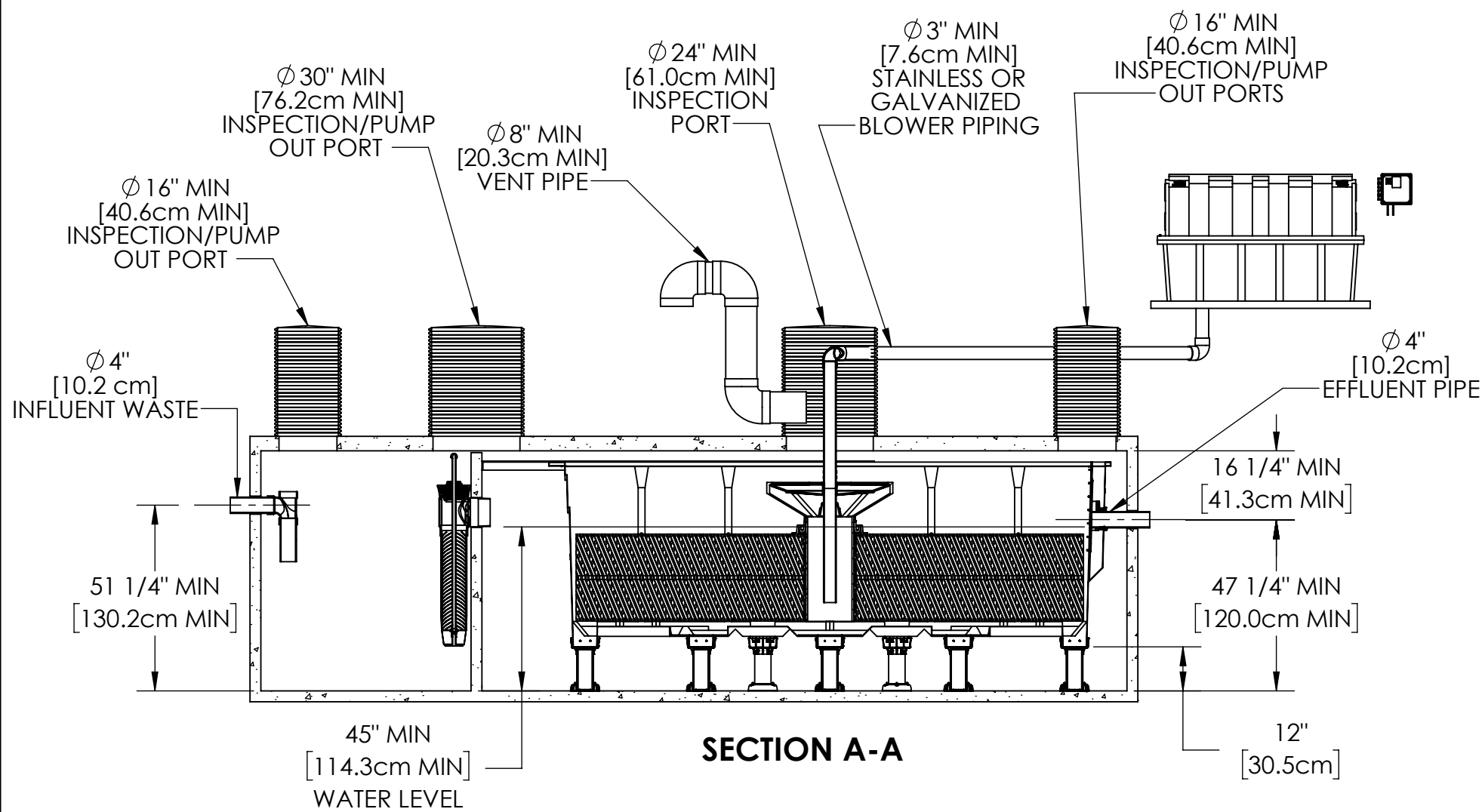
HighStrengthFAST® 4.5

<p>PROPRIETARY AND CONFIDENTIAL</p> <p>THE INFORMATION CONTAINED IN THIS DRAWING IS THE SOLE PROPERTY OF BIOMICROBICS, INC.. ANY REPRODUCTION IN PART OR AS A WHOLE WITHOUT THE WRITTEN PERMISSION OF BIOMICROBICS, INC. IS PROHIBITED.</p> <p>DO NOT SCALE DRAWING</p>	<p>UNLESS OTHERWISE SPECIFIED DIMENSIONS ARE IN INCHES AND TOLERANCES ARE AS FOLLOWS</p> <p>X° ± 1° X ± .50 XX ± .25</p>		
	<p>DRAWN BY: ESG</p>		
	<p>SHEET 1 OF 5</p>	<p>DATE: 3/14/2022</p>	<p>APPROVED BY: MSH</p>
<p>SCALE: 1:32</p>	<p>SIZE: B</p>	<p>APPROVED DATE: 3/14/2022</p>	<p>PART NUMBER 600-FINHSF4.5</p>



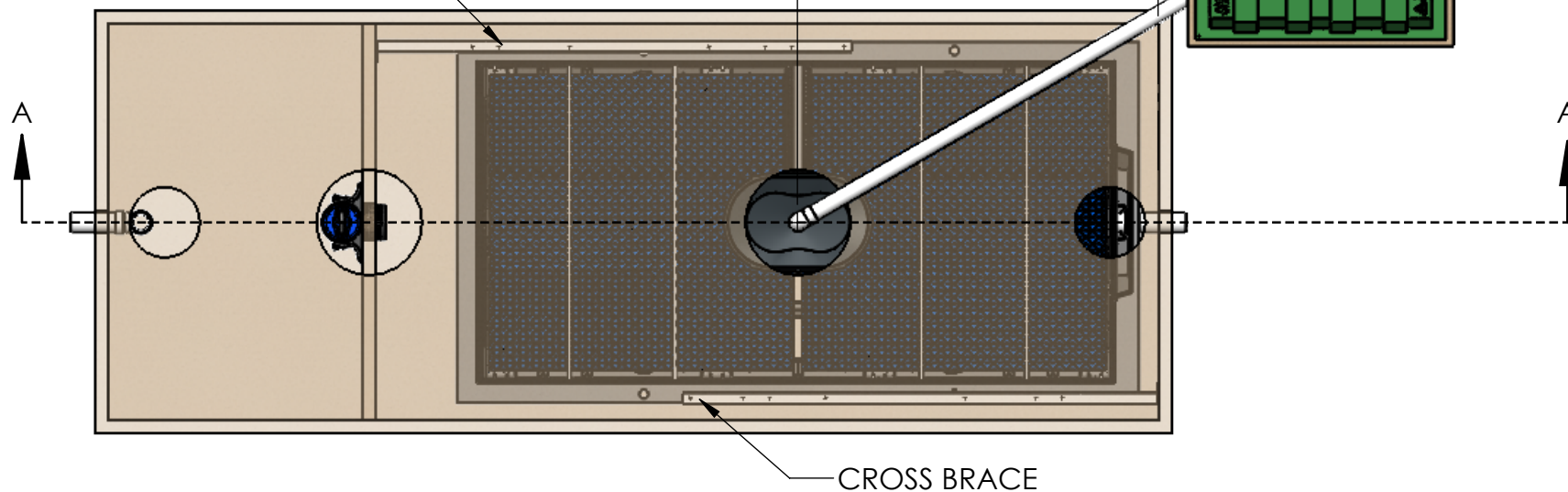
NOTES:
 1. ITEMS ARE DEPICTIONS AND MAY VARY IN APPEARANCE.

PROPRIETARY AND CONFIDENTIAL THE INFORMATION CONTAINED IN THIS DRAWING IS THE SOLE PROPERTY OF BIOMICROBICS, INC.. ANY REPRODUCTION IN PART OR AS A WHOLE WITHOUT THE WRITTEN PERMISSION OF BIOMICROBICS, INC. IS PROHIBITED. DO NOT SCALE DRAWING		UNLESS OTHERWISE SPECIFIED DIMENSIONS ARE IN INCHES AND TOLERANCES ARE AS FOLLOWS X° ± 1° .X ± .50 .XX ± .25		
SHEET 2 OF 5		DRAWN BY: ESG DATE: 3/14/2022 APPROVED BY: MSH		DESCRIPTION HIGHSTRENGTHFAST 4.5 UNIT DETAILS
SCALE: N/A	SIZE: B	APPROVED DATE: 3/14/2022	PART NUMBER 600-FINHSF4.5	REV G

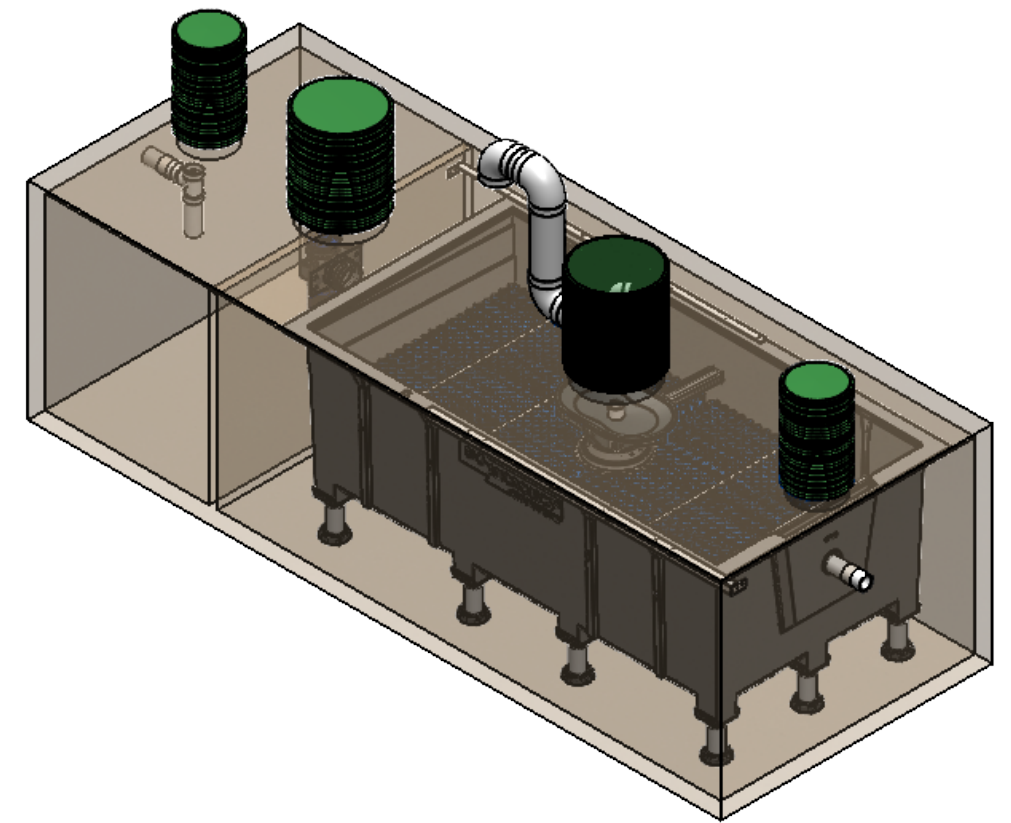


CROSS BRACE

82" MIN
[208.3cm MIN]




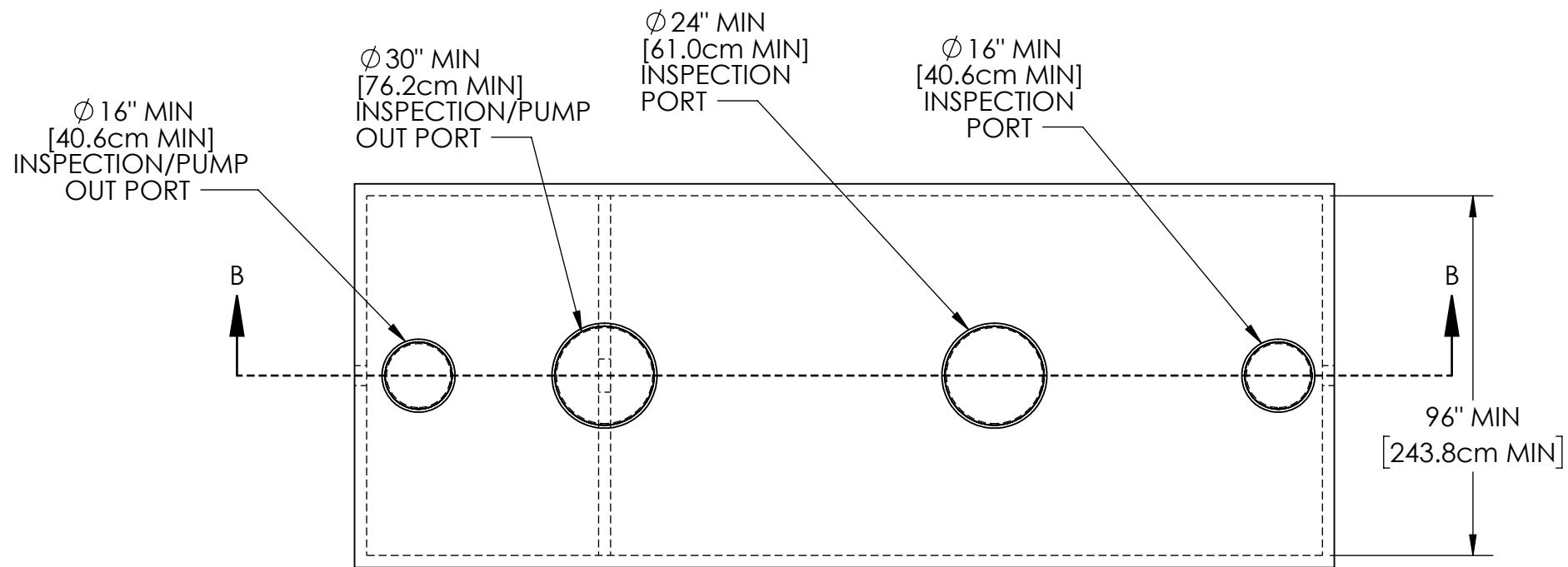
CROSS BRACE



NOTES:

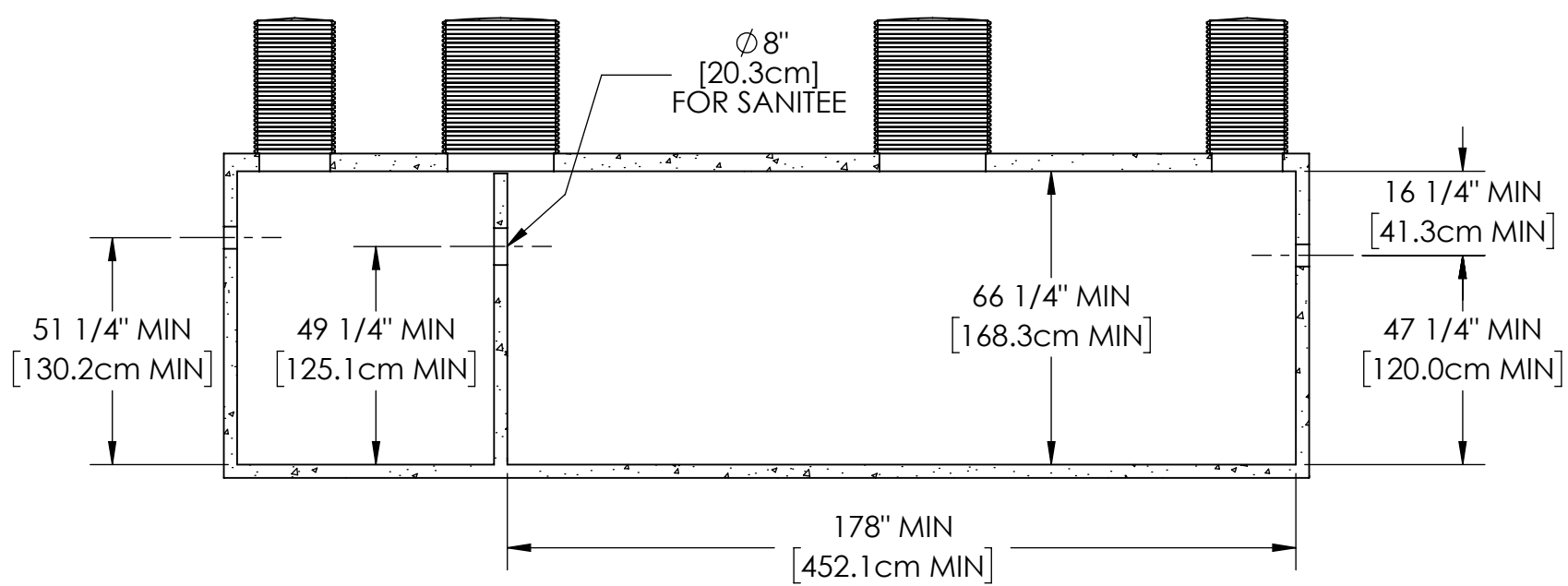
1. AIRLINE PIPING TO FAST® SHOULD NOT EXCEED 100 FT (30M) TOTAL LENGTH AND SHOULD HAVE A MAXIMUM OF 4 ELBOWS IN THE PIPING SYSTEM. FOR DISTANCES GREATER THAN 100 FT (30M) CONSULT FACTORY.
2. IF LESS THAN THE SPECIFIED MINIMUMS ARE CONSIDERED NECESSARY, CONSULT FACTORY FOR GUIDANCE.
3. SPECIALIZED TREATMENT NEEDS MAY REQUIRE SPECIFIC FEATURES TO BE INCORPORATED INTO THE DESIGN. CONSULT FACTORY FOR GUIDANCE.
4. SOME ITEMS REMOVED FOR CLARITY.
5. MINIMUM OF 2.0in [5.1cm] INVERT IS NECESSARY BETWEEN THE INLET AND OUTLET OF EACH ZONE FOR GRAVITY FLOW SYSTEMS.
6. THE CROSS BRACES SHOULD BE INSTALLED TO CONNECT THE LINER TO THE SIDE OF THE TANK, PREVENTING LATERAL MOVEMENT.

<p>PROPRIETARY AND CONFIDENTIAL</p> <p>THE INFORMATION CONTAINED IN THIS DRAWING IS THE SOLE PROPERTY OF BIOMICROBICS, INC.. ANY REPRODUCTION IN PART OR AS A WHOLE WITHOUT THE WRITTEN PERMISSION OF BIOMICROBICS, INC. IS PROHIBITED.</p> <p>DO NOT SCALE DRAWING</p>	<p>UNLESS OTHERWISE SPECIFIED DIMENSIONS ARE IN INCHES AND TOLERANCES ARE AS FOLLOWS</p> <p>X° ± 1°</p> <p>.X ± .50</p> <p>.XX ± .25</p>	 <p>BETTER WATER. BETTER WORLD.</p>
	<p>DRAWN BY: ESG</p> <p>DATE: 3/14/2022</p>	
<p>SHEET 3 OF 5</p>	<p>APPROVED BY: MSH</p> <p>APPROVED DATE: 3/14/2022</p>	<p>PART NUMBER</p> <p>600-FINHSF4.5</p>
<p>SCALE: 1:48</p>	<p>SIZE: B</p>	<p>REV</p> <p>G</p>



SETTLING ZONE
2250 GALLON MIN [8517 L MIN]

TREATMENT ZONE
4220 GALLON MIN [15974 L MIN]

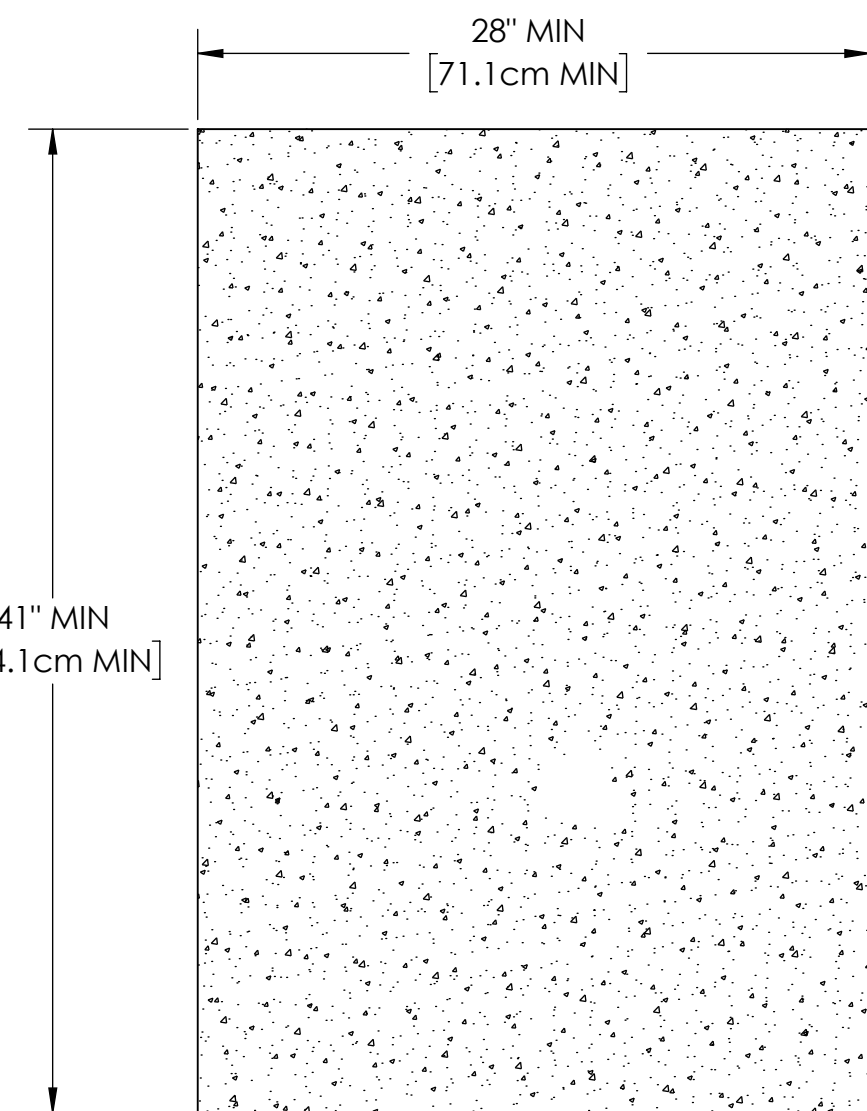
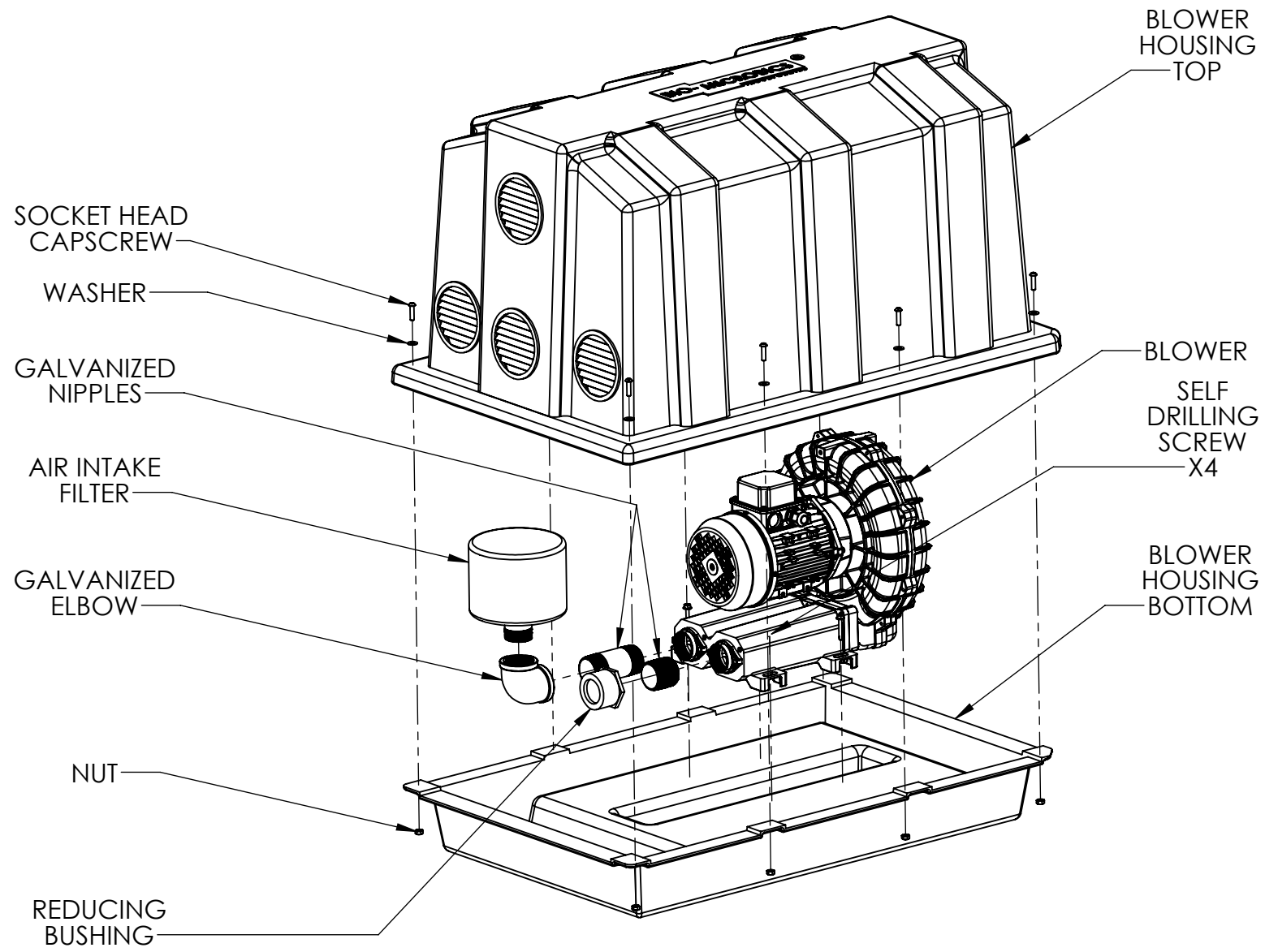


SECTION B-B

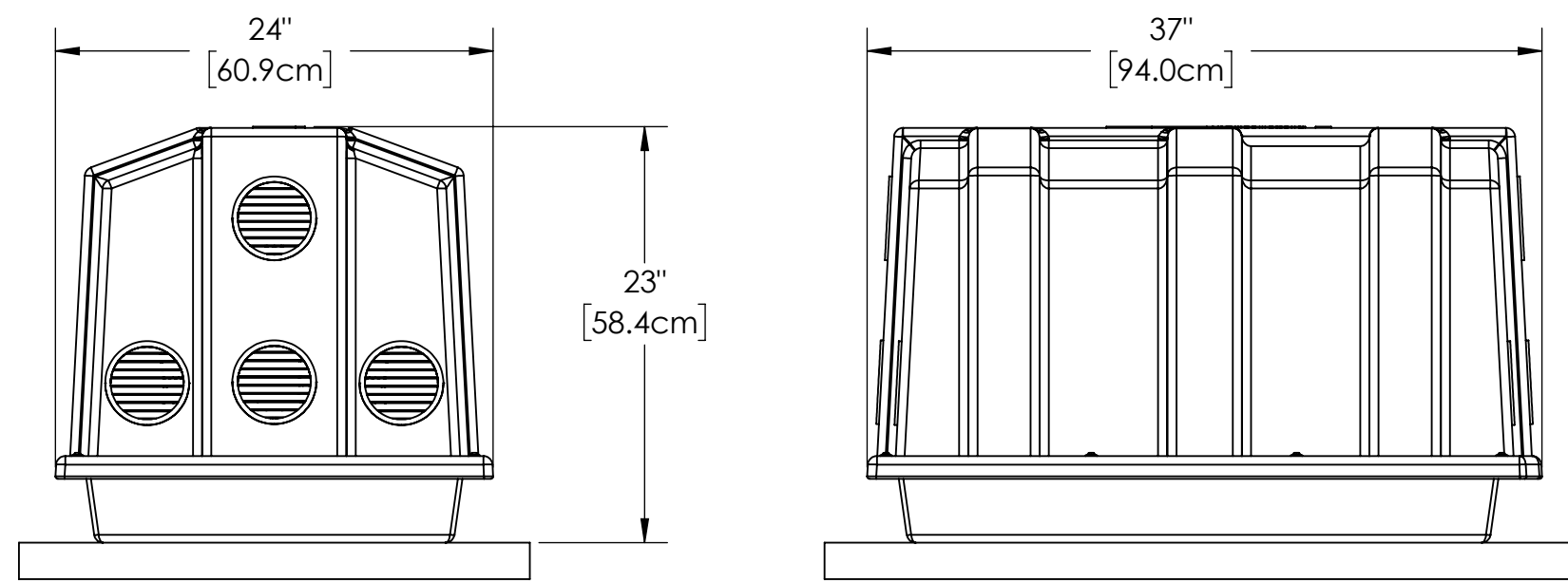
NOTES:

1. **MINIMUM DIMENSIONS DO NOT DETERMINE OVERALL TANK CAPACITY.**
2. INSPECTION/PUMPOUT PORT LOCATIONS MAY VARY DEPENDING ON TANK CONSTRUCTION.
3. ALL APPURTENANCES TO FAST® (E.G. TANKS, ACCESS PORTS, ELECTRICAL, ETC.) MUST CONFORM TO ALL APPLICABLE COUNTY, STATE, PROVINCE, AND LOCAL PLUMBING AND ELECTRICAL CODES.
4. PUMP OUT ACCESS SHALL BE ADEQUATE TO THOROUGHLY CLEAN OUT BOTH ZONES.
5. IF LESS THAN THE SPECIFIED MINIMUMS ARE CONSIDERED NECESSARY, CONSULT FACTORY FOR GUIDANCE.
6. SPECIALIZED TREATMENT NEEDS MAY REQUIRE SPECIFIC FEATURES TO BE INCORPORATED INTO THE DESIGN. CONSULT FACTORY FOR GUIDANCE.
7. MINIMUM OF 2.0in [5.1cm] INVERT IS NECESSARY BETWEEN THE INLET AND OUTLET OF EACH ZONE FOR GRAVITY FLOW SYSTEMS.
8. TANK VOLUMES MAY VARY BY APPLICATION AND JURISDICTION.
9. TANKS OF VARYING SHAPE AND MATERIAL CAN BE USED WITHIN SPECIFIED MINIMUMS.
10. TANK SET UP MAY BE DIFFERENT THAN SHOWN, i.e., SEPARATE SETTLING AND TREATMENT TANKS.

<p>PROPRIETARY AND CONFIDENTIAL</p> <p>THE INFORMATION CONTAINED IN THIS DRAWING IS THE SOLE PROPERTY OF BIOMICROBICS, INC.. ANY REPRODUCTION IN PART OR AS A WHOLE WITHOUT THE WRITTEN PERMISSION OF BIOMICROBICS, INC. IS PROHIBITED.</p> <p>DO NOT SCALE DRAWING</p>	<p>UNLESS OTHERWISE SPECIFIED DIMENSIONS ARE IN INCHES AND TOLERANCES ARE AS FOLLOWS</p> <p>X° ± 1° .X ± .50 .XX ± .25</p>		
	<p>DRAWN BY: ESG</p> <p>DATE: 3/14/2022</p>		
<p>SHEET 4 OF 5</p>	<p>APPROVED BY: MSH</p>	<p>PART NUMBER 600-FINHSF4.5</p>	
<p>SCALE: 1:40</p>	<p>SIZE: B</p>	<p>APPROVED DATE: 3/14/2022</p>	<p>REV G</p>



BLOWER PAD



NOTES:

1. SOME MICROFAST CONFIGURATIONS MAY REQUIRE DIFFERENT BLOWER HOUSINGS.
2. BLOWER MUST BE LOCATED ABOVE FLOOD LEVELS.

PROPRIETARY AND CONFIDENTIAL THE INFORMATION CONTAINED IN THIS DRAWING IS THE SOLE PROPERTY OF BIOMICROBICS, INC.. ANY REPRODUCTION IN PART OR AS A WHOLE WITHOUT THE WRITTEN PERMISSION OF BIOMICROBICS, INC. IS PROHIBITED. DO NOT SCALE DRAWING	UNLESS OTHERWISE SPECIFIED DIMENSIONS ARE IN INCHES AND TOLERANCES ARE AS FOLLOWS $X^{\circ} \pm 1^{\circ}$ $.X \pm .50$ $.XX \pm .25$	
	DRAWN BY: ESG	
SHEET 5 OF 5	DATE: 3/14/2022	PART NUMBER 600-FINHSF4.5
SCALE: N/A	APPROVED BY: MSH	REV G
SIZE: B	APPROVED DATE: 3/14/2022	