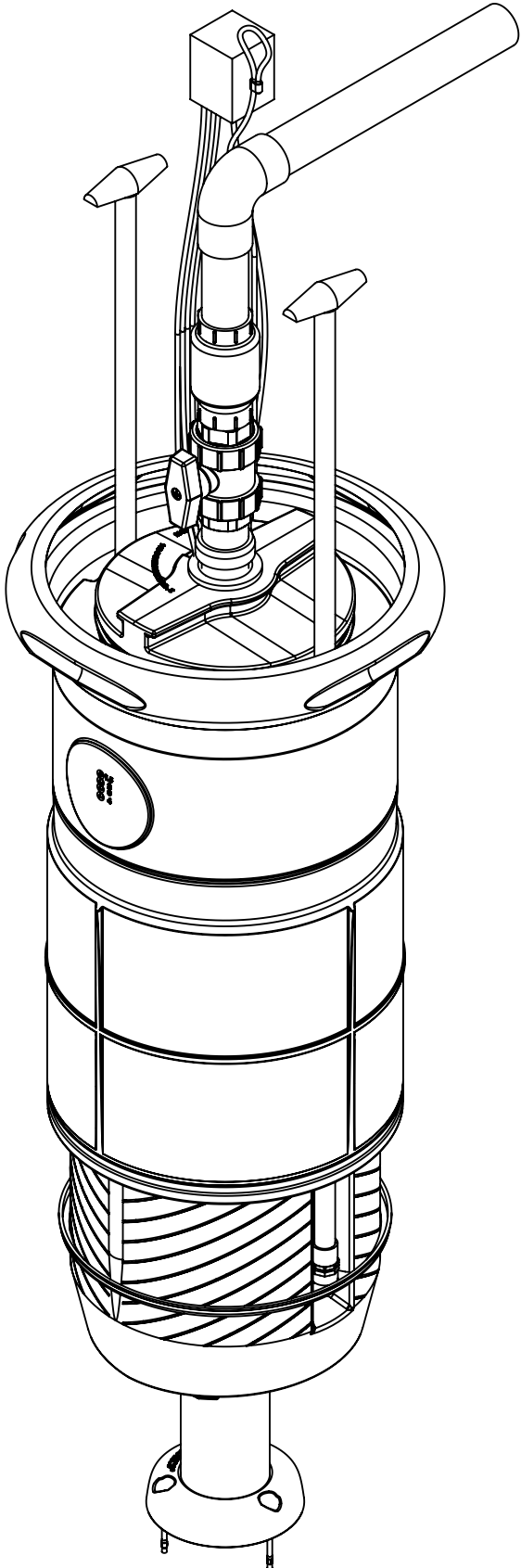

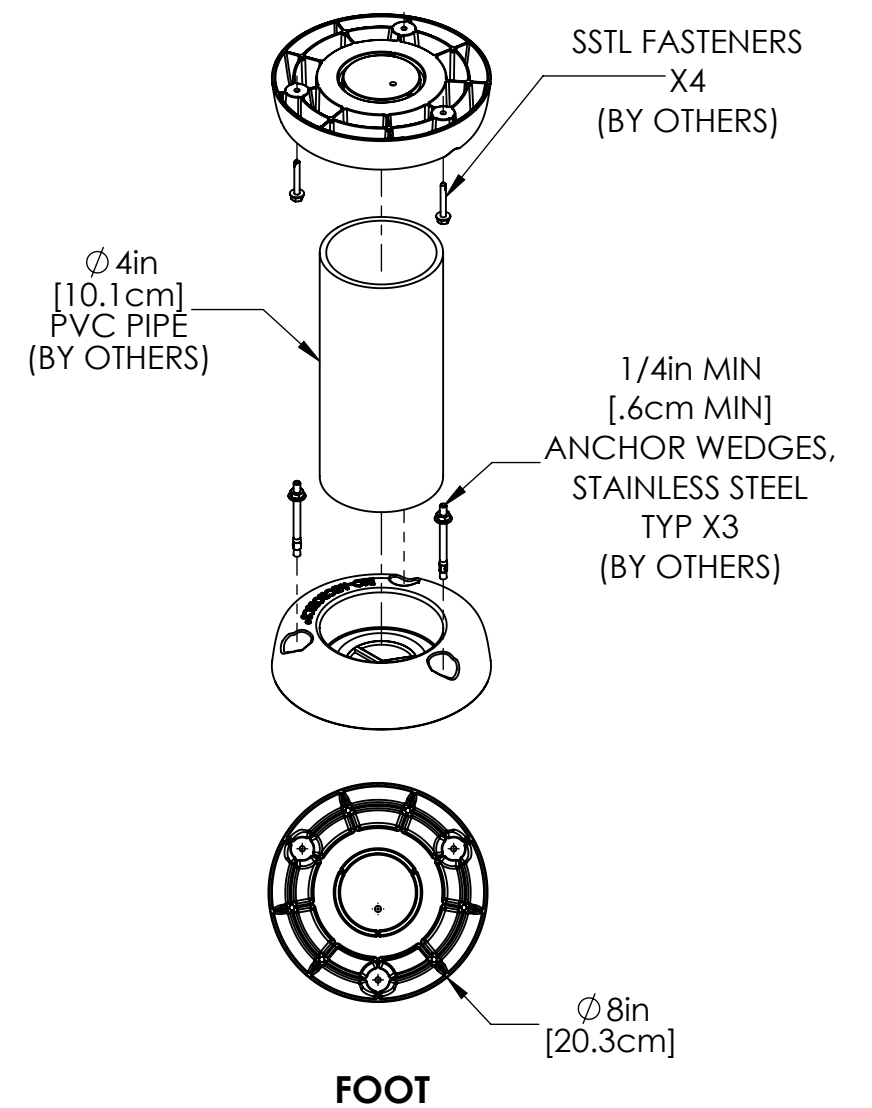
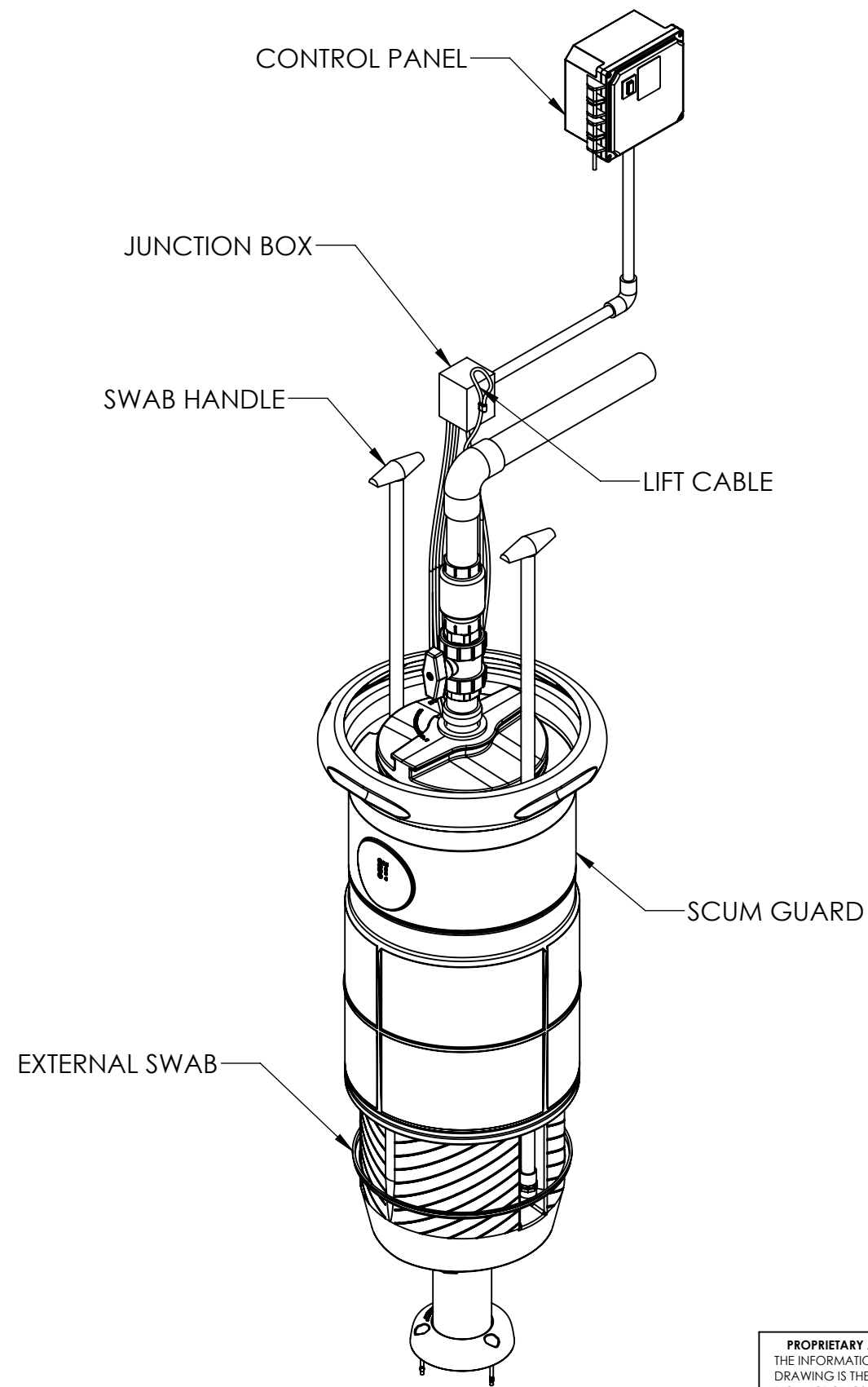
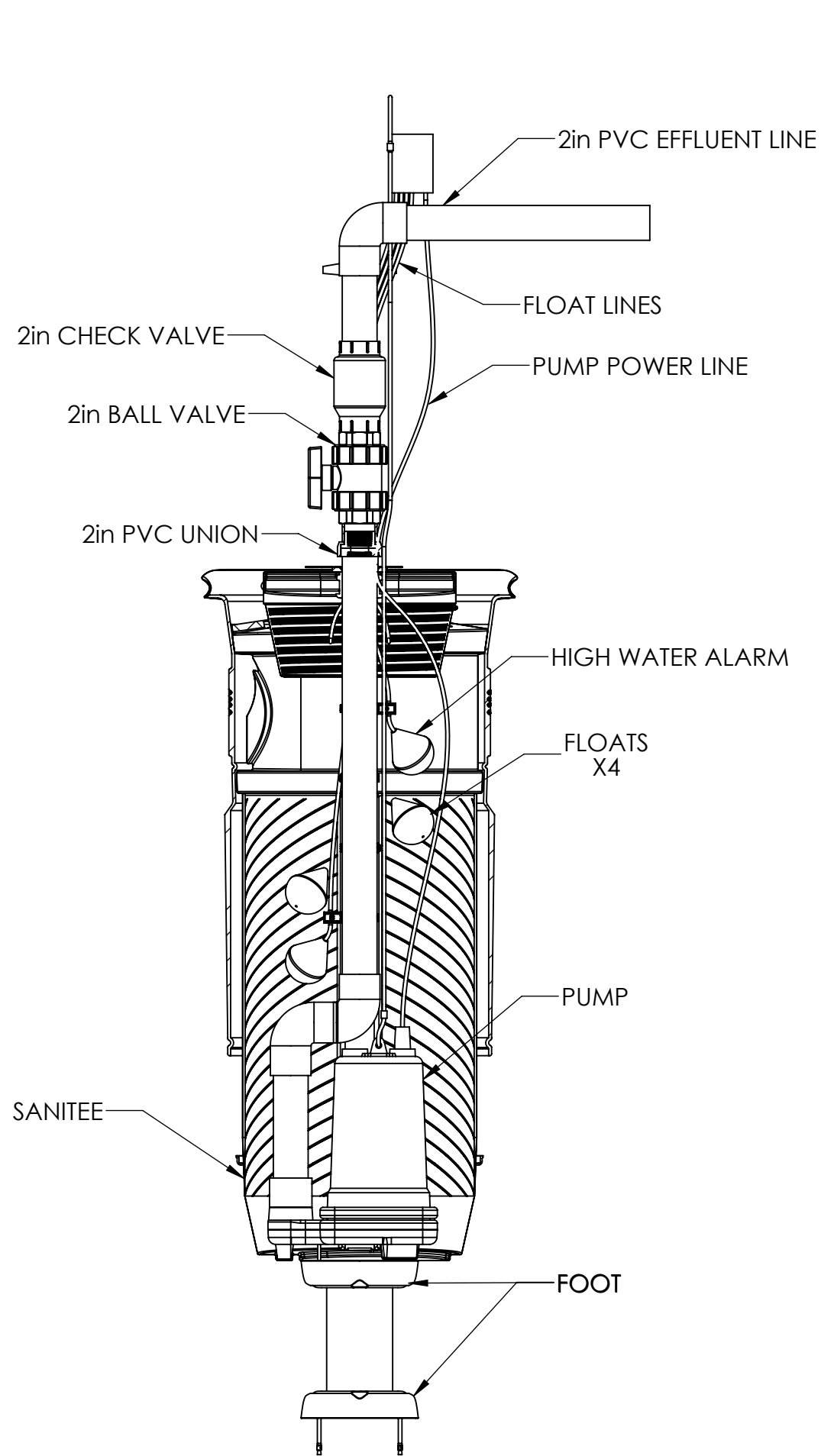



| REVISIONS | | |
|-----------|---------------------|-----------|
| REV. | DESCRIPTION | DATE |
| A | RELEASED TO CURRENT | 7/28/2021 |

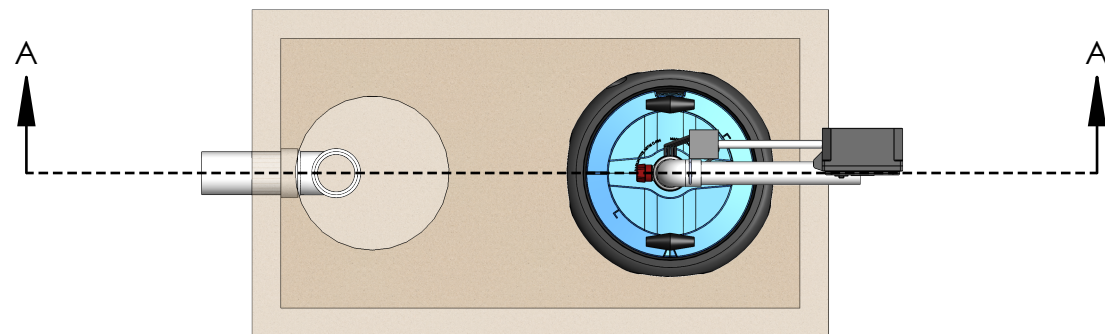
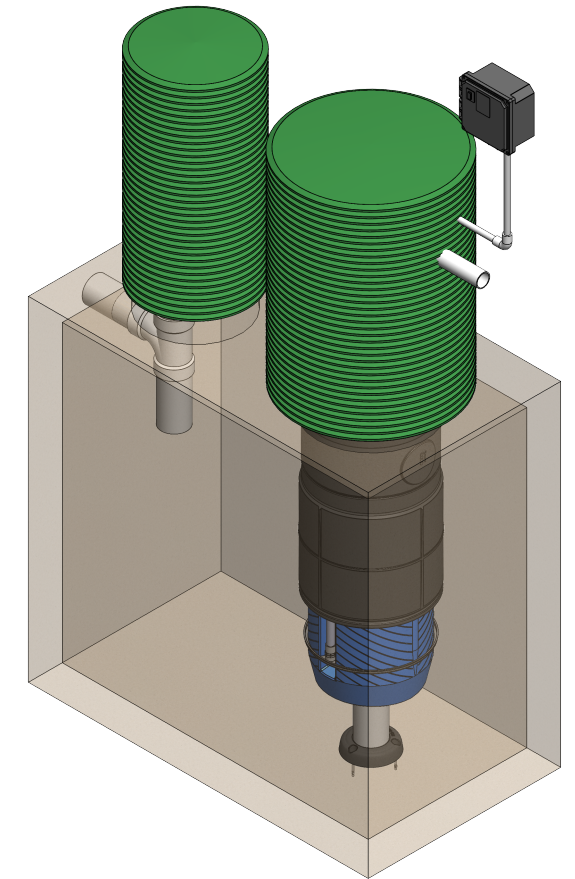
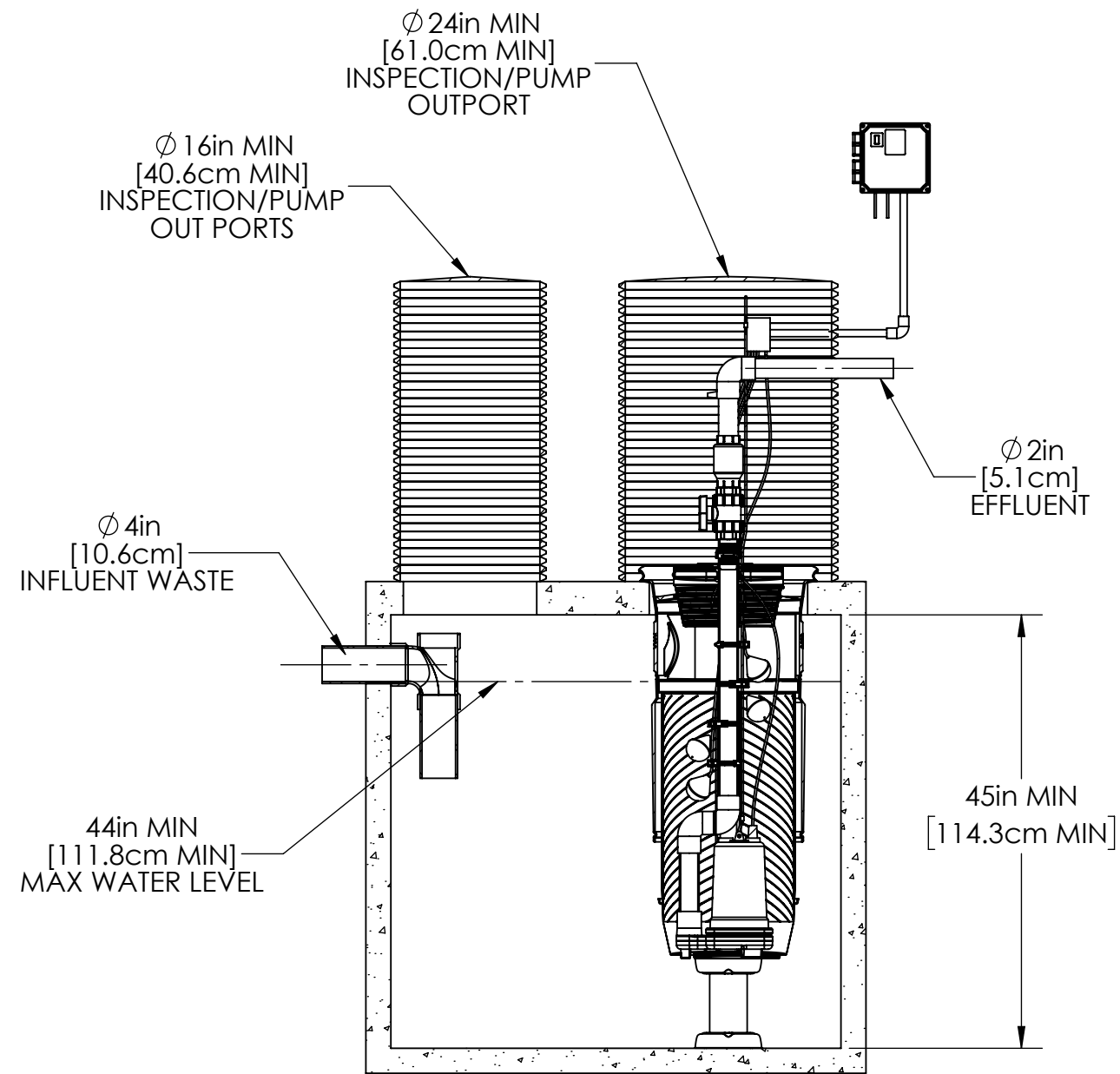



BioSTEP

| | | | | | |
|--|--------------------|---|---|---|------------------|
| <p>PROPRIETARY AND CONFIDENTIAL THE INFORMATION CONTAINED IN THIS DRAWING IS THE SOLE PROPERTY OF BIO-MICROBICS, INC.. ANY REPRODUCTION IN PART OR AS A WHOLE WITHOUT THE WRITTEN PERMISSION OF BIO-MICROBICS, INC. IS PROHIBITED.</p> | | <p>UNLESS OTHERWISE SPECIFIED DIMENSIONS ARE IN INCHES AND TOLERANCES ARE AS FOLLOWS $X^{\circ} \pm 1^{\circ}$ $.X \pm .50$ $.XX \pm .25$</p> | |  | |
| <p>DO NOT SCALE DRAWING</p> | | <p>DRAWN BY: DFB</p> | <p>DESCRIPTION BioSTEP</p> | | |
| <p>SHEET 1 OF 7</p> | | <p>DATE: 10/13/2023</p> | <p>PART NUMBER 500-BIOSTEP</p> | | |
| <p>SCALE: N/A</p> | <p>SIZE: B</p> | <p>APPROVED BY: MSH</p> | <p>APPROVED BY DATE: 10/13/2023</p> | | <p>REV B</p> |



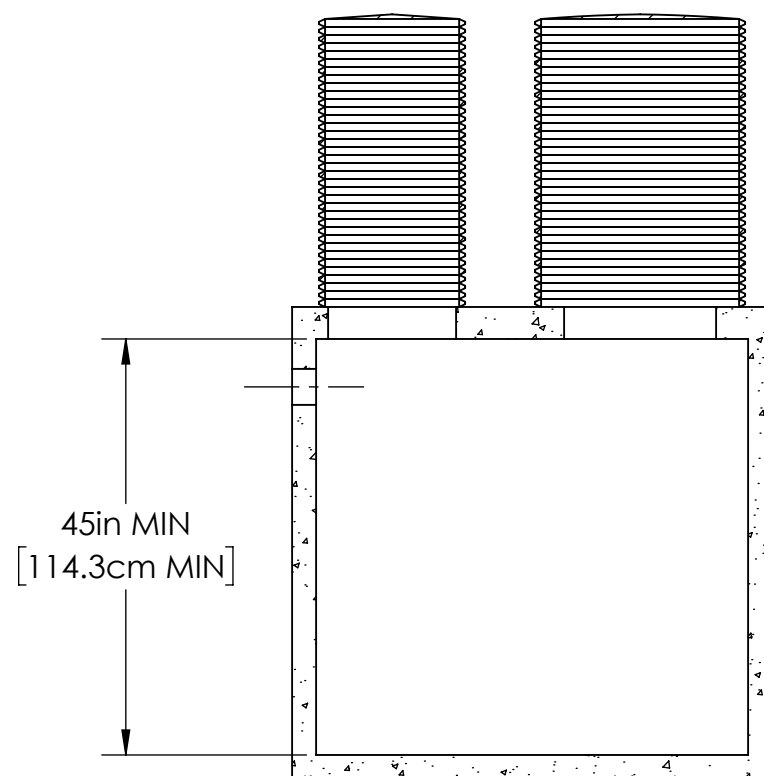
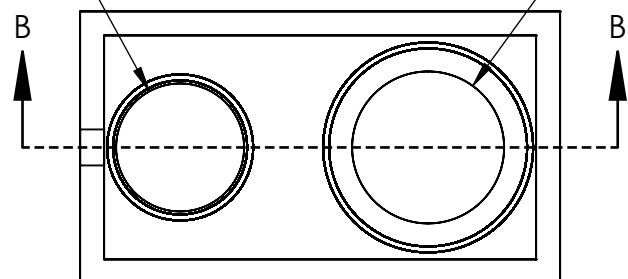
| | | | | | |
|---|---------|---|--|---|--|
| <p>PROPRIETARY AND CONFIDENTIAL THE INFORMATION CONTAINED IN THIS DRAWING IS THE SOLE PROPERTY OF BIO-MICROBICS, INC.. ANY REPRODUCTION IN PART OR AS A WHOLE WITHOUT THE WRITTEN PERMISSION OF BIO-MICROBICS, INC. IS PROHIBITED.</p> | | <p>UNLESS OTHERWISE SPECIFIED DIMENSIONS ARE IN INCHES AND TOLERANCES ARE AS FOLLOWS X° ± 1° .X ± .50 .XX ± .25</p> | |  BETTER WATER. BETTER WORLD.™ | |
| DO NOT SCALE DRAWING | | DRAWN BY: DFB | | DESCRIPTION: COMPONENTS | |
| SHEET 2 OF 7 | | DATE: 10/13/2023 | | PART NUMBER | |
| SCALE: N/A | SIZE: B | APPROVED BY: MSH | | 500-BIOSTEP | |
| | | APPROVED BY DATE: 10/13/2023 | | REV: B | |




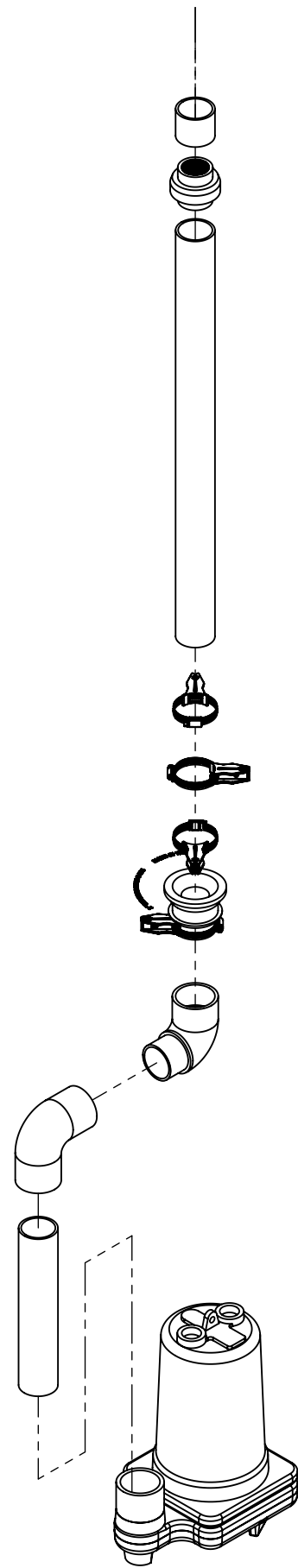
| | | | | | |
|---|--------------------|--|--|--|--|
| <p>PROPRIETARY AND CONFIDENTIAL THE INFORMATION CONTAINED IN THIS DRAWING IS THE SOLE PROPERTY OF BIO-MICROBICS, INC.. ANY REPRODUCTION IN PART OR AS A WHOLE WITHOUT THE WRITTEN PERMISSION OF BIO-MICROBICS, INC. IS PROHIBITED.</p> <p>DO NOT SCALE DRAWING</p> | | <p>UNLESS OTHERWISE SPECIFIED DIMENSIONS ARE IN INCHES AND TOLERANCES ARE AS FOLLOWS X° ±1° .X ± .50 .XX ± .25</p> | |  <p>BETTER WATER. BETTER WORLD.™</p> | |
| | | <p>DRAWN BY: DFB</p> | | | |
| <p>SHEET 3 OF 7</p> | | <p>DATE: 10/13/2023</p> | | <p>PART NUMBER 500-BIOSTEP</p> | |
| | | <p>APPROVED BY: MSH</p> | | | |
| <p>SCALE: N/A</p> | <p>SIZE: B</p> | <p>APPROVED BY DATE: 10/13/2023</p> | | | |

ϕ 16.00in MIN
 [40.6cm MIN]
 INSPECTION/PUMP
 OUT PORT

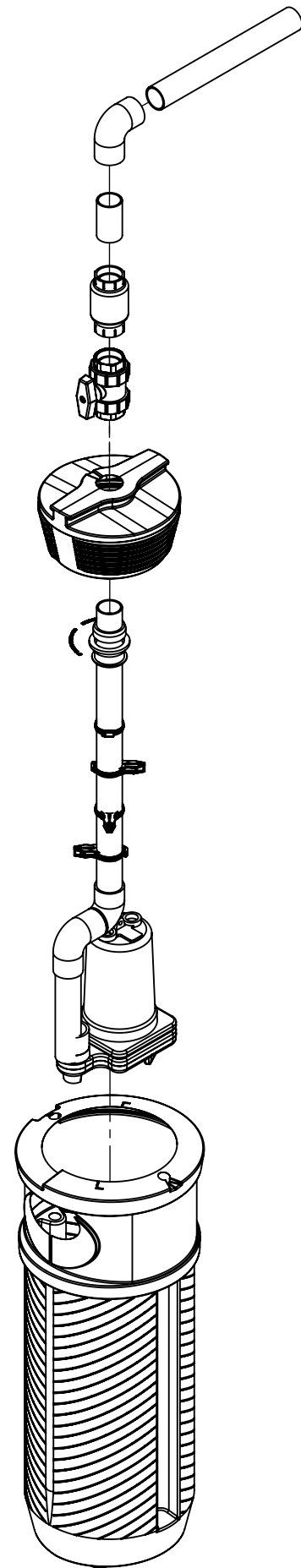
ϕ 19.00in MIN
 [48.3cm MIN]
 OPENING FOR TANK
 INSTALATION




| | | | | |
|---|-------------------|---|---|--|
| PROPRIETARY AND CONFIDENTIAL THE INFORMATION CONTAINED IN THIS DRAWING IS THE SOLE PROPERTY OF BIO-MICROBICS, INC.. ANY REPRODUCTION IN PART OR AS A WHOLE WITHOUT THE WRITTEN PERMISSION OF BIO-MICROBICS, INC. IS PROHIBITED. DO NOT SCALE DRAWING | | UNLESS OTHERWISE SPECIFIED DIMENSIONS ARE IN INCHES AND TOLERANCES ARE AS FOLLOWS $X^{\circ} \pm 1^{\circ}$ $.X \pm .50$ $.XX \pm .25$ |  | |
| | | DRAWN BY: DFB | | |
| SHEET 4 OF 7 | | DATE: 10/13/2023 | PART NUMBER 500-BIOSTEP | |
| | | APPROVED BY: MSH | | |
| SCALE: N/A | SIZE: B | APPROVED BY DATE: 10/13/2023 | | |

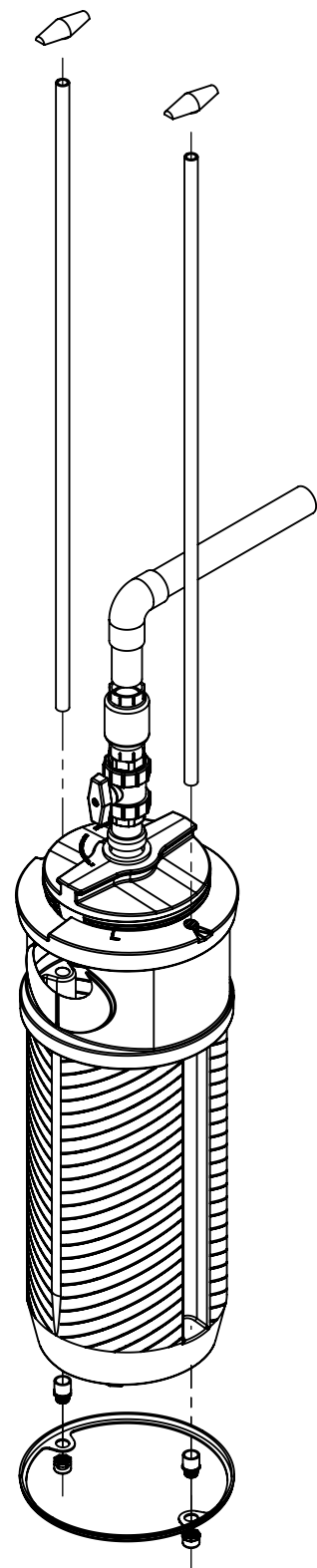


STEP 1

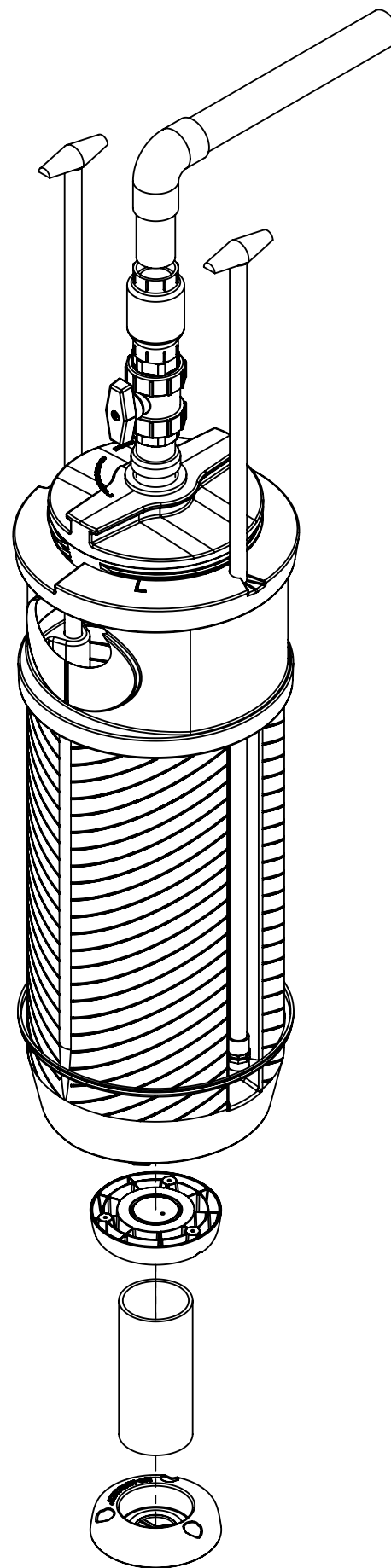


STEP 2

| | | | | | |
|--|--------------------|---|--|---|------------------|
| <p>PROPRIETARY AND CONFIDENTIAL THE INFORMATION CONTAINED IN THIS DRAWING IS THE SOLE PROPERTY OF BIO-MICROBICS, INC.. ANY REPRODUCTION IN PART OR AS A WHOLE WITHOUT THE WRITTEN PERMISSION OF BIO-MICROBICS, INC. IS PROHIBITED.</p> <p>DO NOT SCALE DRAWING</p> | | <p>UNLESS OTHERWISE SPECIFIED DIMENSIONS ARE IN INCHES AND TOLERANCES ARE AS FOLLOWS $X^{\circ} \pm 1^{\circ}$ $.X \pm .50$ $.XX \pm .25$</p> | |  | |
| | | <p>DRAWN BY: DFB</p> <p>DATE: 10/13/2023</p> | | | |
| <p>SHEET 5 OF 7</p> | | <p>APPROVED BY: MSH</p> | | <p>PART NUMBER</p> | |
| <p>SCALE: N/A</p> | <p>SIZE: B</p> | <p>APPROVED BY DATE: 10/13/2023</p> | | <p>500-BIOSTEP</p> | <p>REV B</p> |

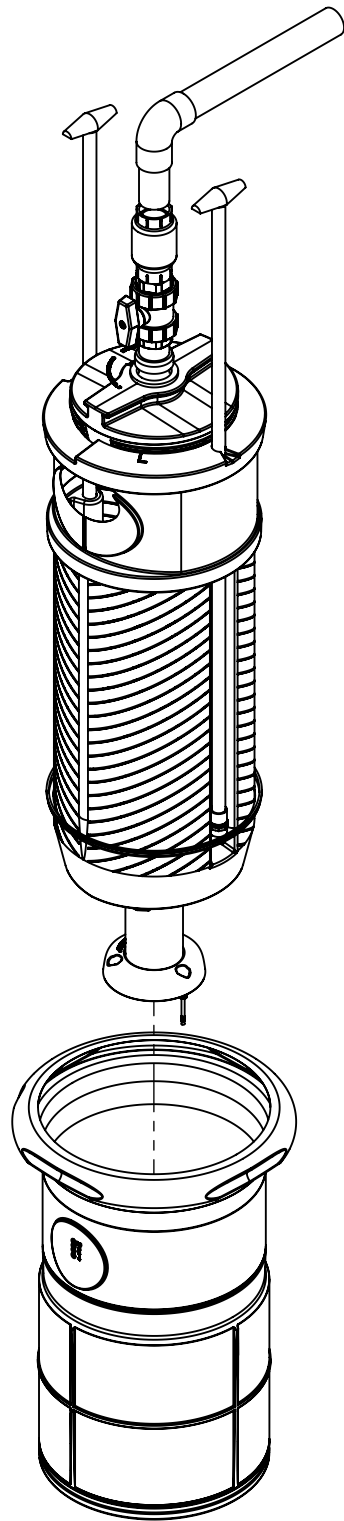


STEP 3

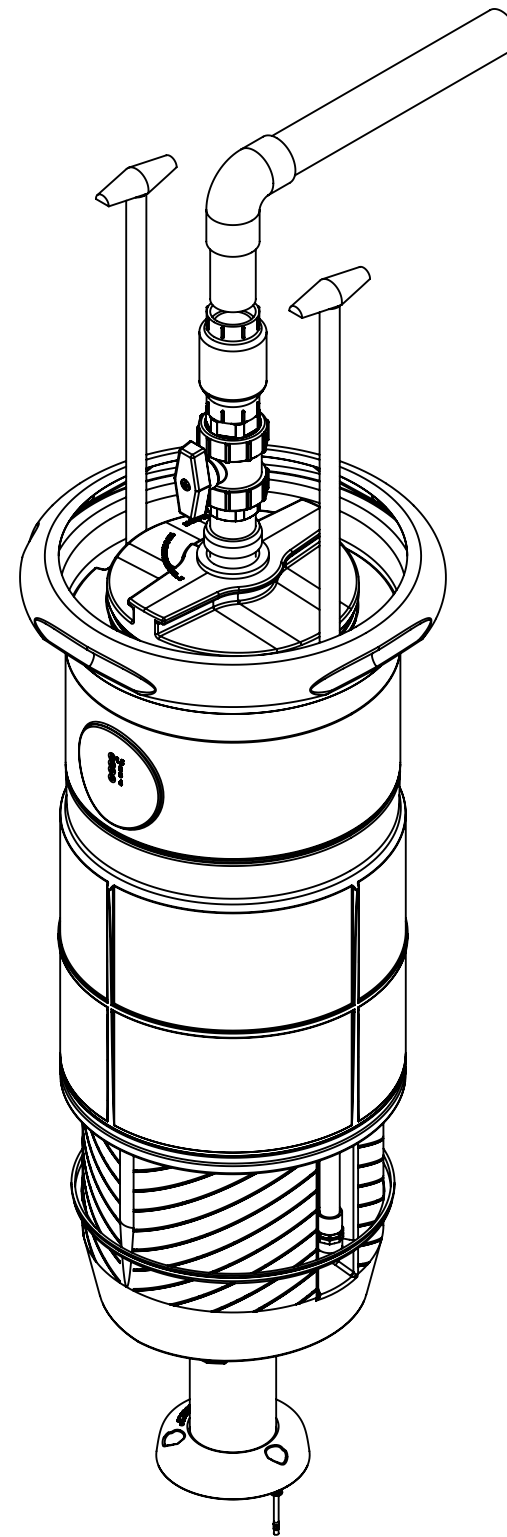


STEP 4

| | | | | | |
|---|--|--|--|--------------------|--|
| <p>PROPRIETARY AND CONFIDENTIAL THE INFORMATION CONTAINED IN THIS DRAWING IS THE SOLE PROPERTY OF BIO-MICROBICS, INC.. ANY REPRODUCTION IN PART OR AS A WHOLE WITHOUT THE WRITTEN PERMISSION OF BIO-MICROBICS, INC. IS PROHIBITED.</p> | | <p>UNLESS OTHERWISE SPECIFIED DIMENSIONS ARE IN INCHES AND TOLERANCES ARE AS FOLLOWS X° ±1° .X ± .50 .XX ± .25</p> | | | |
| <p>DO NOT SCALE DRAWING</p> | | <p>DRAWN BY: DFB</p> | | | |
| <p>SHEET 6 OF 7</p> | | <p>DATE: 10/13/2023</p> | | <p>PART NUMBER</p> | |
| <p>SCALE: N/A</p> | | <p>APPROVED BY: MSH</p> | | <p>500-BIOSTEP</p> | |
| <p>SIZE: B</p> | | <p>APPROVED BY DATE: 10/13/2023</p> | | <p>REV B</p> | |



STEP 5



STEP 6

| | | | | | |
|--|--------------------|---|--|------------------------------------|------------------|
| <p>PROPRIETARY AND CONFIDENTIAL THE INFORMATION CONTAINED IN THIS DRAWING IS THE SOLE PROPERTY OF BIO-MICROBICS, INC.. ANY REPRODUCTION IN PART OR AS A WHOLE WITHOUT THE WRITTEN PERMISSION OF BIO-MICROBICS, INC. IS PROHIBITED.</p> | | <p>UNLESS OTHERWISE SPECIFIED DIMENSIONS ARE IN INCHES AND TOLERANCES ARE AS FOLLOWS $X^{\circ} \pm 1^{\circ}$ $.X \pm .50$ $.XX \pm .25$</p> | | | |
| <p>DO NOT SCALE DRAWING</p> | | <p>DRAWN BY: DFB</p> | | | |
| <p>SHEET 7 OF 7</p> | | <p>DATE: 10/13/2023</p> | | <p>APPROVED BY: MSH</p> | |
| <p>SCALE: N/A</p> | <p>SIZE: B</p> | <p>APPROVED BY DATE: 10/13/2023</p> | | <p>PART NUMBER 500-BIOSTEP</p> | <p>REV B</p> |