
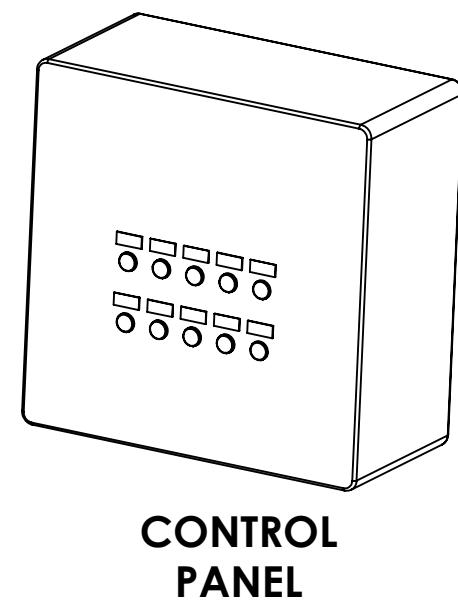
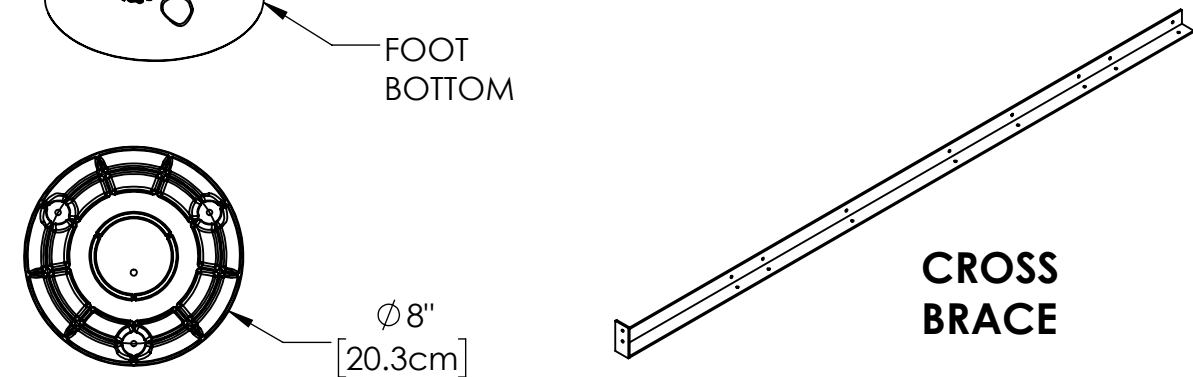
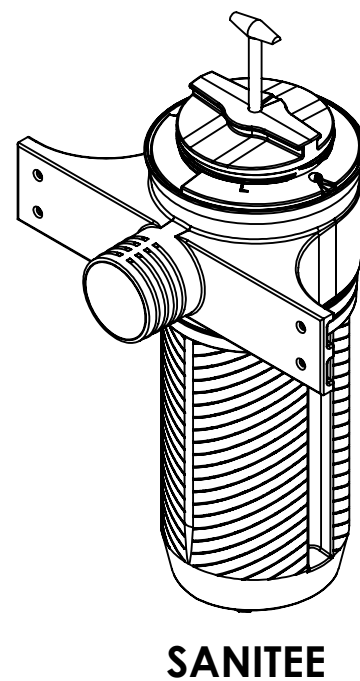
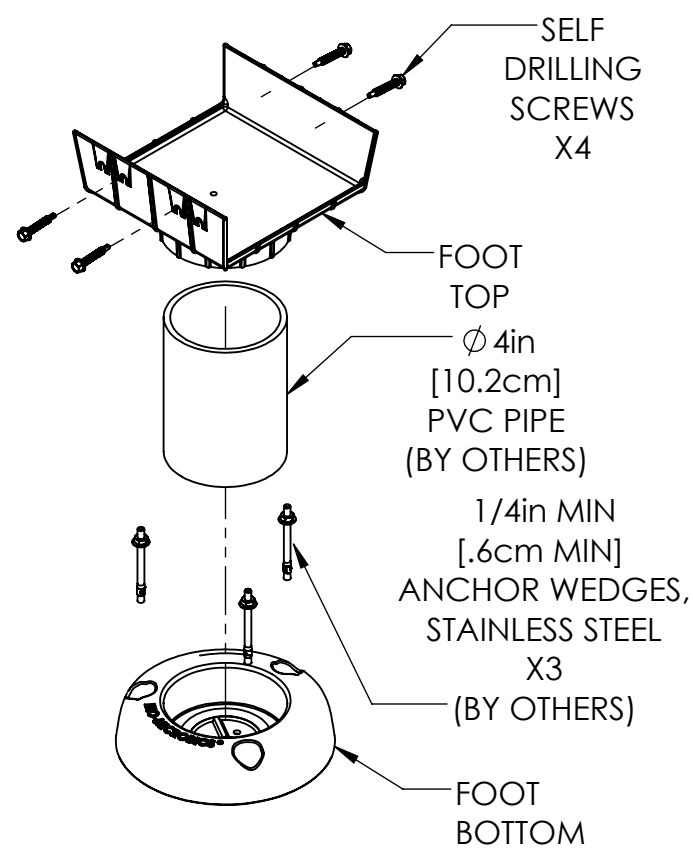
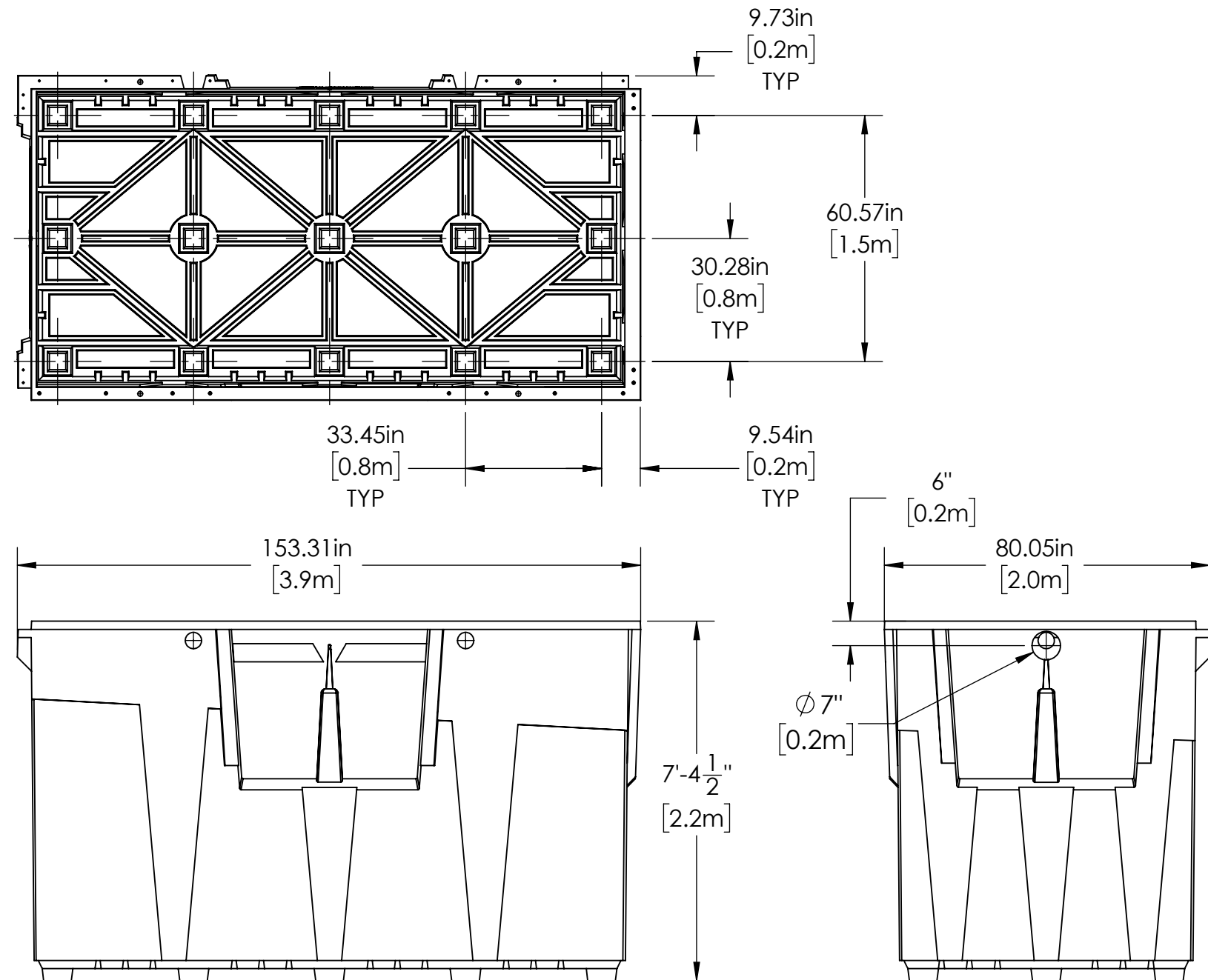
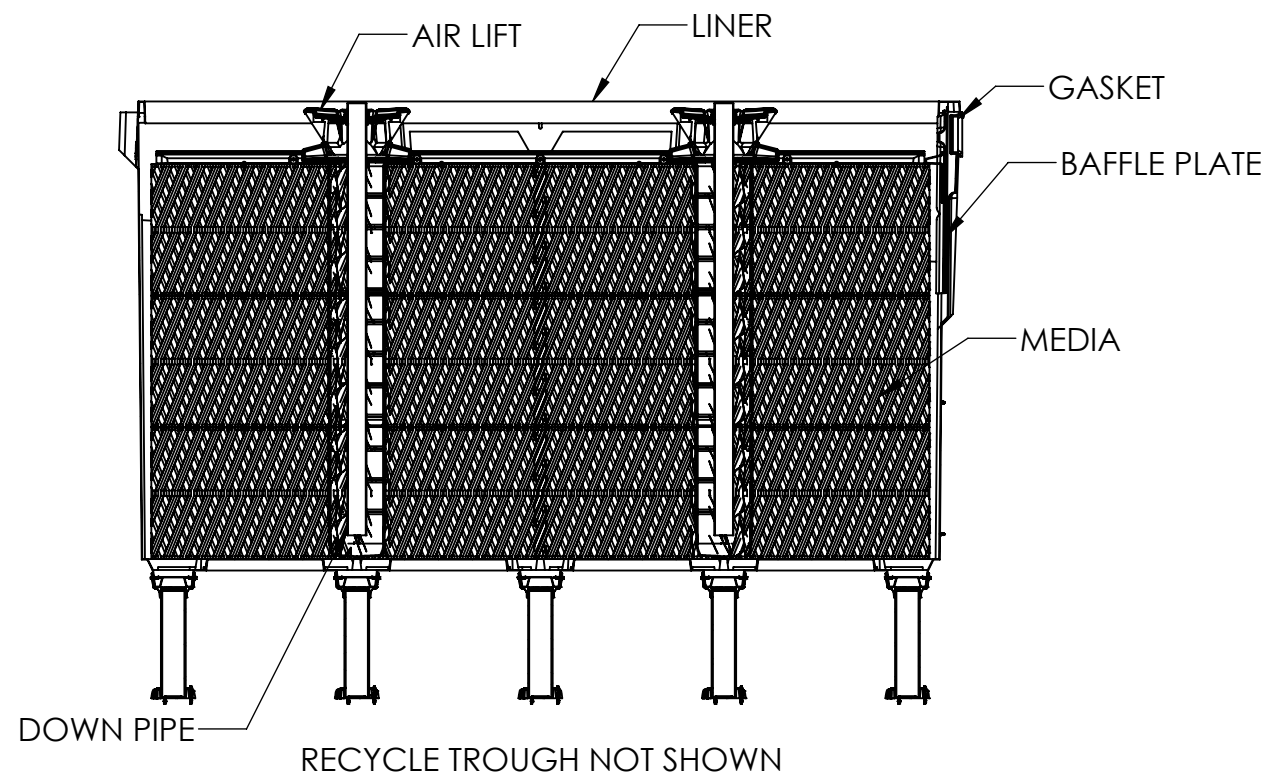





MyFAST® 4.0

<p>PROPRIETARY AND CONFIDENTIAL THE INFORMATION CONTAINED IN THIS DRAWING IS THE SOLE PROPERTY OF BIO-MICROBICS, INC.. ANY REPRODUCTION IN PART OR AS A WHOLE WITHOUT THE WRITTEN PERMISSION OF BIO-MICROBICS, INC. IS PROHIBITED.</p> <p>DO NOT SCALE DRAWING</p>		<p>UNLESS OTHERWISE SPECIFIED DIMENSIONS ARE IN INCHES AND TOLERANCES ARE AS FOLLOWS</p> <p>X° ±1° .X ± .50 .XX ± .25</p>			
		<p>DRAWN BY: ESG</p> <p>DATE: 11/17/2023</p>			
<p>SHEET 1 OF 7</p>		<p>APPROVED BY: MSH</p>		<p>PART NUMBER</p>	
<p>SCALE: 1:512</p>	<p>SIZE: B</p>	<p>APPROVED BY DATE: 11/17/2023</p>		<p>MyFAST 4.0</p>	<p>REV A</p>



NOTES:
1. ITEMS ARE DEPICTIONS AND MAY VARY IN APPEARANCE.

PROPRIETARY AND CONFIDENTIAL THE INFORMATION CONTAINED IN THIS DRAWING IS THE SOLE PROPERTY OF BIOMICROBICS, INC.. ANY REPRODUCTION IN PART OR AS A WHOLE WITHOUT THE WRITTEN PERMISSION OF BIOMICROBICS, INC. IS PROHIBITED. DO NOT SCALE DRAWING	UNLESS OTHERWISE SPECIFIED DIMENSIONS ARE IN INCHES AND TOLERANCES ARE AS FOLLOWS X° ± 1° .X ± .50 .XX ± .25	 BETTER WATER. BETTER WORLD.
	DRAWN BY: ESG DATE: 11/17/2023	
SHEET 2 OF 7	APPROVED BY: MSH APPROVED DATE: 11/17/2023	PART NUMBER MyFAST 4.0
SCALE: 1:32	SIZE: B	REV

MyFAST® 4.0
with Optional MyTEE® Screen, AMS & BMS

Product Description & Layout

MyFAST® 4.0 BASIC

Designed to treat approximately 40,000 GPD (150 m3/day) of residential waste water. For non-residential or mixed use applications, consult factory for guidance.

- (4) MyFAST® Liners
- (4) SaniTEE® 1618 Screens
- Blower & Blower housing
- Control Panel
- Air Distribution Assembly
- Biosolids Collection Grid
- Biosolids Collection Pump, Valves and Manifold
- (4) Lateral Braces

OPTIONS

Aeration Management System (AMS)

LIXOR® aeration system provides oxygen and mixing, reducing primary sludge.

1. LIXOR® 4.0XD
2. Blower & Blower housing

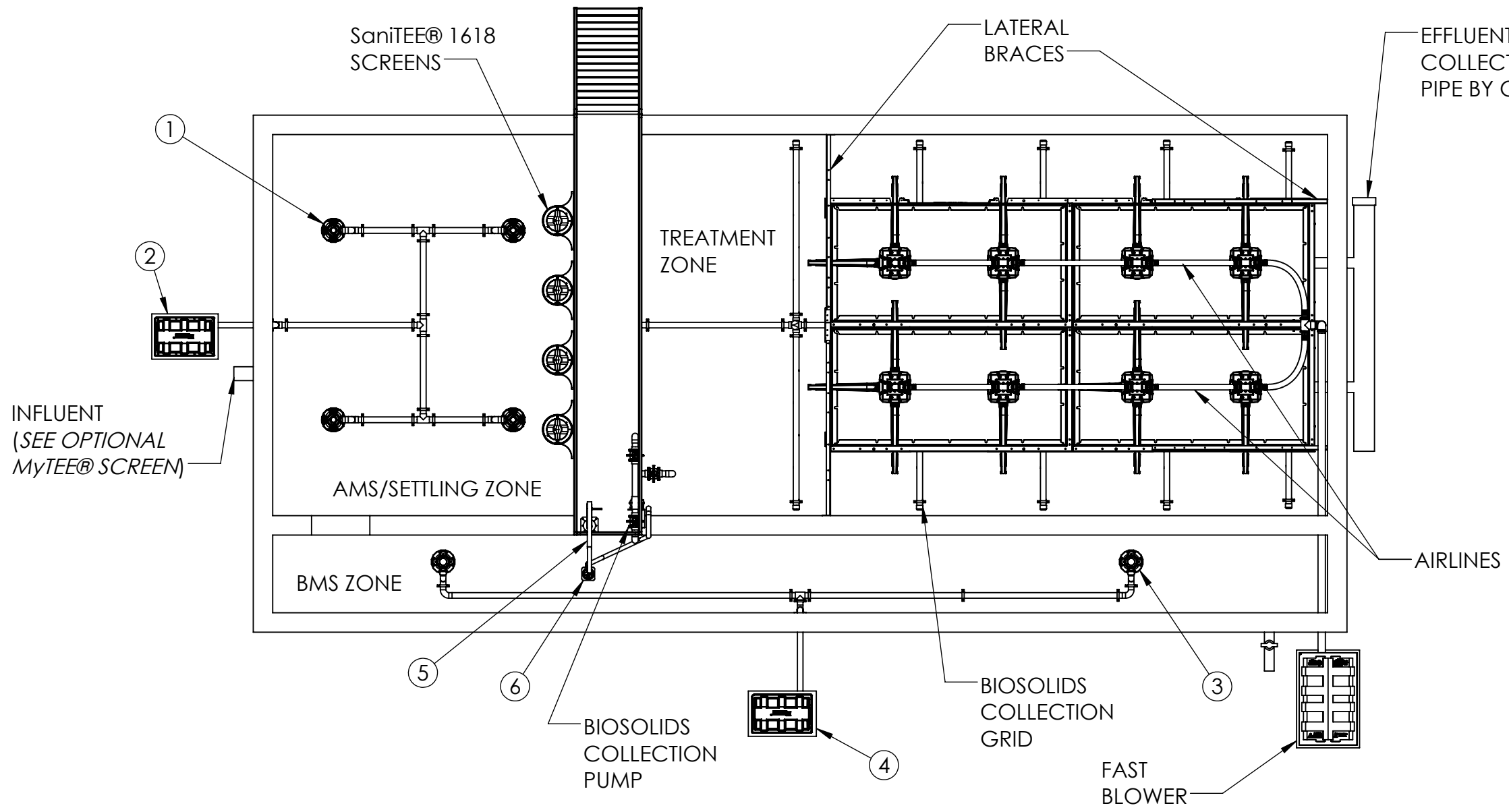
Biosolids Management System (BMS)


LIXOR® aeration system to reduce biosolids quantity.

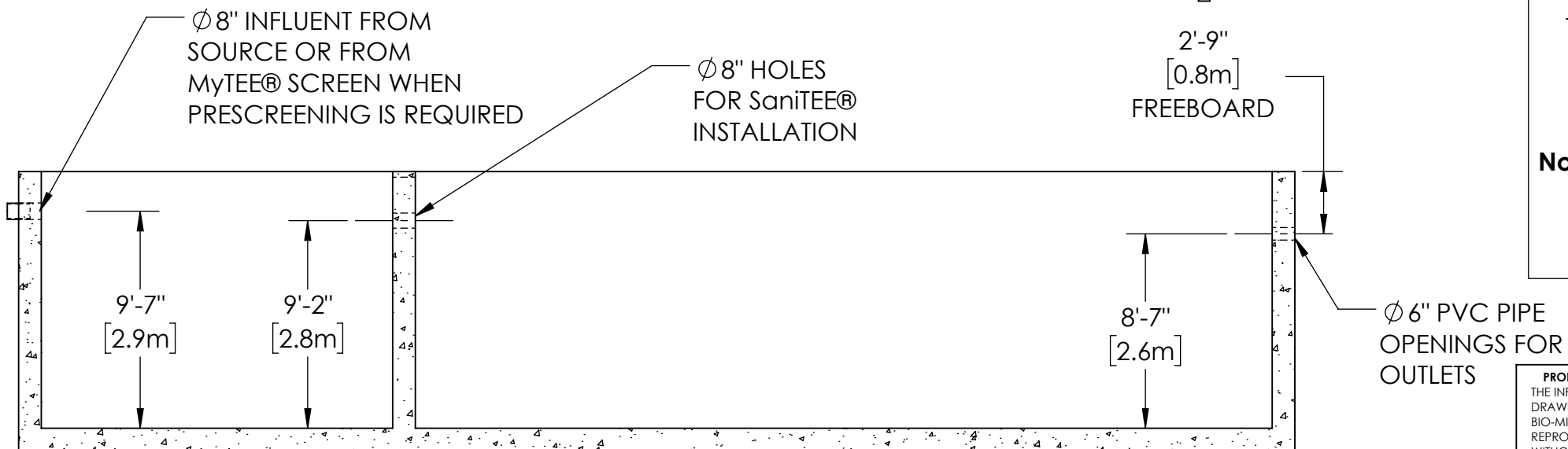
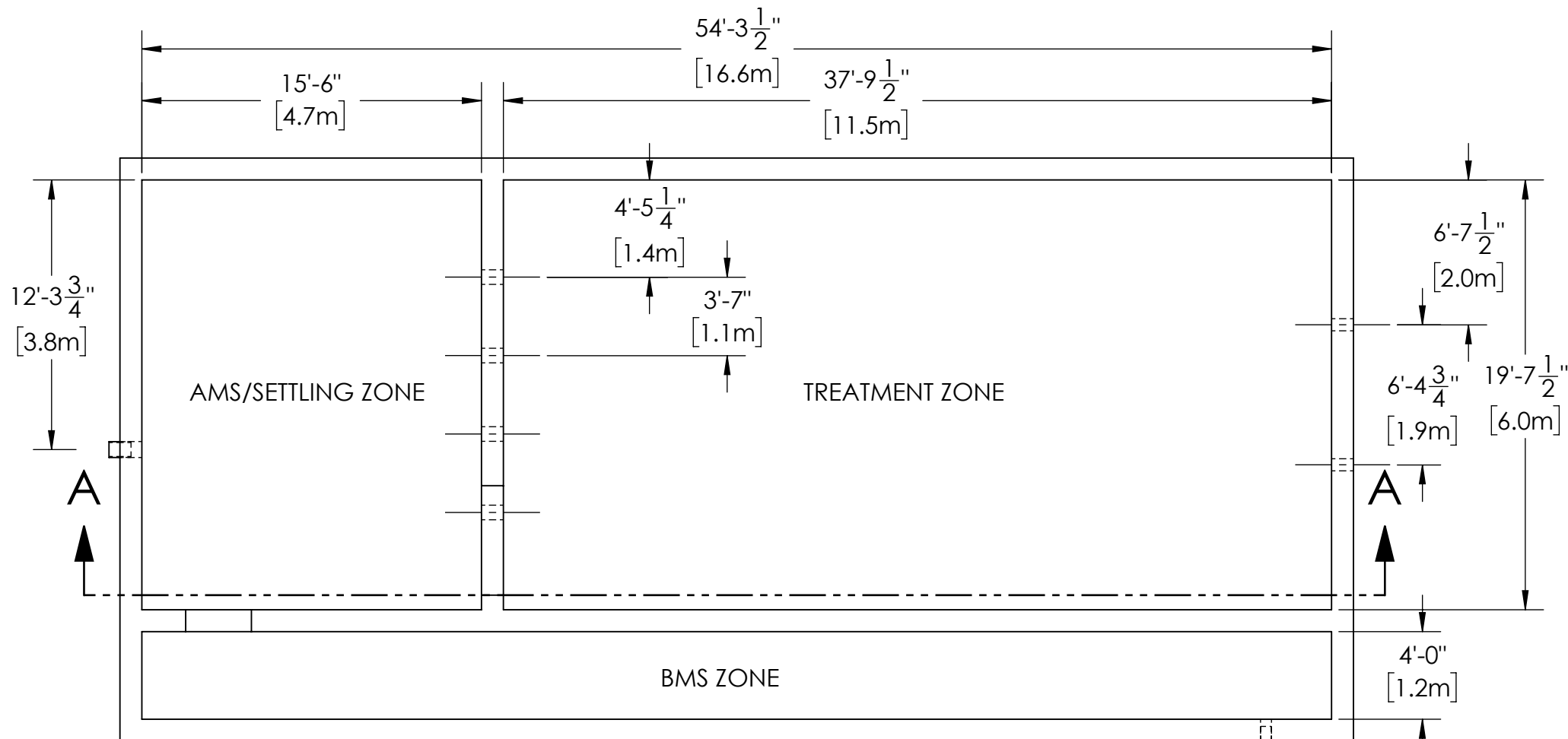
3. LIXOR® 2.0
4. Blower & Blower housing
5. Jib Crane
6. Decant Pump

MyTEE® Screen

A prescreening device is required prior to AMS Zone. MyTEE® screen provides separation of non-biological solids and grit.
See sheet 5 of 7 MyTEE® Screen



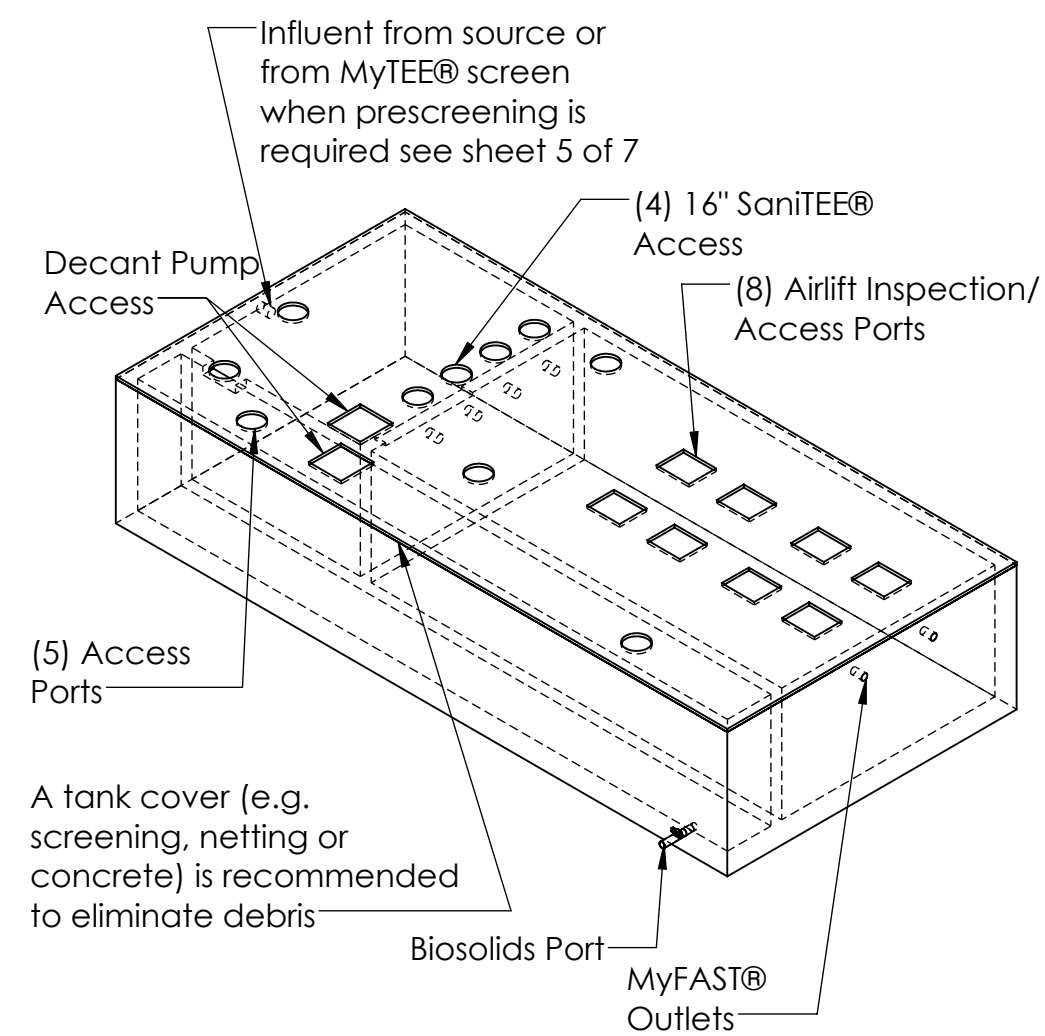
<p>PROPRIETARY AND CONFIDENTIAL THE INFORMATION CONTAINED IN THIS DRAWING IS THE SOLE PROPERTY OF BIO-MICROBICS, INC.. ANY REPRODUCTION IN PART OR AS A WHOLE WITHOUT THE WRITTEN PERMISSION OF BIO-MICROBICS, INC. IS PROHIBITED.</p> <p>DO NOT SCALE DRAWING</p>		<p>UNLESS OTHERWISE SPECIFIED DIMENSIONS ARE IN INCHES AND TOLERANCES ARE AS FOLLOWS X° ± 1° .X ± .50 .XX ± .25</p>		 <p>BETTER WATER. BETTER WORLD.</p>	
		<p>DRAWN BY: ESG</p> <p>DATE: 11/17/2023</p>			
<p>SHEET 3 OF 7</p>		<p>APPROVED BY: MSH</p>		<p>PART NUMBER</p>	
<p>SCALE: 1:512</p>	<p>SIZE: B</p>	<p>APPROVED BY DATE: 11/17/2023</p>		<p>MyFAST 4.0</p>	<p>REV A</p>




MyFAST® 4.0 Tank Details

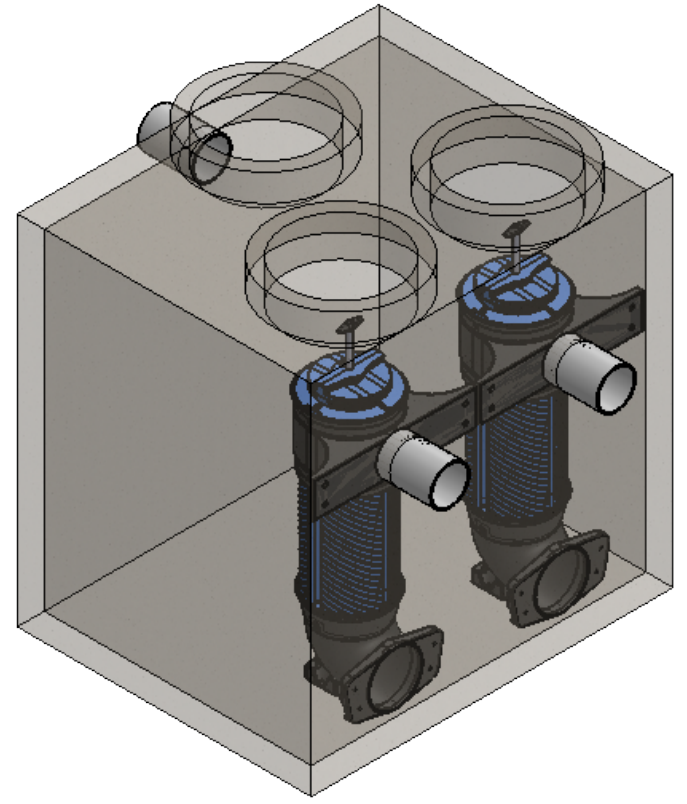
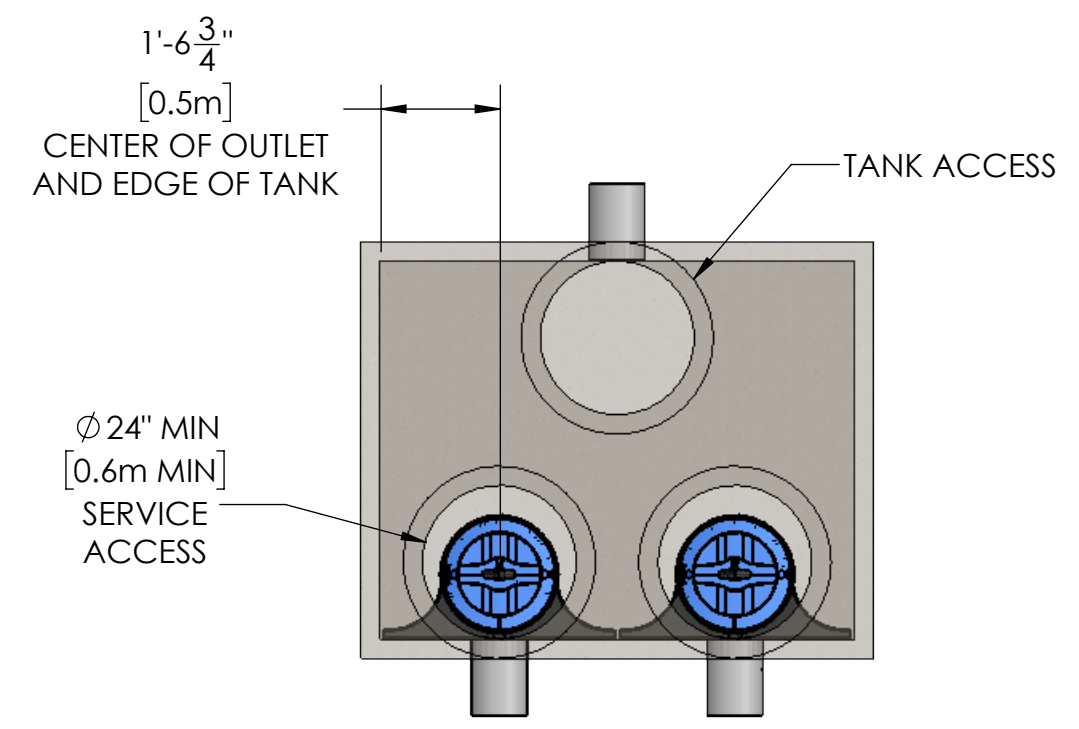
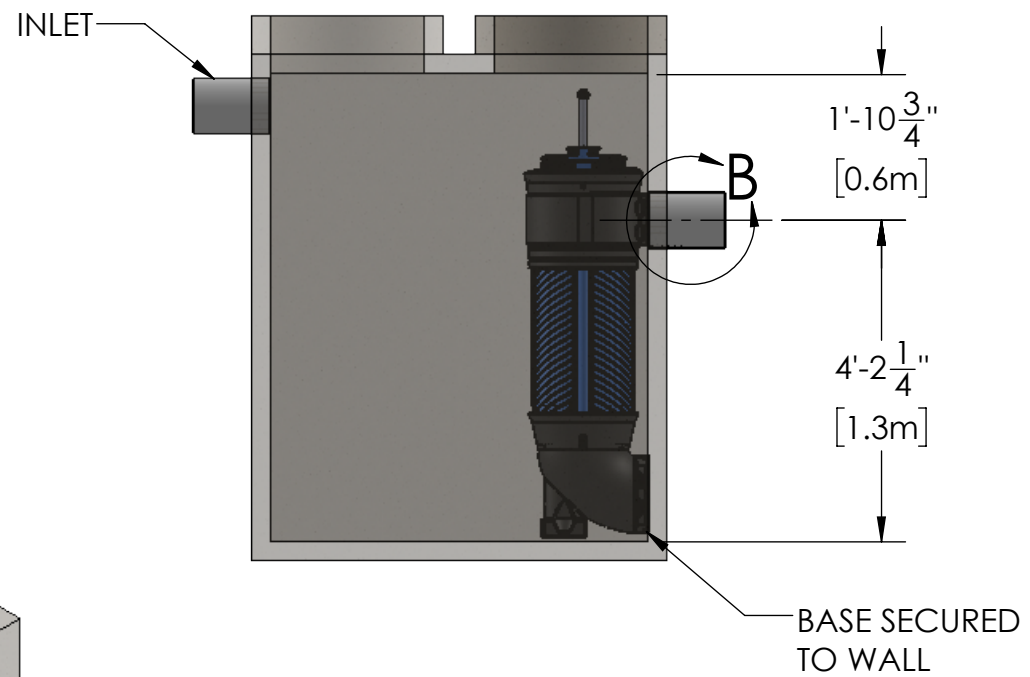
Lid Access Requirements

detailed drawings available upon request



Notes:
When tank is covered, adequate ventilation required. Refer to the BASIC, AMS & Specification sheets for additional details.

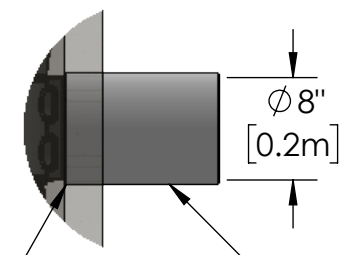
PROPRIETARY AND CONFIDENTIAL THE INFORMATION CONTAINED IN THIS DRAWING IS THE SOLE PROPERTY OF BIO-MICROBICS, INC.. ANY REPRODUCTION IN PART OR AS A WHOLE WITHOUT THE WRITTEN PERMISSION OF BIO-MICROBICS, INC. IS PROHIBITED.		UNLESS OTHERWISE SPECIFIED DIMENSIONS ARE IN INCHES AND TOLERANCES ARE AS FOLLOWS X° ± 1° .X ± .50 .XX ± .25			
DO NOT SCALE DRAWING		DRAWN BY: ESG		DESCRIPTION: TANK DETAILS	
SHEET 4 OF 7		DATE: 11/17/2023		PART NUMBER: MyFAST 4.0	
SCALE: 1:80		APPROVED BY: MSH		REV: A	
SIZE: B		APPROVED BY DATE: 11/17/2023			



NOTES:

1. MyTEE® screens provide separation of non-biological solids and grit.
2. Each 1638 MyTEE® unit should be placed under a $\phi 24"$ [61cm] riser for proper operation of the internal and external swabs.
3. Tank inlet flow line must be at least 2" [5cm] above the emergency overflow outlet flow line. Emergency overflow must be sized to handle the designed peak flow event.
4. See table for required MyTEE® quantities and maximum tank volume.
5. Outlet pipe not included.
6. All appurtenances to MyTEE® (e.g. septic tank, access risers, etc.) must conform to all applicable codes.
7. See additional details in MyFAST® Installation Manual.


IF INSTALLED AS SHOWN IN A SINGLE COMPARTMENT TANK THE 8" PVC PIPE MUST BE WATER TIGHT WITHIN THE TANK AND FLUSH AGAINST THE INSIDE TO MOUNT 16" MyTEE® BOTTOM DIVERTER

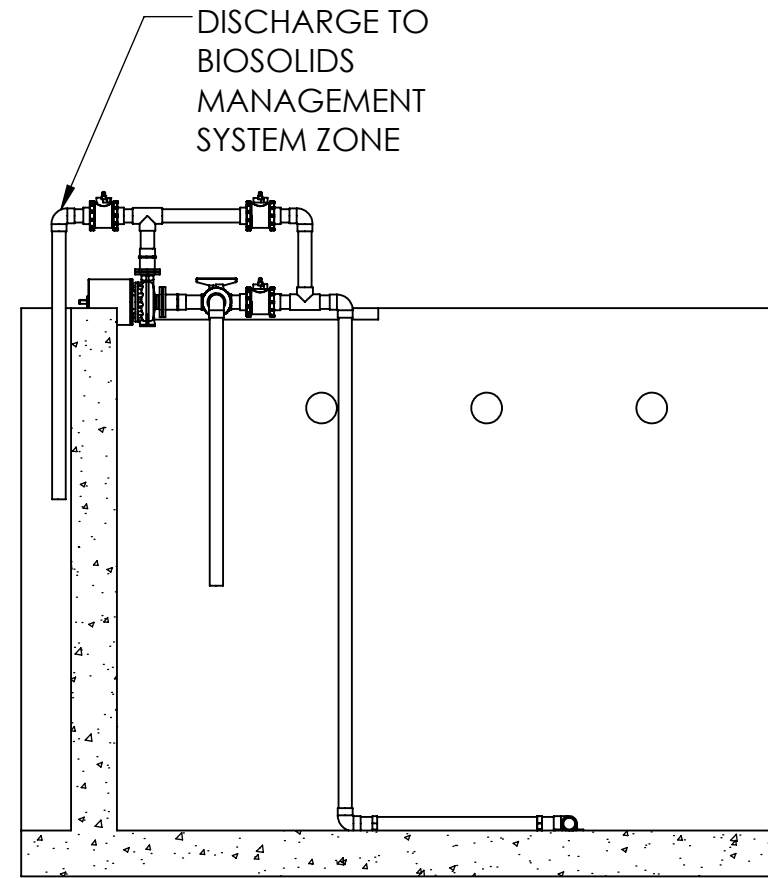
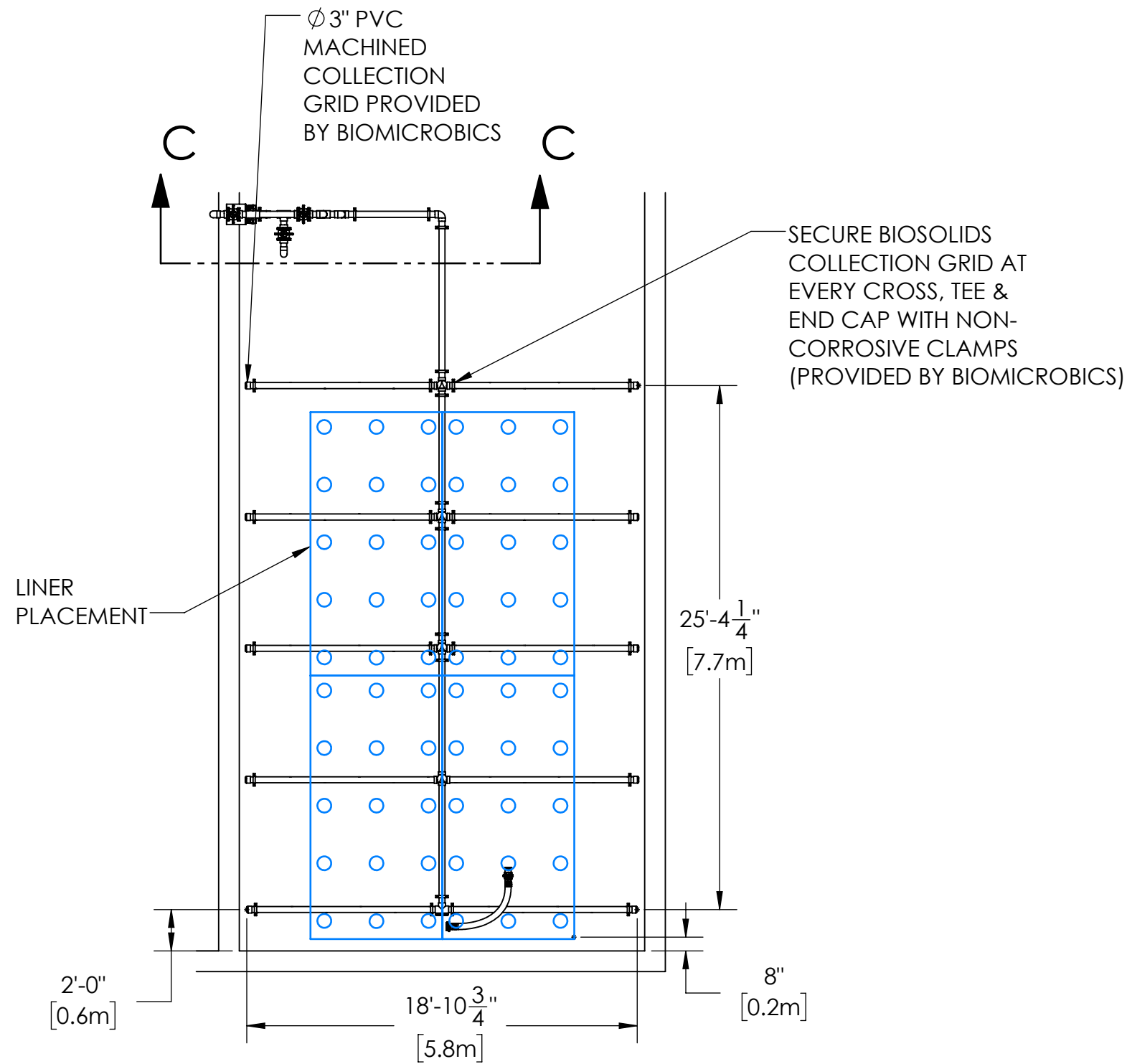


DETAIL B
SCALE 1 : 15

OUTLET
OPTIONAL
8" PVC PIPE PROVIDED
BY OTHERS TO CONNECT
OUTLET TO SECONDARY
TANK

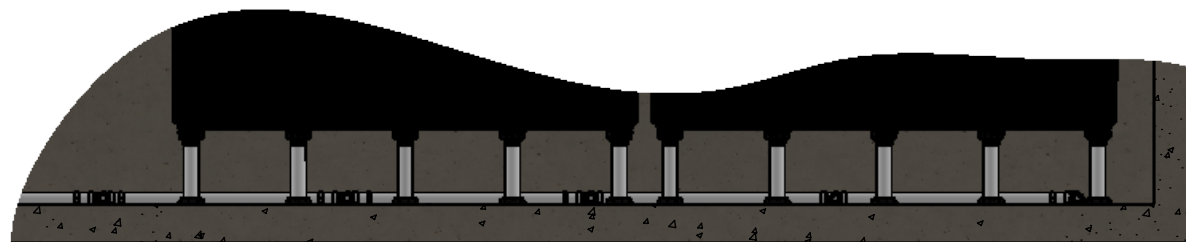
MyTEE® 1638 SCREEN			
MyFAST® MODEL	FLOW	MAXIMUM TANK VOLUMES	MyTEE® QUANTITY
2.0	20,000 GPD [76 M3/DAY]	(1) 2500 GAL [10M3] TANK	1
3.0	30,000 GPD [114 M3/DAY]	(1) 3750 GAL [14M3] TANK	2
4.0	40,000 GPD [150 M3/DAY]	(1) 5000 GAL [19M3] TANK	2
6.0	60,000 GPD [230 M3/DAY]	(1) 7500 GAL [28M3] TANK	3
8.0	80,000 GPD [300 M3/DAY]	(1) 10000 GAL [38M3] TANK	4
10.0	100,000 GPD [379 M3/DAY]	(1) 12500 GAL [47M3] TANK	5
12.0	120,000 GPD [454 M3/DAY]	(1) 15000 GAL [55M3] TANK	6
16.0	160,000 GPD [600 M3/DAY]	(1) 20000 GAL [75M3] TANK	8


<small>PROPRIETARY AND CONFIDENTIAL</small> <small>THE INFORMATION CONTAINED IN THIS DRAWING IS THE SOLE PROPERTY OF BIO-MICROBICS, INC.. ANY REPRODUCTION IN PART OR AS A WHOLE WITHOUT THE WRITTEN PERMISSION OF BIO-MICROBICS, INC. IS PROHIBITED.</small>	<small>UNLESS OTHERWISE SPECIFIED DIMENSIONS ARE IN INCHES AND TOLERANCES ARE AS FOLLOWS</small> $X^{\circ} \pm 1^{\circ}$ $.X \pm .50$ $.XX \pm .25$	 <small>BETTER WATER. BETTER WORLD.™</small>
	<small>DRAWN BY:</small> ESG	
<small>DO NOT SCALE DRAWING</small>	<small>DATE:</small> 11/17/2023	<small>PART NUMBER</small> MyFAST 4.0
SHEET 5 OF 7	<small>APPROVED BY:</small> MSH	<small>REV</small> A
<small>SCALE:</small> 1:30	<small>SIZE:</small> B	<small>APPROVED BY DATE:</small> 11/17/2023



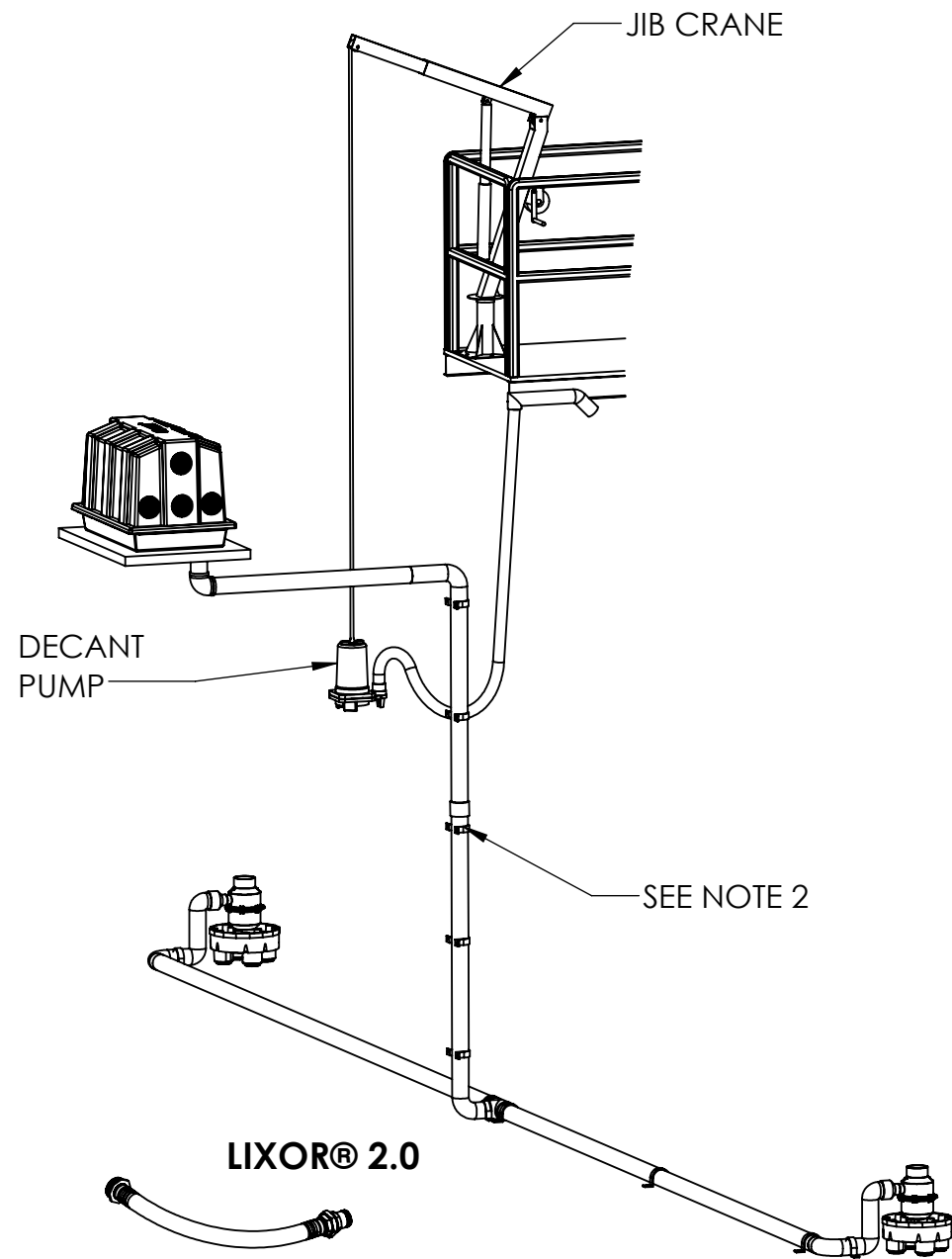
SECTION C-C
SCALE 1 : 50

NOTE:
ALL 3" PVC PIPE SHOWN IN
SECTION C-C WILL BE PROVIDED BY
BIOMICROBICS.

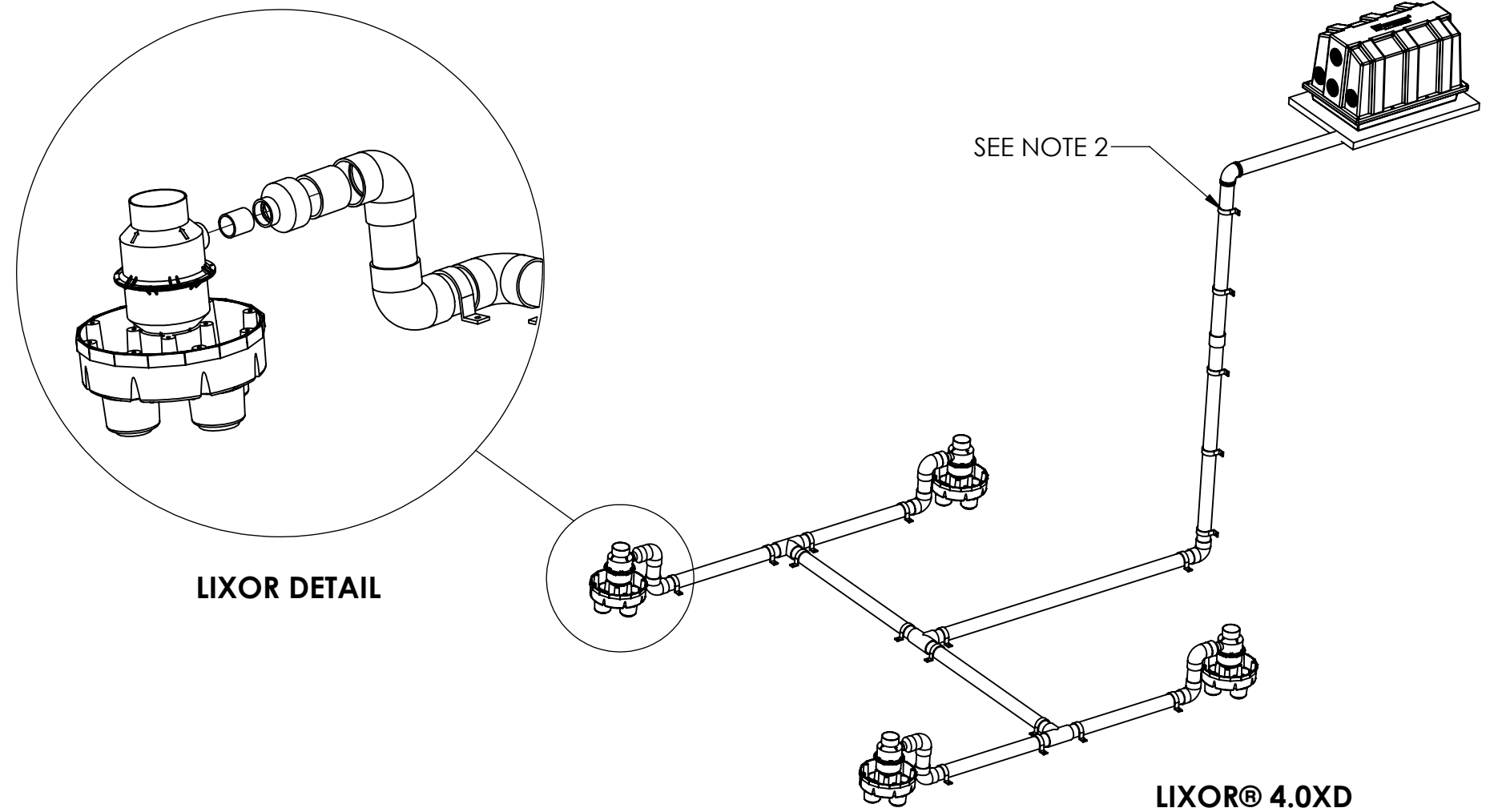


PROPRIETARY AND CONFIDENTIAL THE INFORMATION CONTAINED IN THIS DRAWING IS THE SOLE PROPERTY OF BIO-MICROBICS, INC.. ANY REPRODUCTION IN PART OR AS A WHOLE WITHOUT THE WRITTEN PERMISSION OF BIO-MICROBICS, INC. IS PROHIBITED. DO NOT SCALE DRAWING		UNLESS OTHERWISE SPECIFIED DIMENSIONS ARE IN INCHES AND TOLERANCES ARE AS FOLLOWS X° ± 1° .X ± .50 .XX ± .25	 BETTER WATER. BETTER WORLD.
		DRAWN BY: ESG	
SHEET 6 OF 7		DATE: 11/17/2023	PART NUMBER MyFAST 4.0
		APPROVED BY: MSH	
SCALE: 1:80	SIZE: B	APPROVED BY DATE: 11/17/2023	

BIOSOLIDS MANAGEMENT SYSTEM (BMS) OPTION




AERATION MANAGEMENT SYSTEM (AMS) OPTION



NOTES:

1. BLOWER PIPING TO LIXOR® MAY NOT EXCEED 100 FT [30.5m] IN TOTAL LENGTH AND USE A MAXIMUM OF 6 ELBOWS, TO GET TO THE TANK. FOR DISTANCES GREATER THAN 100 FT [30.5m] - CONSULT FACTORY. BLOWER MUST BE LOCATED ABOVE FLOOD/STANDING WATER LEVELS ON A CONCRETE BASE 36" X 58" X 2" [91X147X5cm] MINIMUM.
2. THE AIR SUPPLY LINE MUST BE SECURED WITH A NON-CORROSIVE CLAMP EVERY 2 FT [0.6m] MINIMUM TO PREVENT VIBRATION INDUCED DAMAGE.
3. INSTALLATION OF THE LIXOR® SHALL BE DONE IN ACCORDANCE WITH THE WRITTEN INSTRUCTIONS PROVIDED BY THE MANUFACTURER. REFER TO LIXOR® INSTALLATION MANUAL FOR MORE DETAILS.

<p>PROPRIETARY AND CONFIDENTIAL THE INFORMATION CONTAINED IN THIS DRAWING IS THE SOLE PROPERTY OF BIO-MICROBICS, INC.. ANY REPRODUCTION IN PART OR AS A WHOLE WITHOUT THE WRITTEN PERMISSION OF BIO-MICROBICS, INC. IS PROHIBITED.</p> <p>DO NOT SCALE DRAWING</p>	<p>UNLESS OTHERWISE SPECIFIED DIMENSIONS ARE IN INCHES AND TOLERANCES ARE AS FOLLOWS</p> <p>X° ±1° .X ± .50 .XX ± .25</p>	 <p>BETTER WATER. BETTER WORLD.</p>	
	<p>DRAWN BY: ESG</p> <p>DATE: 11/17/2023</p>	<p>DESCRIPTION OPTIONS</p>	
<p>SHEET 7 OF 7</p>	<p>APPROVED BY: MSH</p> <p>APPROVED BY DATE: 11/17/2023</p>	<p>PART NUMBER MyFAST 4.0</p>	<p>REV A</p>
<p>SCALE: 1:30</p>	<p>SIZE: B</p>		