
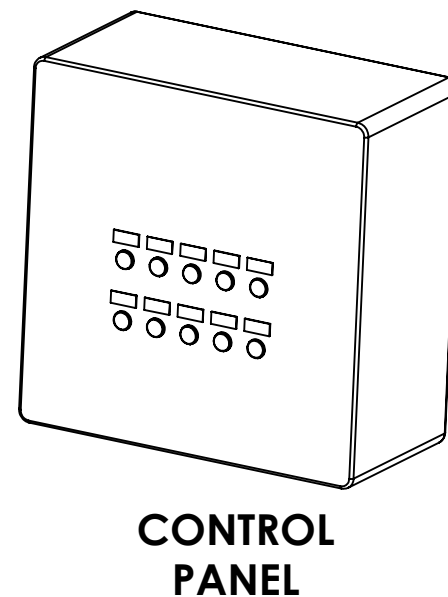
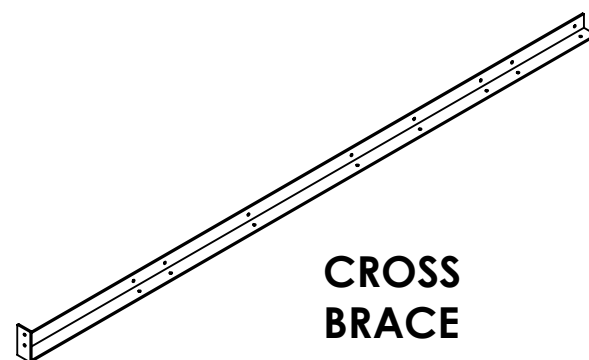
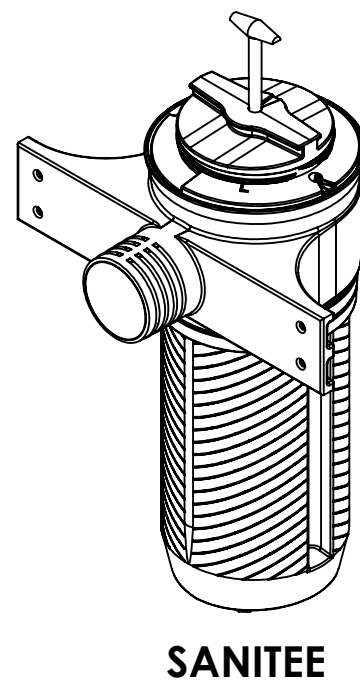
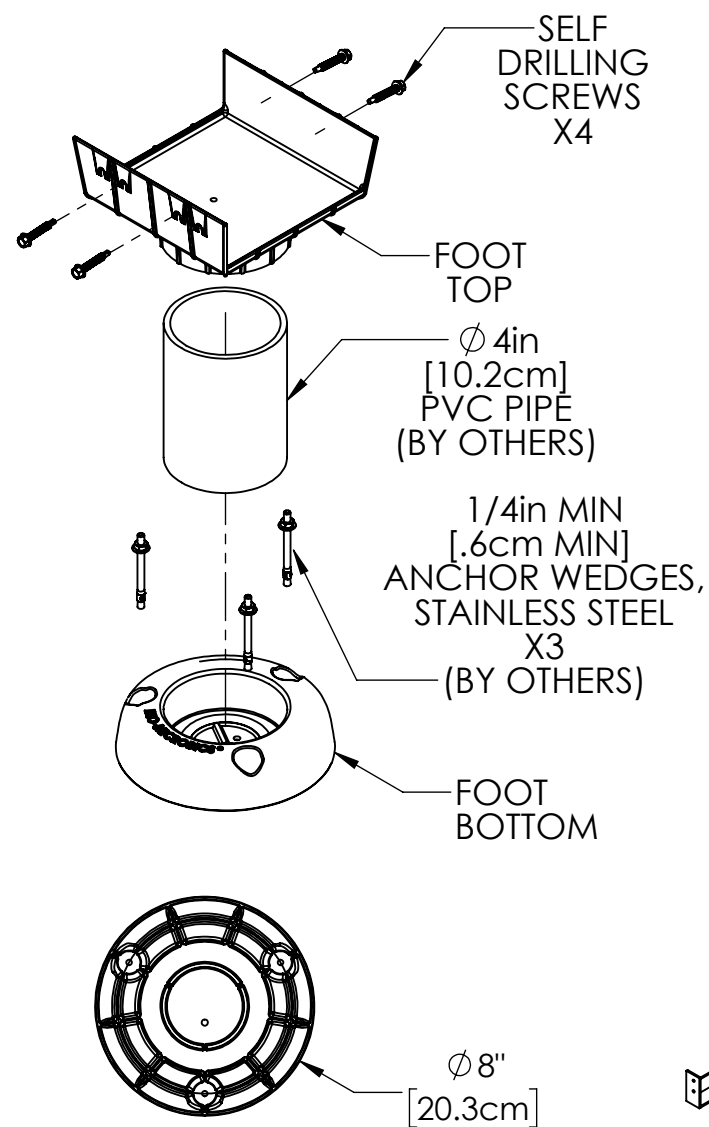
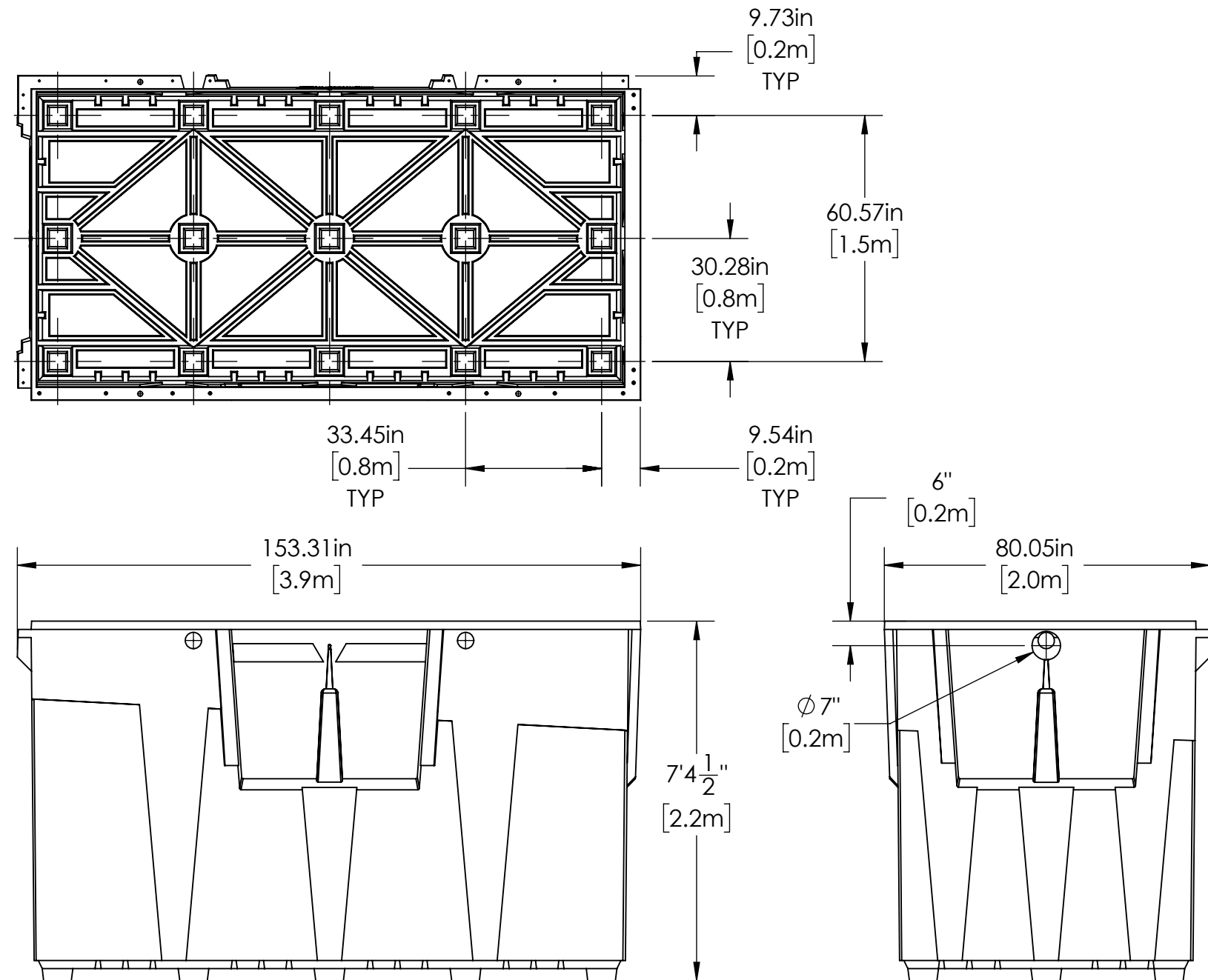
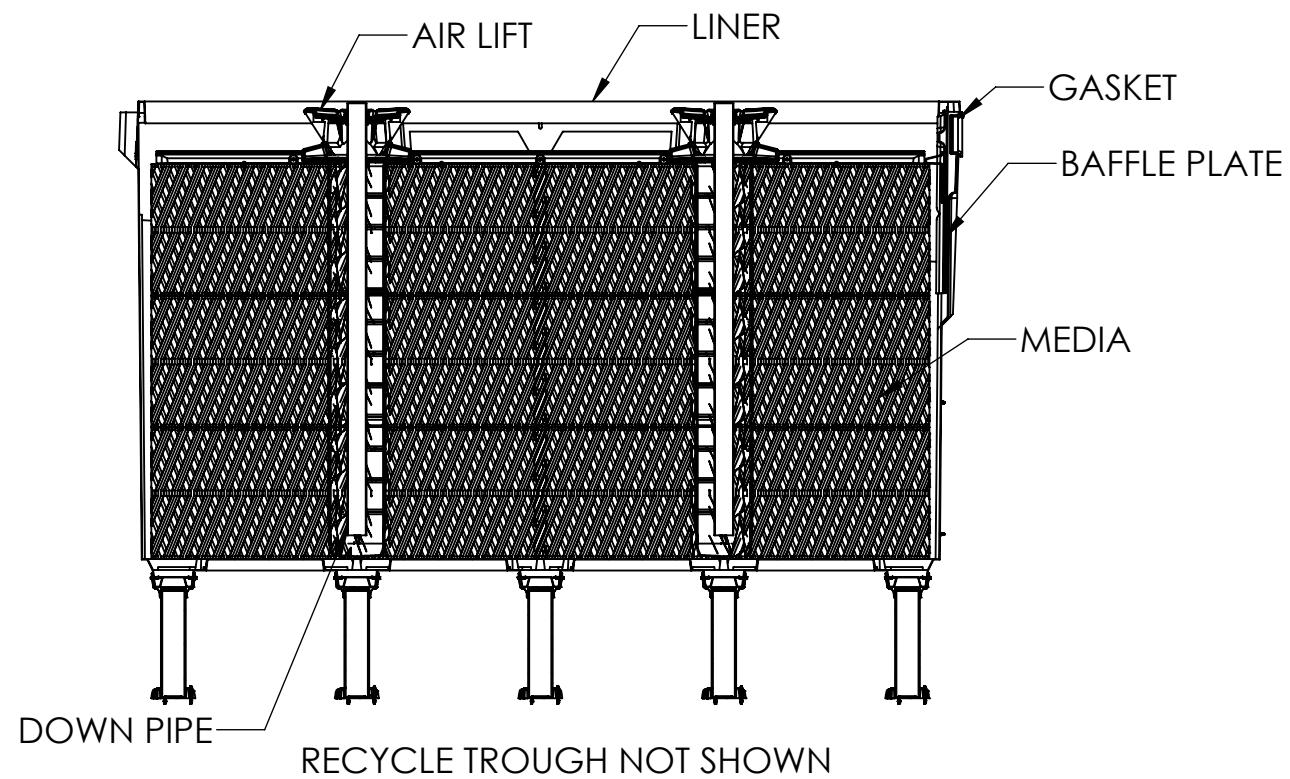


MyFAST® 12.0

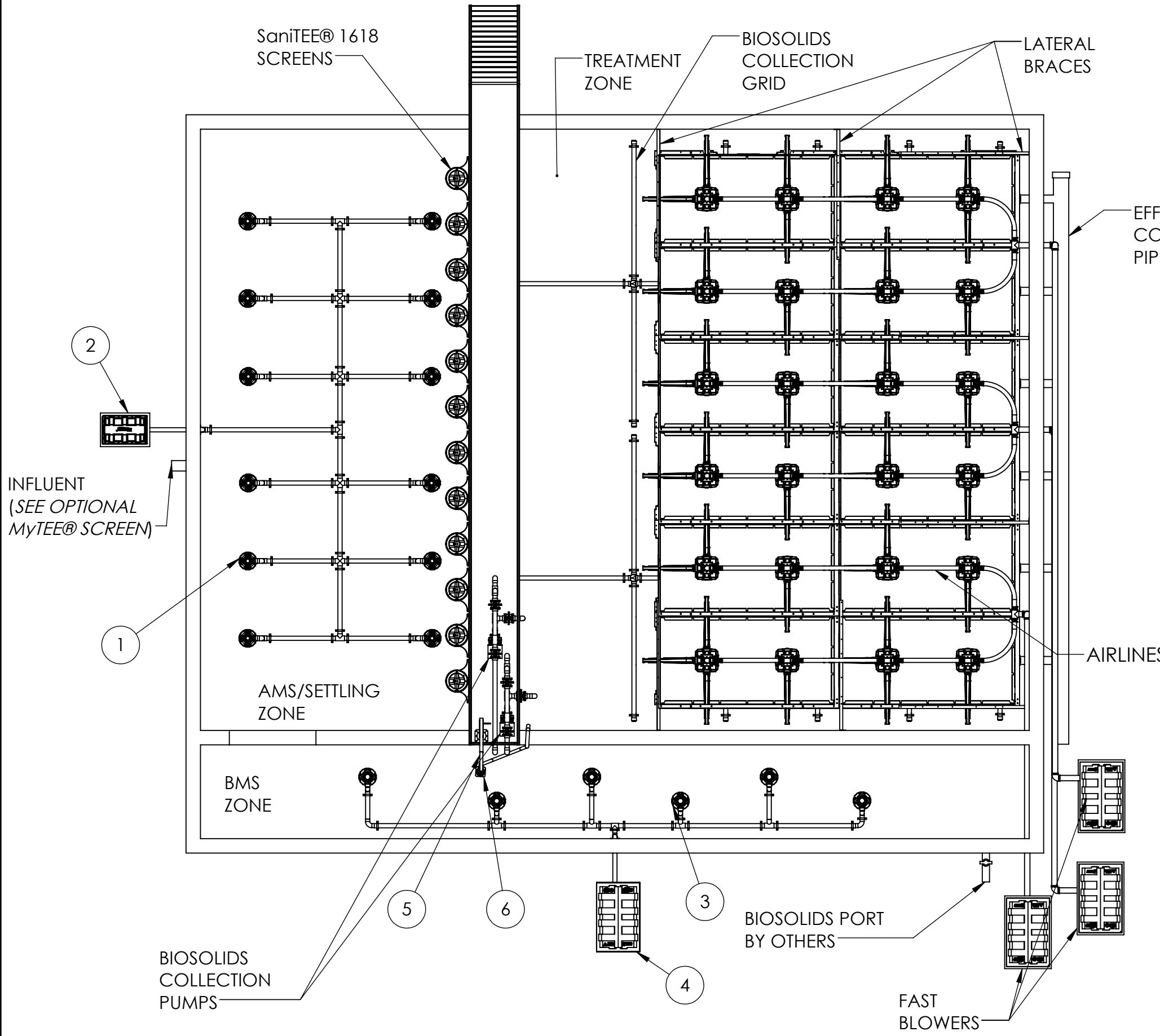
<p>PROPRIETARY AND CONFIDENTIAL THE INFORMATION CONTAINED IN THIS DRAWING IS THE SOLE PROPERTY OF BIO-MICROBICS, INC.. ANY REPRODUCTION IN PART OR AS A WHOLE WITHOUT THE WRITTEN PERMISSION OF BIO-MICROBICS, INC. IS PROHIBITED.</p> <p>DO NOT SCALE DRAWING</p>		<p>UNLESS OTHERWISE SPECIFIED DIMENSIONS ARE IN INCHES AND TOLERANCES ARE AS FOLLOWS</p> <p>X° ±1° .X ± .50 .XX ± .25</p>			
		<p>DRAWN BY: ESG</p> <p>DATE: 12/28/2023</p>			
<p>SHEET 1 OF 7</p>		<p>APPROVED BY: MSH</p>		<p>PART NUMBER</p>	
		<p>APPROVED BY DATE: 12/28/2023</p>		<p>MyFAST 12.0</p>	
<p>SCALE: 1:90</p>	<p>SIZE: B</p>			<p>REV -</p>	



NOTES:

1. ITEMS ARE DEPICTIONS AND MAY VARY IN APPEARANCE.

<p>PROPRIETARY AND CONFIDENTIAL</p> <p>THE INFORMATION CONTAINED IN THIS DRAWING IS THE SOLE PROPERTY OF BIOMICROBICS, INC.. ANY REPRODUCTION IN PART OR AS A WHOLE WITHOUT THE WRITTEN PERMISSION OF BIOMICROBICS, INC. IS PROHIBITED.</p> <p>DO NOT SCALE DRAWING</p>	<p>UNLESS OTHERWISE SPECIFIED DIMENSIONS ARE IN INCHES AND TOLERANCES ARE AS FOLLOWS</p> <p>X° ±1° .X ±.50 .XX ±.25</p>	<p>BETTER WATER. BETTER WORLD.</p>	
	<p>DRAWN BY: ESG</p> <p>DATE: 12/28/2023</p>	<p>DESCRIPTION: MYFAST UNIT DETAILS</p>	
<p>SHEET 2 OF 7</p>	<p>APPROVED BY: MSH</p> <p>APPROVED DATE: 12/28/2023</p>	<p>PART NUMBER: MyFAST 12.0</p>	<p>REV</p>
<p>SCALE: 1:32</p>	<p>SIZE: B</p>		



**Product Description & Layout
MyFAST® 12.0 BASIC**

Designed to treat approximately 120,000 GPD (454 m3/day) of residential waste water. For non-residential or mixed use applications, contact factory for guidance.

- (12) MyFAST® Liners
- (12) SaniTEE® 1618 Screens
- Blowers & Blower Housings
- Control Panel
- Air Distribution Assembly
- (2) Biosolids Collection Grids
- (2) Biosolids Collection Pumps valves and manifolds
- (8) Lateral Braces

OPTIONS

Aeration Management System (AMS)

LIXOR® aeration system provides oxygen and mixing, reducing primary sludge.

1. LIXOR® 12.0 XD
2. Blower & Blower Housing

Biosolids Management System (BMS)


LIXOR® aeration system to reduce biosolids quantity.

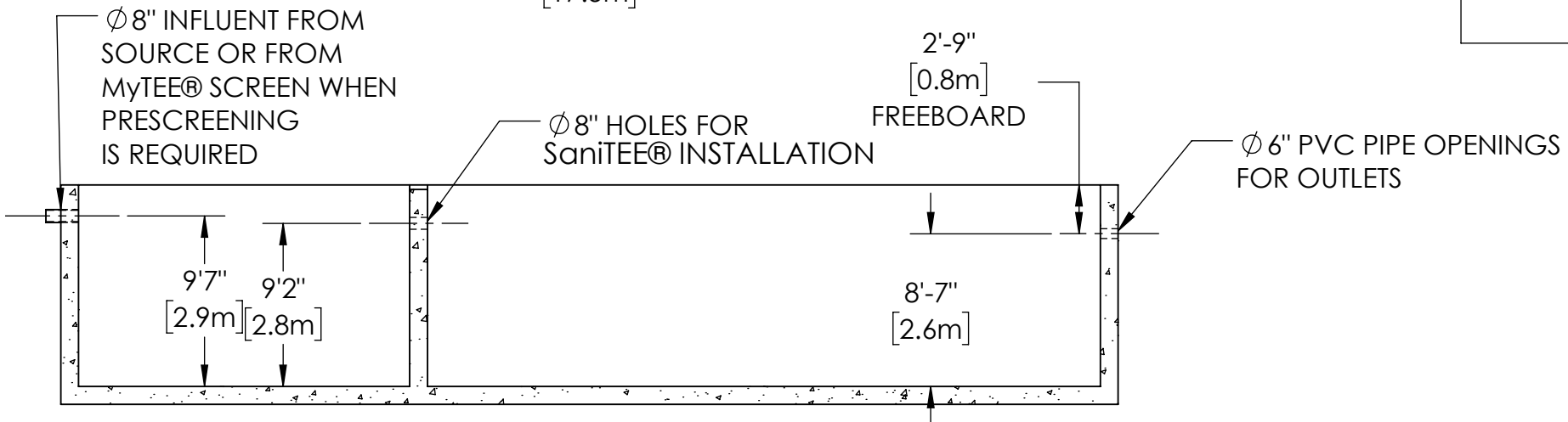
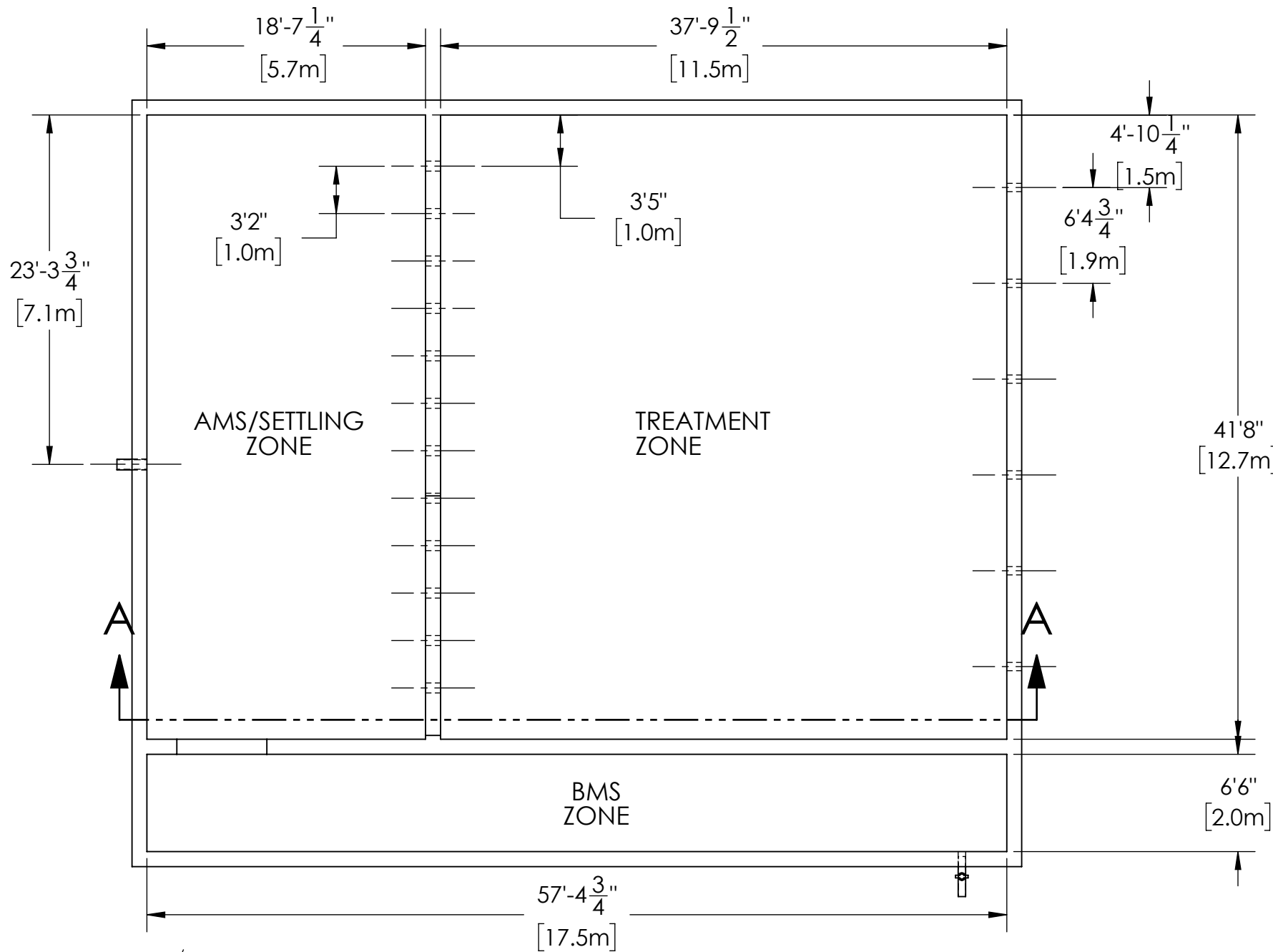
3. LIXOR® 6.0
4. Blower & Blower Housing
5. Jib Crane
6. Decant Pump

MyTEE® Screen

A prescreening device is required prior to AMS Zone. MyTEE® screen provides separation of non-biological solids and grit.

See sheet 5 of 7 MyTEE® Screen

<small>PROPRIETARY AND CONFIDENTIAL THE INFORMATION CONTAINED IN THIS DRAWING IS THE SOLE PROPERTY OF BIO-MICROBICS, INC.. ANY REPRODUCTION IN PART OR AS A WHOLE WITHOUT THE WRITTEN PERMISSION OF BIO-MICROBICS, INC. IS PROHIBITED.</small>		<small>UNLESS OTHERWISE SPECIFIED DIMENSIONS ARE IN INCHES AND TOLERANCES ARE AS FOLLOWS X° ±1° .X ± .50 .XX ± .25</small>			
		<small>DO NOT SCALE DRAWING</small>			
SHEET 3 OF 7		<small>DRAWN BY: ESG</small>		<small>PART NUMBER MyFAST 12.0</small>	
		<small>DATE: 12/28/2023</small>		<small>REV -</small>	
<small>SCALE: 1:90</small>	<small>SIZE: B</small>	<small>APPROVED BY: MSH</small>		<small>APPROVED BY DATE: 12/28/2023</small>	

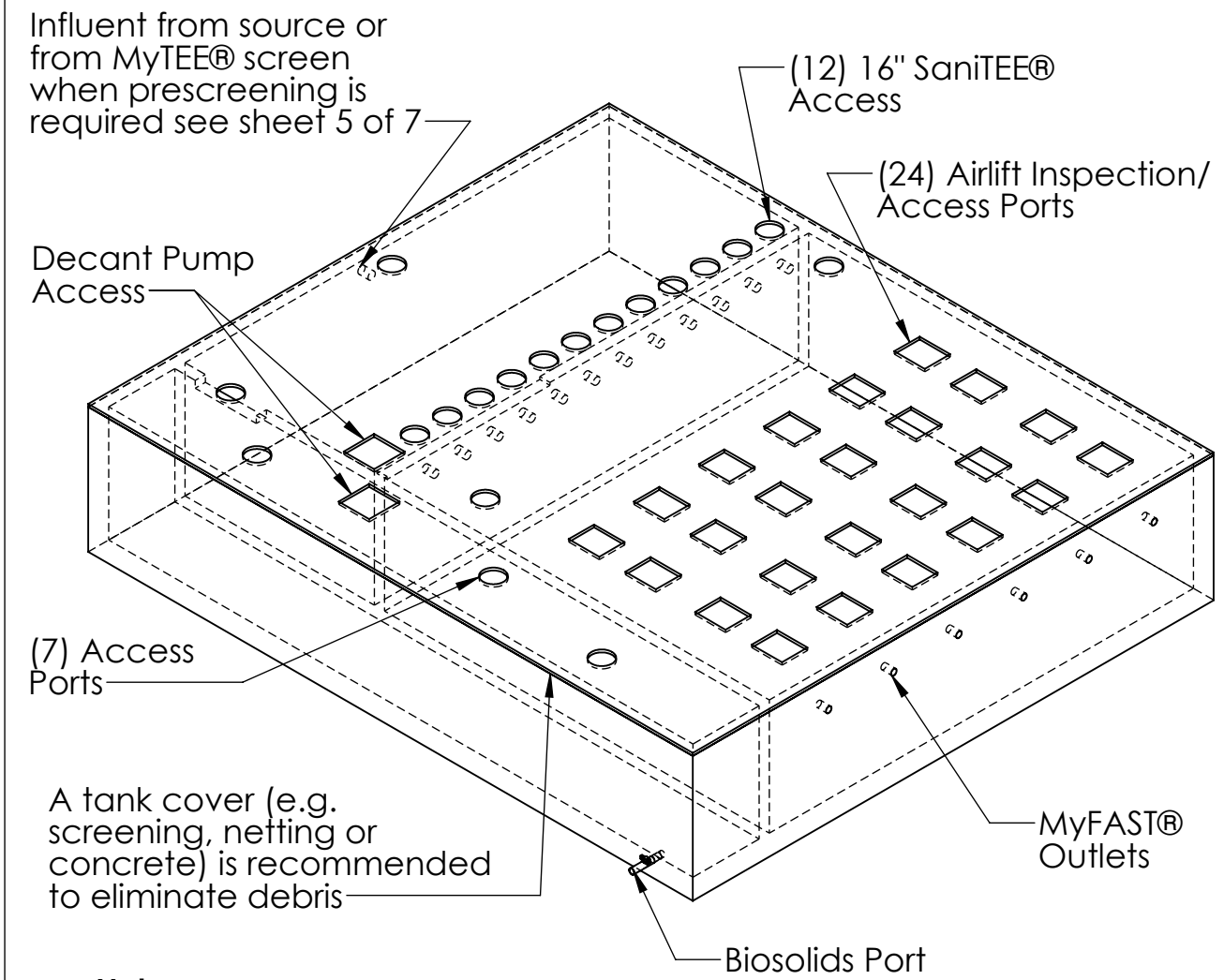


SECTION A-A
SCALE 1 : 110


MyFAST® 12.0 Tank Details

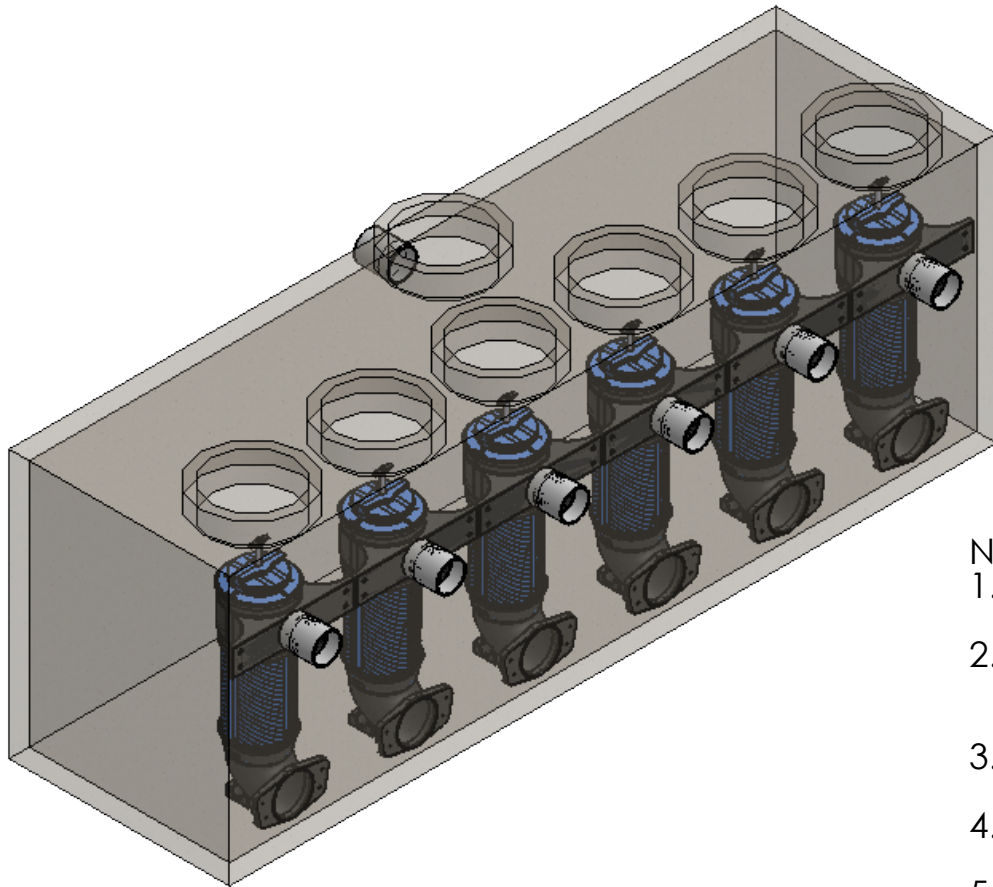
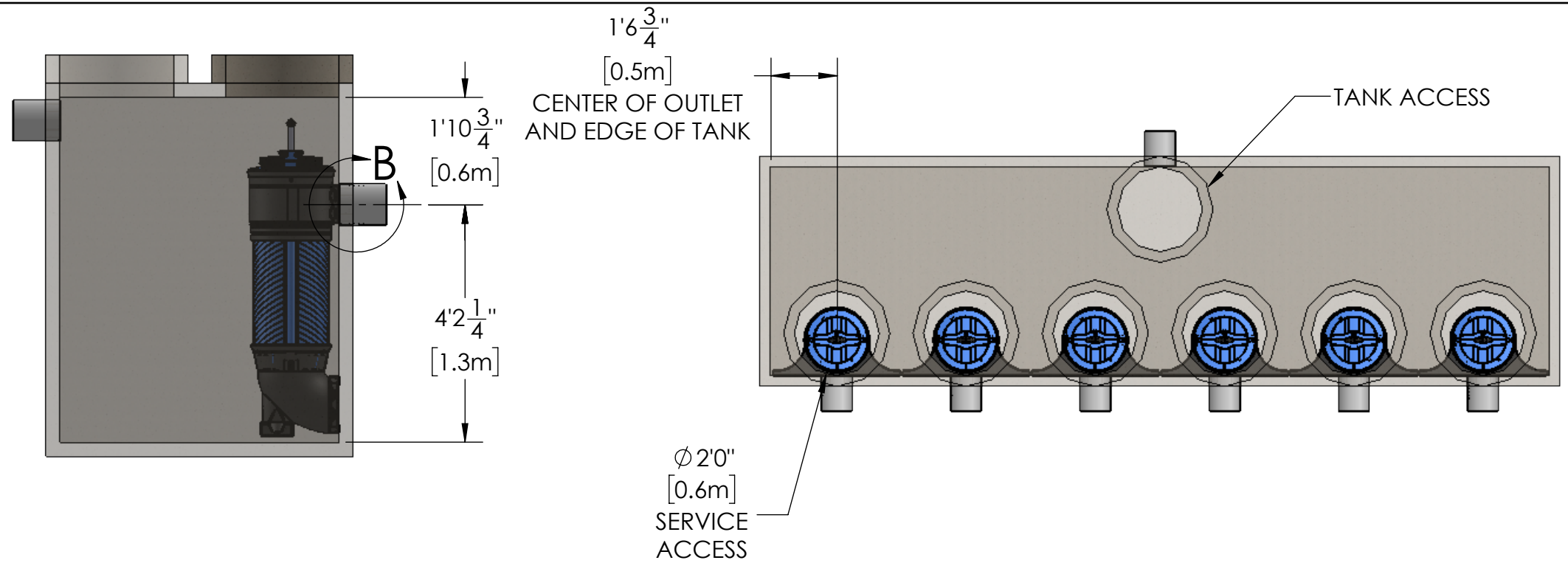
Lid Access Requirements

detailed drawings available upon request



Notes:
When tank is covered, adequate ventilation required. Refer to the BASIC, AMS & Specification sheets for additional details.

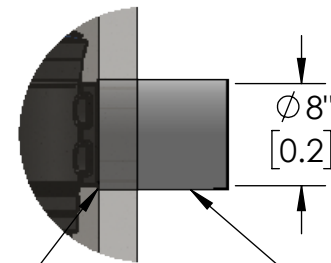
PROPRIETARY AND CONFIDENTIAL THE INFORMATION CONTAINED IN THIS DRAWING IS THE SOLE PROPERTY OF BIO-MICROBICS, INC.. ANY REPRODUCTION IN PART OR AS A WHOLE WITHOUT THE WRITTEN PERMISSION OF BIO-MICROBICS, INC. IS PROHIBITED.		UNLESS OTHERWISE SPECIFIED DIMENSIONS ARE IN INCHES AND TOLERANCES ARE AS FOLLOWS X° ± 1° .X ± .50 .XX ± .25		 BETTER WATER. BETTER WORLD.™	
DO NOT SCALE DRAWING		DRAWN BY: ESG		DESCRIPTION: TANK DETAILS	
SHEET 4 OF 7		DATE: 12/28/2023		PART NUMBER: MyFAST 12.0	
SCALE: 1:90		APPROVED BY: MSH		REV: -	
SIZE: B		APPROVED BY DATE: 12/28/2023			



NOTES:

1. MyTEE® screens provide separation of nonbiological solids and grit.
2. Each 1638 MyTEE® unit should be placed under a 24" [61cm] riser for proper operation of the internal and external swabs.
3. Tank inlet flow line must be at least 2" [5cm] above the emergency overflow outlet flow line.
4. See table for required MyTEE® quantities and maximum tank volume.
5. Outlet pipe not included.
6. All appurtenances to MyTEE® (e.g. septic tank, access risers, etc.) must conform to all applicable codes.
7. See additional details in MyFAST® Installation Manual.


IF INSTALLED AS SHOWN IN A SINGLE COMPARTMENT TANK, THE Ø8" PVC PIPE MUST BE WATER TIGHT WITHIN THE TANK AND FLUSH AGAINST THE INSIDE TO MOUNT 16" MyTEE® BOTTOM DIVERTER

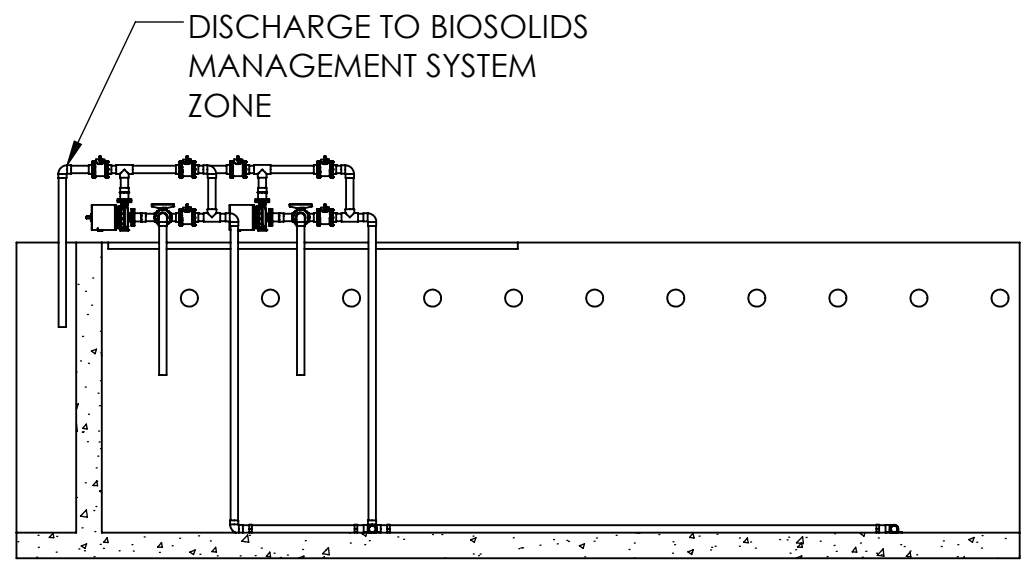
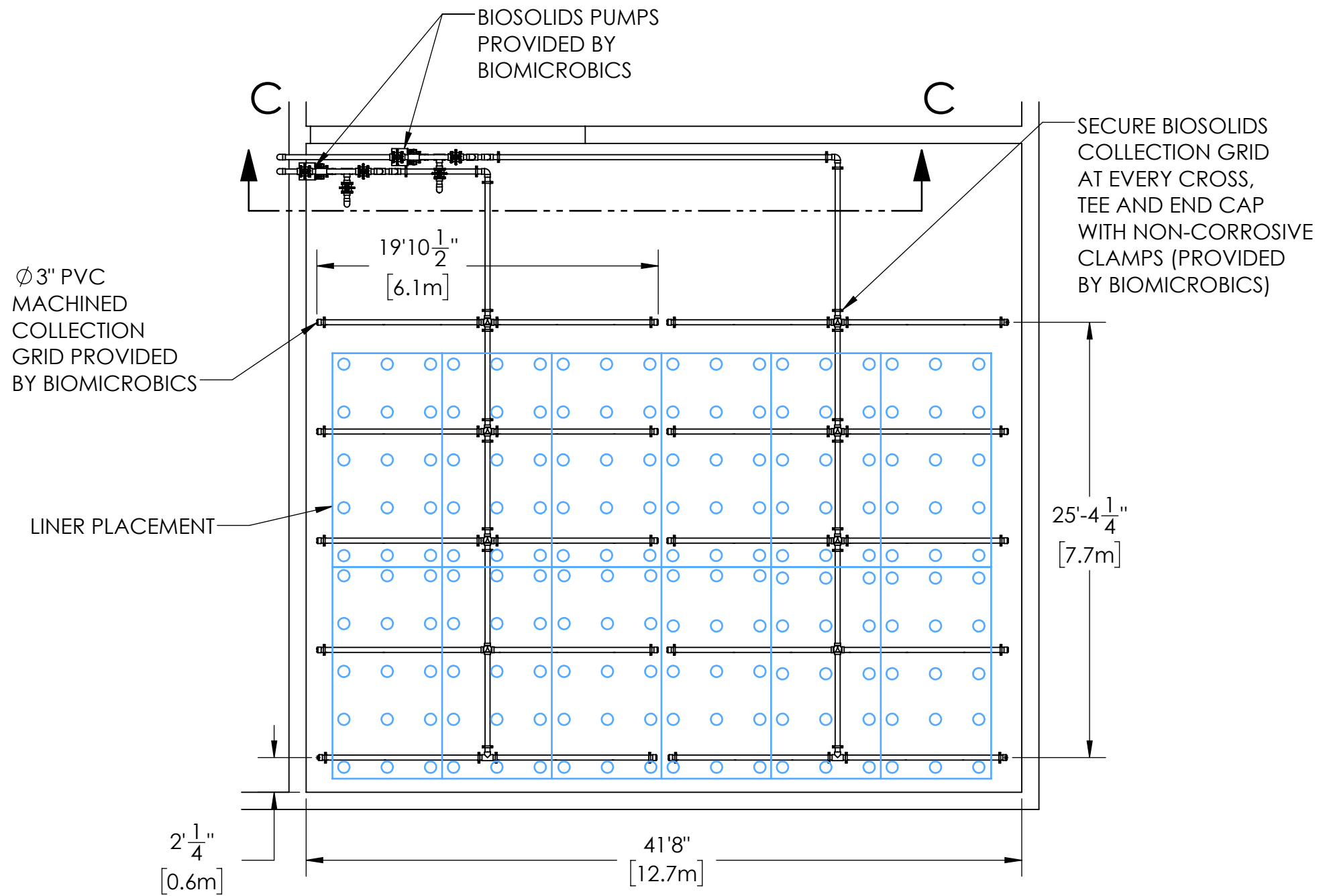


DETAIL B
SCALE 1 : 15

OUTLET
OPTIONAL
Ø8" PVC PIPE PROVIDED
BY OTHERS TO CONNECT
OUTLET TO SECONDARY
TANK

MyTEE® 1638 SCREEN			
MyFAST® MODEL	FLOW	MAXIMUM TANK VOLUMES	MyTEE® QUANTITY
2.0	20,000 GPD [76 M3/DAY]	(1) 2500 GAL [10M3] TANK	1
3.0	30,000 GPD [114 M3/DAY]	(1) 3750 GAL [10M3] TANK	2
4.0	40,000 GPD [150 M3/DAY]	(1) 5000 GAL [10M3] TANK	2
6.0	60,000 GPD [230 M3/DAY]	(1) 7500 GAL [10M3] TANK	3
8.0	80,000 GPD [300 M3/DAY]	(1) 10000 GAL [10M3] TANK	4
10.0	100,000 GPD [379 M3/DAY]	(1) 12500 GAL [10M3] TANK	5
12.0	120,000 GPD [454 M3/DAY]	(1) 15000 GAL [10M3] TANK	6
16.0	160,000 GPD [600 M3/DAY]	(1) 20000 GAL [10M3] TANK	8


PROPRIETARY AND CONFIDENTIAL THE INFORMATION CONTAINED IN THIS DRAWING IS THE SOLE PROPERTY OF BIO-MICROBICS, INC.. ANY REPRODUCTION IN PART OR AS A WHOLE WITHOUT THE WRITTEN PERMISSION OF BIO-MICROBICS, INC. IS PROHIBITED. DO NOT SCALE DRAWING	UNLESS OTHERWISE SPECIFIED DIMENSIONS ARE IN INCHES AND TOLERANCES ARE AS FOLLOWS X° ± 1° .X ± .50 .XX ± .25	 BETTER WATER. BETTER WORLD.
	DRAWN BY: ESG	
SHEET 5 OF 7	DATE: 12/28/2023	PART NUMBER MyFAST 12.0
SCALE: 1:90	SIZE: B	APPROVED BY: MSH
APPROVED BY DATE: 12/28/2023		REV -



SECTION C-C

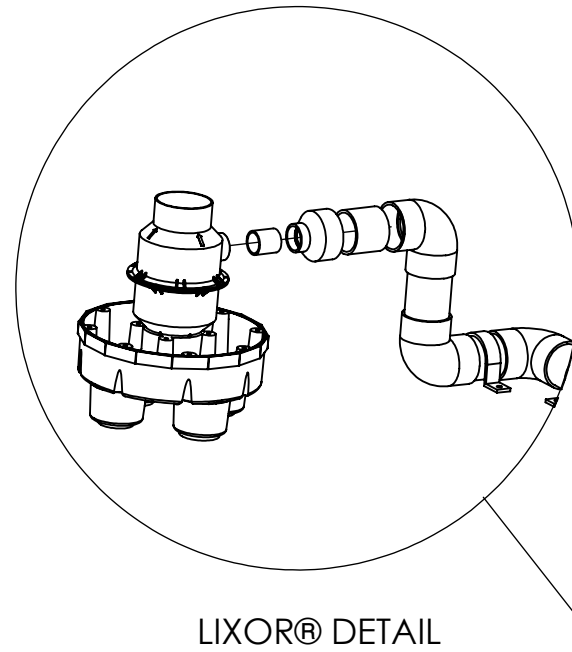
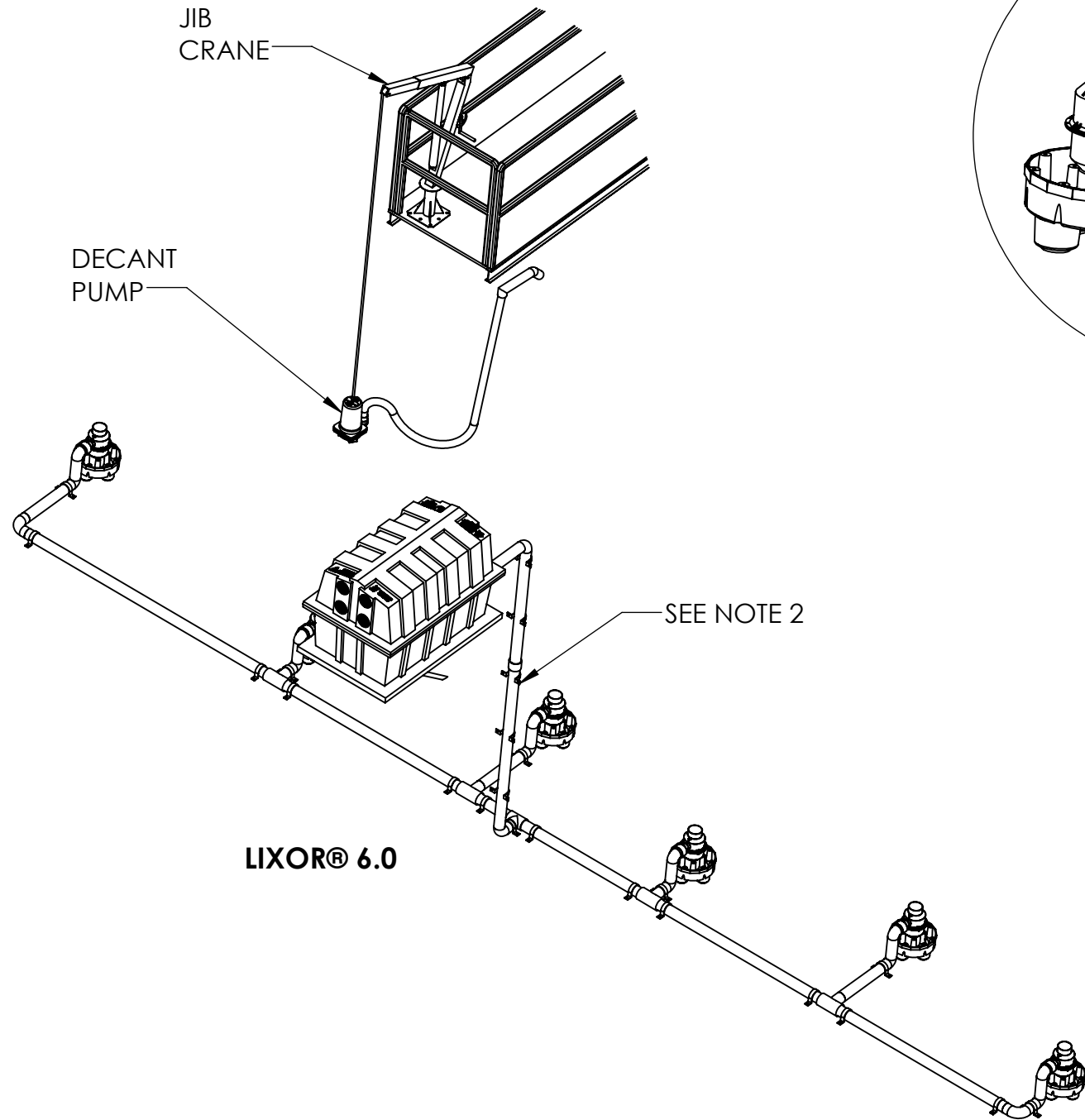
NOTE:
ALL Ø3" PVC PIPE SHOWN
IN SECTION C-C WILL BE
PROVIDED BY BIOMICROBICS.



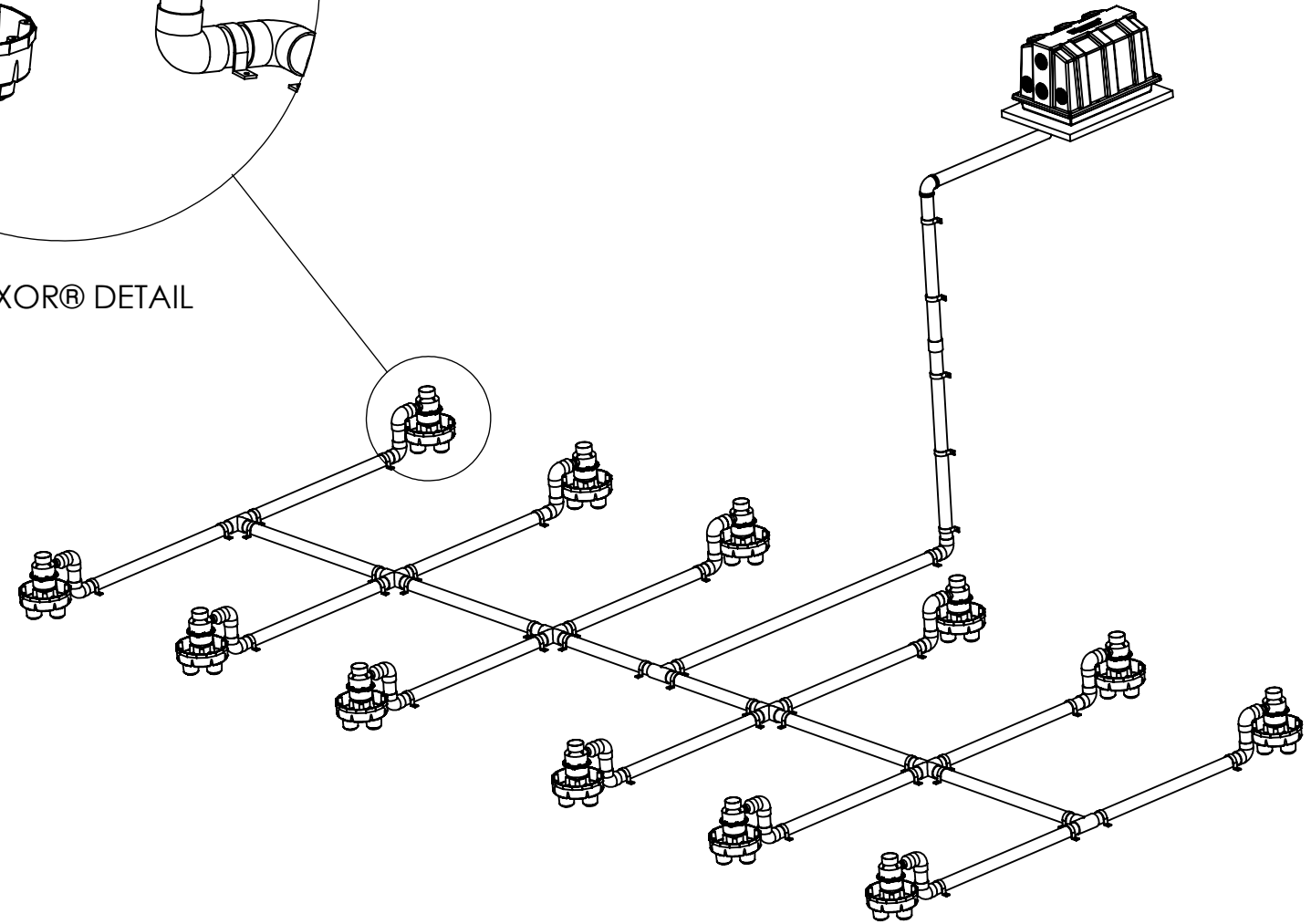
PROPRIETARY AND CONFIDENTIAL THE INFORMATION CONTAINED IN THIS DRAWING IS THE SOLE PROPERTY OF BIO-MICROBICS, INC.. ANY REPRODUCTION IN PART OR AS A WHOLE WITHOUT THE WRITTEN PERMISSION OF BIO-MICROBICS, INC. IS PROHIBITED.		UNLESS OTHERWISE SPECIFIED DIMENSIONS ARE IN INCHES AND TOLERANCES ARE AS FOLLOWS X° ± 1° .X ± .50 .XX ± .25	 BETTER WATER. BETTER WORLD.™
DO NOT SCALE DRAWING		DRAWN BY: ESG DATE: 12/28/2023	
SHEET 6 OF 7		APPROVED BY: MSH	PART NUMBER MyFAST 12.0
SCALE: 1:90	SIZE: B	APPROVED BY DATE: 12/28/2023	REV -

Biosolids Management System (BMS) Option


Aeration Management System (AMS) Option



LIXOR® DETAIL



- NOTES:
- Blower piping to LIXOR® may not exceed 100 FT [30.5m] in total length and use a maximum of 6 elbows, to get to the tank. For distances greater than 100 FT [30.5m] - consult factory. Blower must be located above flood/standing water levels on a concrete base 36" X 58" X 2" [91x147x5cm] minimum.
 - The air supply line must be secured with a non-corrosive clamp every 2FT [0.6m] minimum to prevent vibration induced damage.
 - Installation of the LIXOR® shall be done in accordance with the written instructions provided by the manufacturer. Refer to LIXOR® Installation Manual for more details.

<p>PROPRIETARY AND CONFIDENTIAL THE INFORMATION CONTAINED IN THIS DRAWING IS THE SOLE PROPERTY OF BIO-MICROBICS, INC.. ANY REPRODUCTION IN PART OR AS A WHOLE WITHOUT THE WRITTEN PERMISSION OF BIO-MICROBICS, INC. IS PROHIBITED.</p> <p>DO NOT SCALE DRAWING</p>	<p>UNLESS OTHERWISE SPECIFIED DIMENSIONS ARE IN INCHES AND TOLERANCES ARE AS FOLLOWS</p> <p>X° ± 1° .X ± .50 .XX ± .25</p>		
	<p>DRAWN BY: ESG</p> <p>DATE: 12/28/2023</p>	<p>DESCRIPTION OPTIONS</p>	
<p>SHEET 7 OF 7</p>		<p>APPROVED BY: MSH</p> <p>APPROVED BY DATE: 12/28/2023</p>	<p>PART NUMBER MyFAST 12.0</p>
<p>SCALE: 1:90</p>	<p>SIZE: B</p>	<p>REV</p>	<p>-</p>