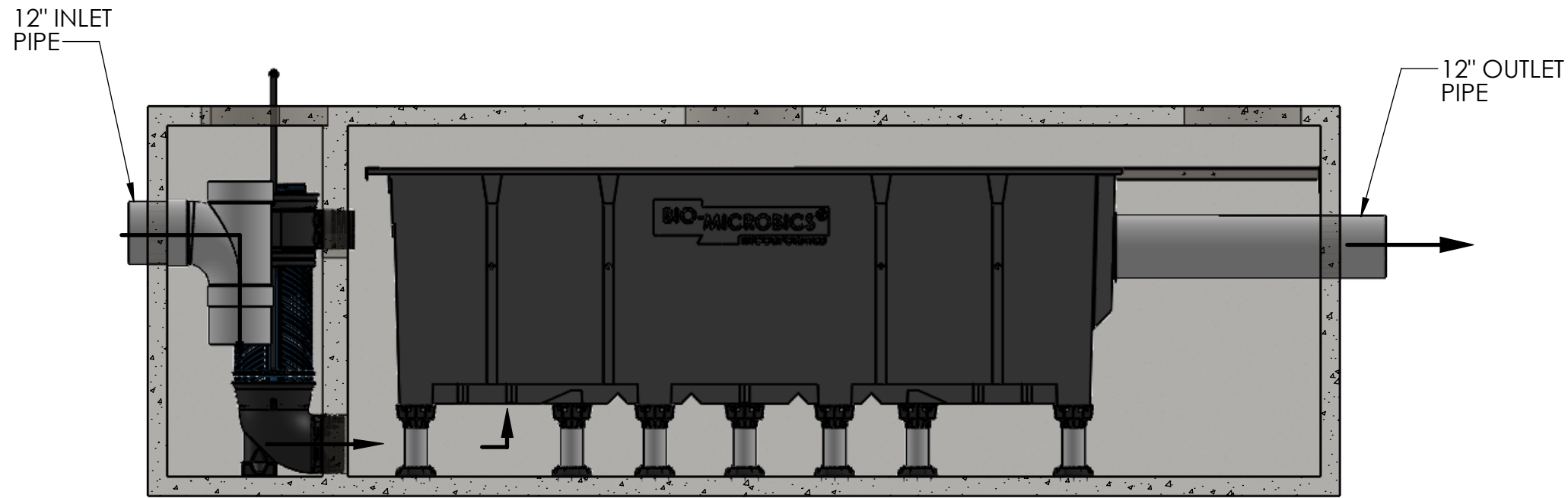
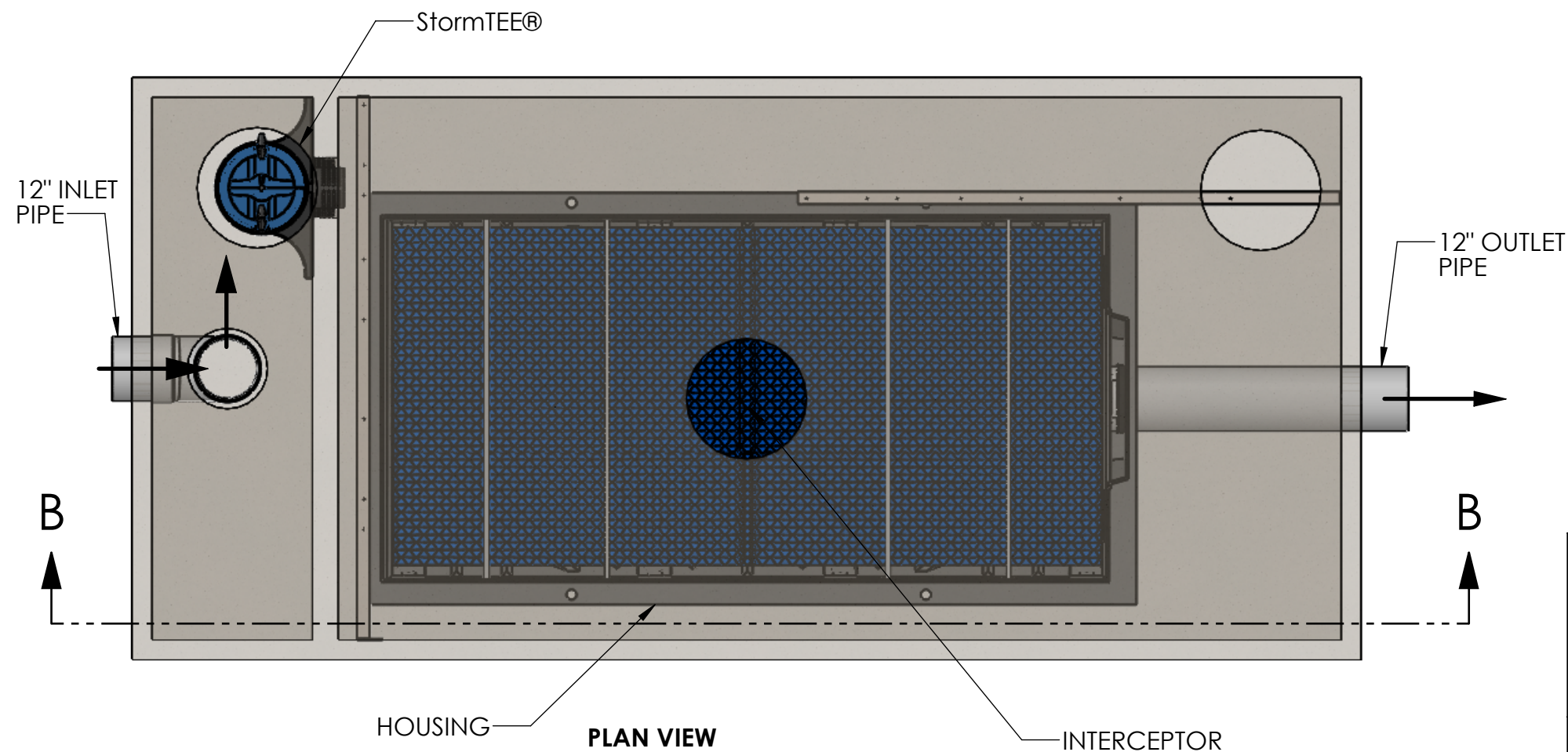


**NOTES:**  
1. SOME ITEMS REMOVED FOR CLARITY

PROPRIETARY AND CONFIDENTIAL THE INFORMATION CONTAINED IN THIS DRAWING IS THE SOLE PROPERTY OF BIO-MICROBICS, INC.. ANY REPRODUCTION IN PART OR AS A WHOLE WITHOUT THE WRITTEN PERMISSION OF BIO-MICROBICS, INC. IS PROHIBITED.		UNLESS OTHERWISE SPECIFIED DIMENSIONS ARE IN INCHES AND TOLERANCES ARE AS FOLLOWS X° ± 1° .X ± .50 .XX ± .25			
		DRAWN BY: ESG			
DO NOT SCALE DRAWING		DATE: 4/12/2024		PART NUMBER BIOSTORM 5.0	
SHEET 1 OF 4		APPROVED BY: AZ		REV A	
SCALE: 1:30	SIZE: B	APPROVED BY DATE: 4/12/2024			

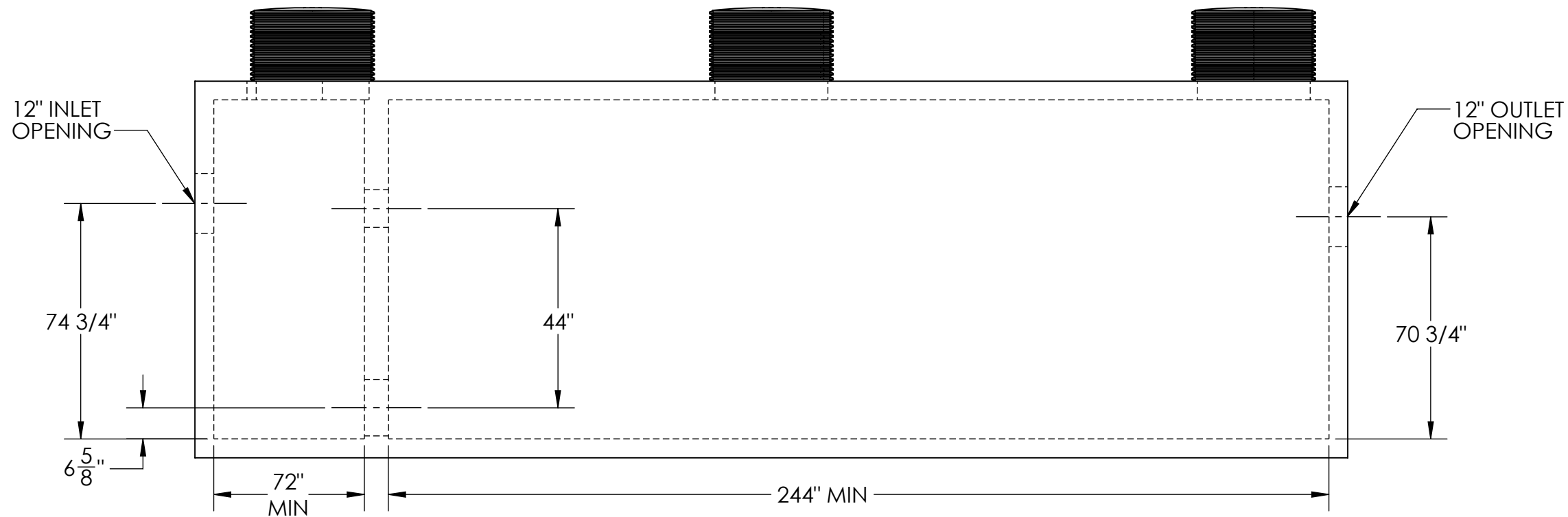


SECTION B-B

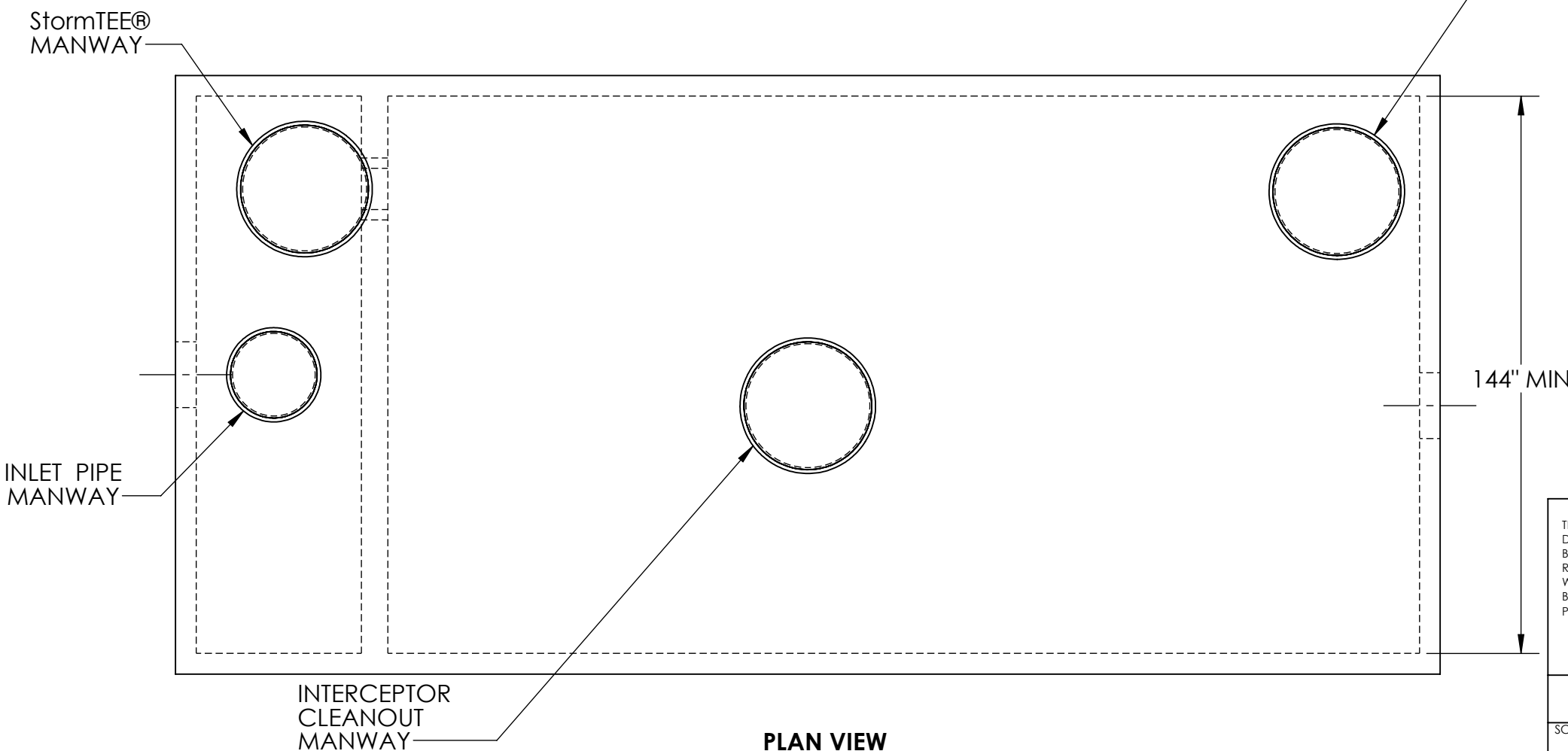


NOTES:  
1. SOME ITEMS REMOVED FOR CLARITY.

<p><b>PROPRIETARY AND CONFIDENTIAL</b> THE INFORMATION CONTAINED IN THIS DRAWING IS THE SOLE PROPERTY OF BIO-MICROBICS, INC.. ANY REPRODUCTION IN PART OR AS A WHOLE WITHOUT THE WRITTEN PERMISSION OF BIO-MICROBICS, INC. IS PROHIBITED.</p>		<p>UNLESS OTHERWISE SPECIFIED DIMENSIONS ARE IN INCHES AND TOLERANCES ARE AS FOLLOWS X° ± 1° .X ± .50 .XX ± .25</p>		
<p>DO NOT SCALE DRAWING</p>		<p>DRAWN BY: ESG</p>	<p>DESCRIPTION BIOSTORM 5.0 FLOW DIAGRAM</p>	
<p>SHEET 2 OF 4</p>		<p>DATE: 4/12/2024</p>	<p>APPROVED BY: AZ</p>	
<p>SCALE: 1:30</p>	<p>SIZE: B</p>	<p>APPROVED BY DATE: 4/12/2024</p>	<p>PART NUMBER BIOSTORM 5.0</p>	<p>REV A</p>



**SIDE VIEW**




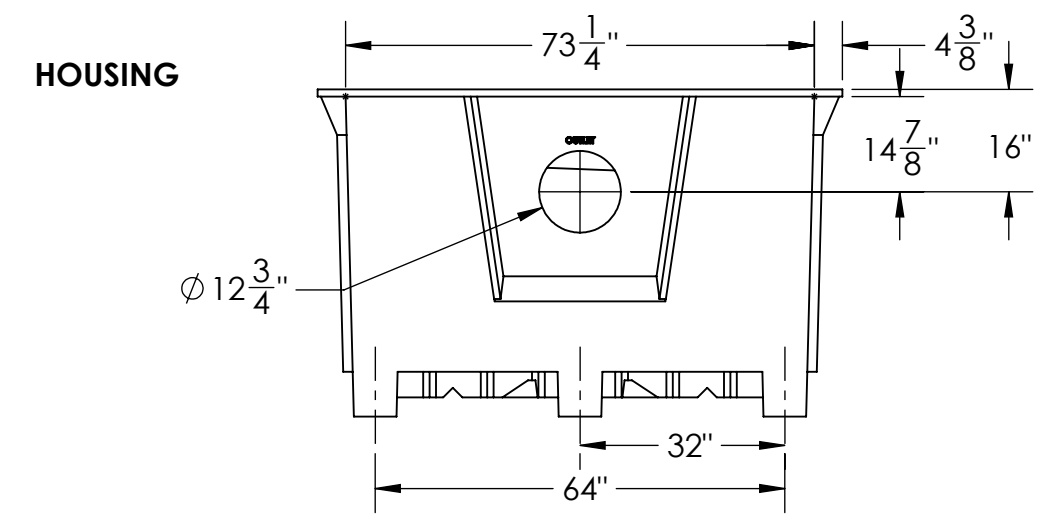
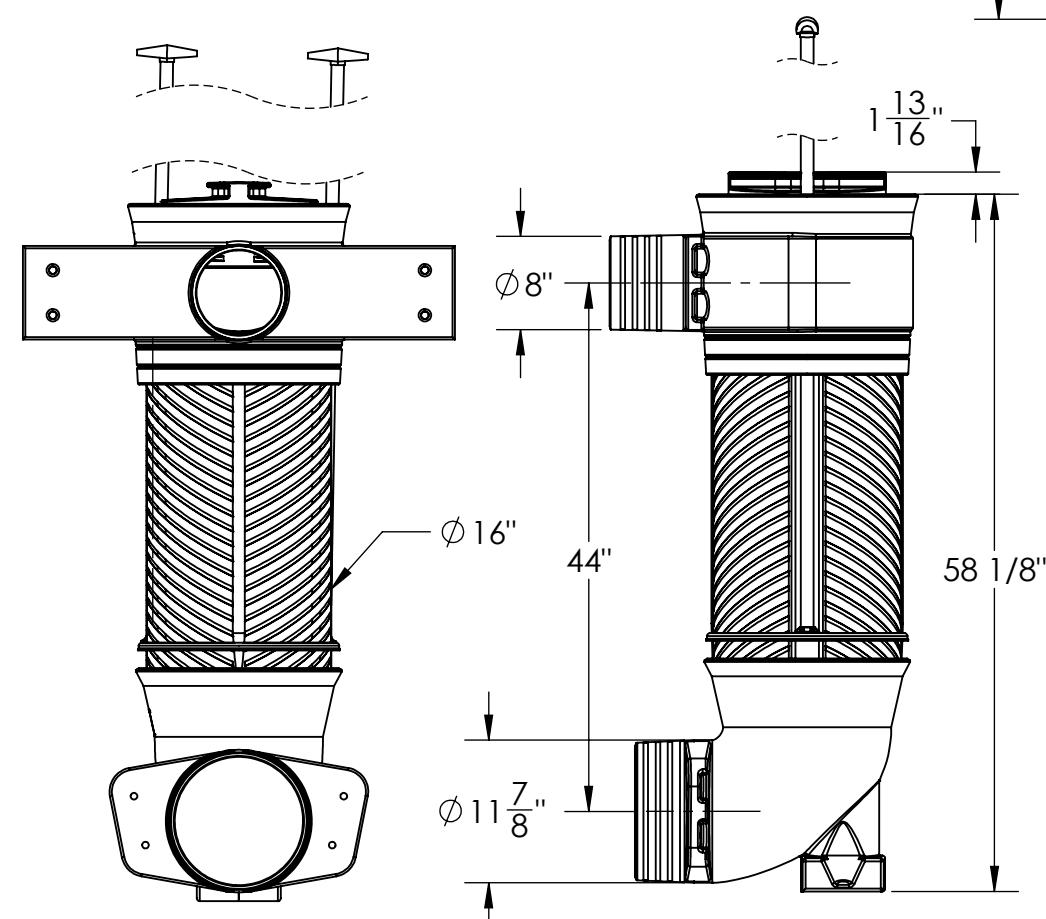
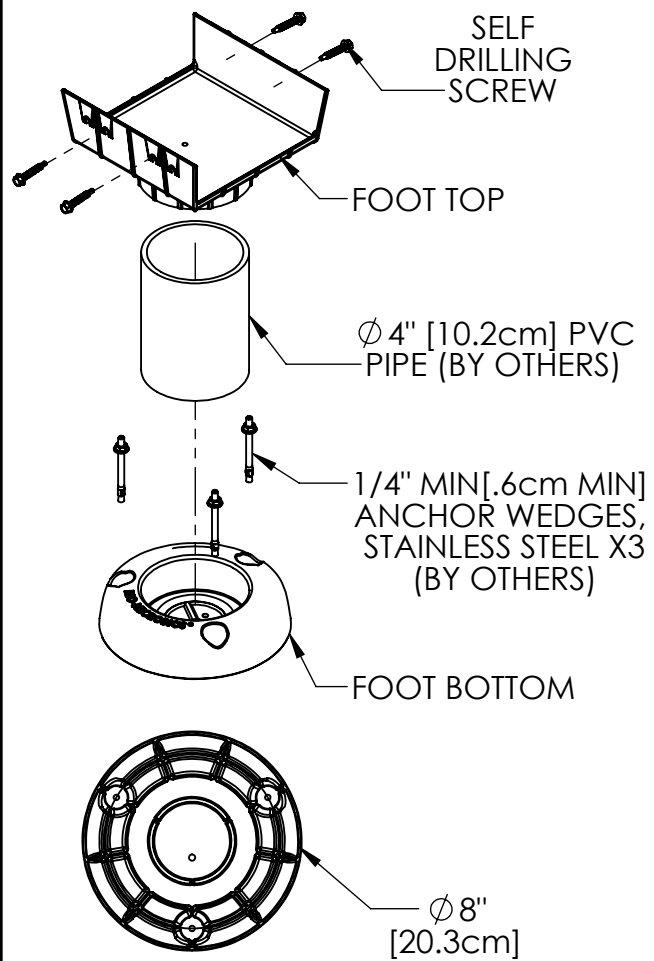
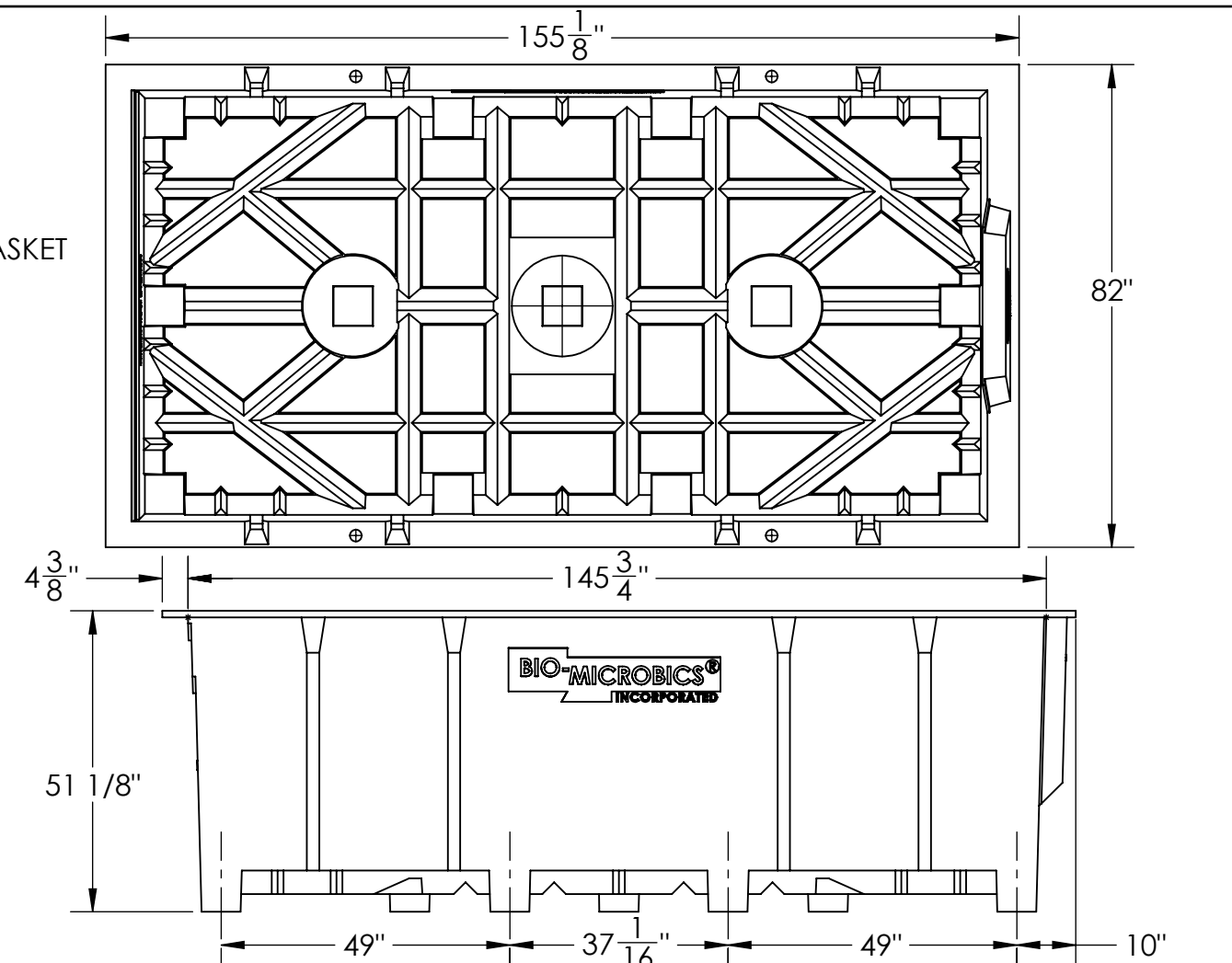
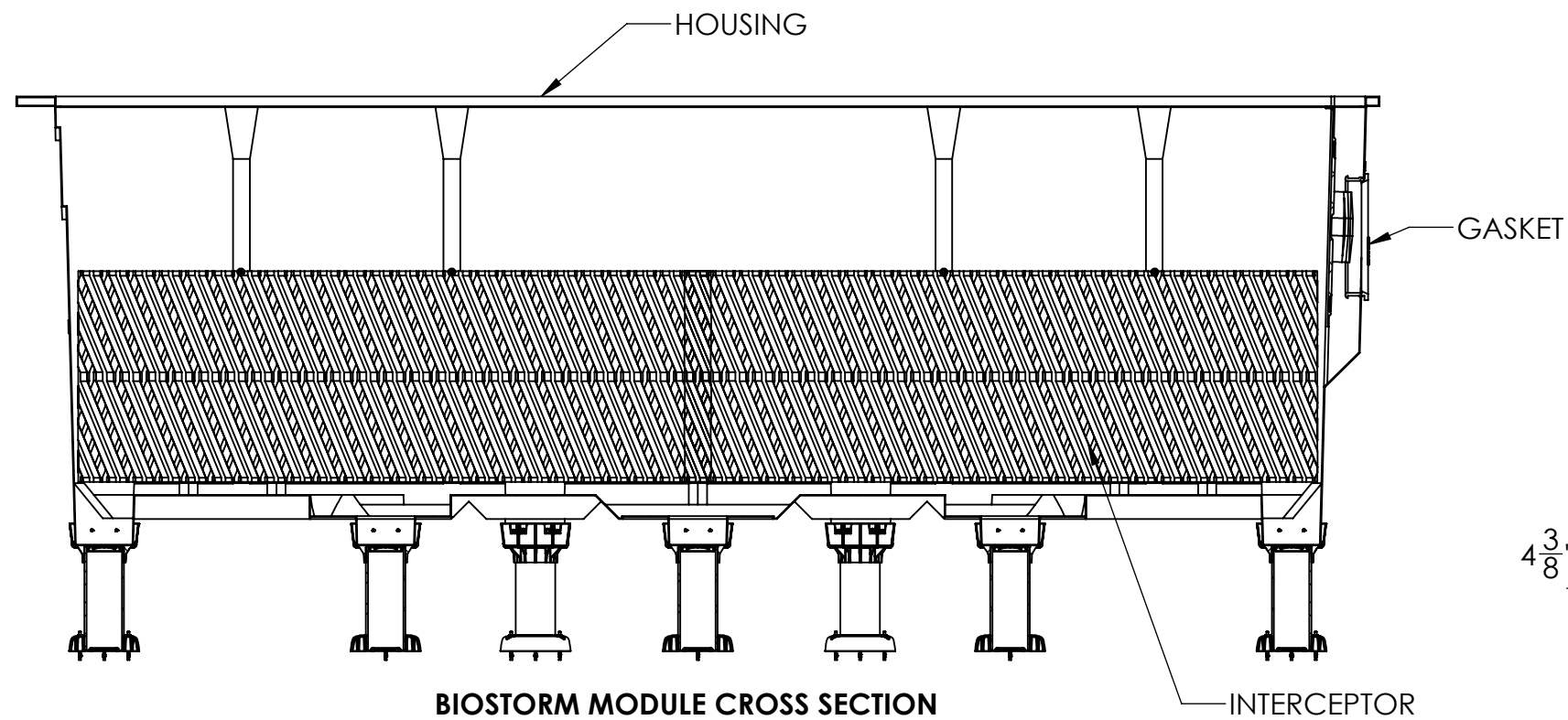
**PLAN VIEW**

SEDIMENT REMOVAL  
MANWAY


**NOTES:**

1. SOME ITEMS ARE REMOVED FOR CLARITY.
2. INLET PIPE MUST BE INSTALLED AT A WIDTH EQUIVALENT TO HALF OF THE PRIMARY TREATMENT CHAMBER WIDTH.
3. INTERCEPTOR CLEANOUT CAN BE SIZED AS 8", 16" OR 24".
4. A 24" StormTEE MANWAY AND SEDIMENT REMOVAL MANWAY IS REQUIRED.
5. INTERCEPTOR CLEANOUT MANWAY MUST BE CENTERED ABOVE THE INTERCEPTOR.
6. BIOMICROBICS RECOMMENDS A 1-2% PIPE SLOPE INTO THE SYSTEM AND BEFORE THE INVERT.
7. DEPENDING ON PROJECT REQUIREMENTS, PRIMARY AND SECONDARY CHAMBERS MAY BE CONSTRUCTED SEPARATELY.
8. TOTAL FOOT ASSEMBLY HEIGHT SHOULD NOT BE LESS THAN 12 INCHES.
9. BRACING SUPPORT IS REQUIRED TO SUPPORT THE HOUSING FOR BioSTORM MODELS 5.0 AND 10.0

<p><b>PROPRIETARY AND CONFIDENTIAL</b> THE INFORMATION CONTAINED IN THIS DRAWING IS THE SOLE PROPERTY OF BIO-MICROBICS, INC.. ANY REPRODUCTION IN PART OR AS A WHOLE WITHOUT THE WRITTEN PERMISSION OF BIO-MICROBICS, INC. IS PROHIBITED.</p> <p>DO NOT SCALE DRAWING</p>	<p>UNLESS OTHERWISE SPECIFIED DIMENSIONS ARE IN INCHES AND TOLERANCES ARE AS FOLLOWS</p> <p>X° ± 1° .X ± .50 .XX ± .25</p>	 <p>BETTER WATER. BETTER WORLD.™</p>	
	<p>DRAWN BY: ESG</p>	<p>DESCRIPTION BIOSTORM 5.0 TANK DETAILS</p>	
<p>SHEET 3 OF 4</p>	<p>DATE: 4/12/2024</p>	<p>PART NUMBER BIOSTORM 5.0</p>	
<p>SCALE: 1:28</p>	<p>SIZE: B</p>	<p>APPROVED BY: AZ</p>	<p>REV A</p>
		<p>APPROVED BY DATE: 4/12/2024</p>	



**NOTES:**  
 1. ITEMS ARE DEPICTIONS AND MAY VARY IN APPEARANCE.

PROPRIETARY AND CONFIDENTIAL THE INFORMATION CONTAINED IN THIS DRAWING IS THE SOLE PROPERTY OF BIO-MICROBICS, INC.. ANY REPRODUCTION IN PART OR AS A WHOLE WITHOUT THE WRITTEN PERMISSION OF BIO-MICROBICS, INC. IS PROHIBITED.		UNLESS OTHERWISE SPECIFIED DIMENSIONS ARE IN INCHES AND TOLERANCES ARE AS FOLLOWS X° ± 1° .X ± .50 .XX ± .25		 BETTER WATER. BETTER WORLD.™	
DO NOT SCALE DRAWING		DRAWN BY: ESG		DESCRIPTION: BIOSTORM 5.0 UNIT COMPONENTS	
SHEET 4 OF 4		DATE: 4/12/2024		PART NUMBER: BIOSTORM 5.0	
SCALE: N/A		APPROVED BY: AZ		REV: A	
SIZE: B		APPROVED BY DATE: 4/12/2024			