
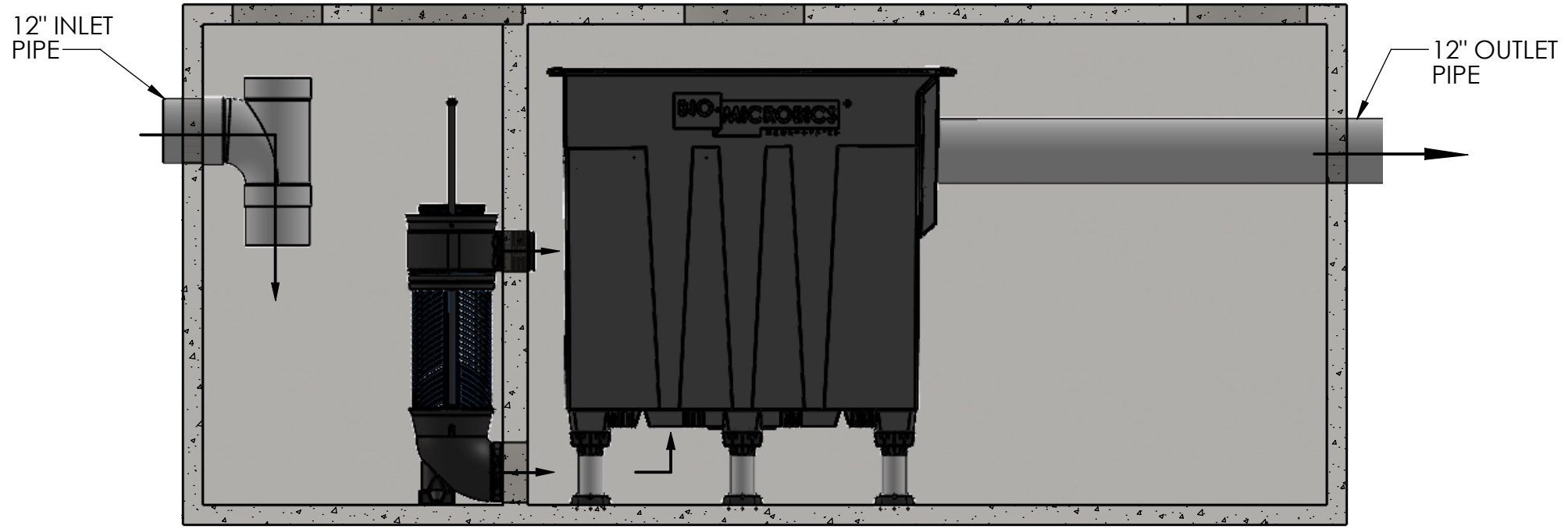
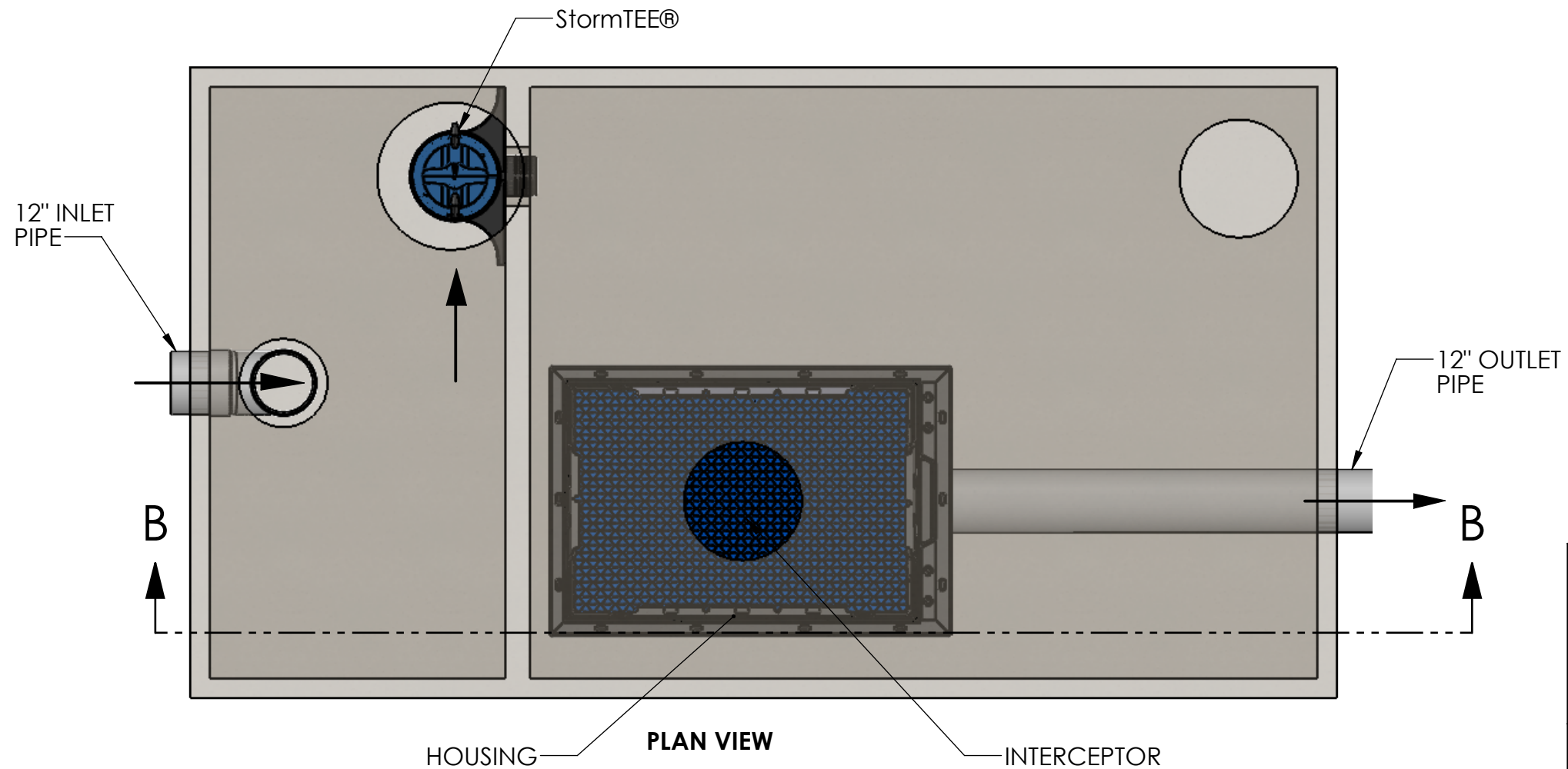


**NOTES:**  
1. SOME ITEMS REMOVED FOR CLARITY

<small>PROPRIETARY AND CONFIDENTIAL</small> <small>THE INFORMATION CONTAINED IN THIS DRAWING IS THE SOLE PROPERTY OF BIO-MICROBICS, INC.. ANY REPRODUCTION IN PART OR AS A WHOLE WITHOUT THE WRITTEN PERMISSION OF BIO-MICROBICS, INC. IS PROHIBITED.</small>		<small>UNLESS OTHERWISE SPECIFIED DIMENSIONS ARE IN INCHES AND TOLERANCES ARE AS FOLLOWS</small> X° ± 1° .X ± .50 .XX ± .25		 <small>BETTER WATER. BETTER WORLD.™</small>	
		<small>DRAWN BY:</small> ESG			
<small>DO NOT SCALE DRAWING</small>		<small>DATE:</small> 4/12/2024		<small>PART NUMBER</small> <b>BIOSTORM 3.0</b>	
		<small>APPROVED BY:</small> AZ		<small>REV</small> <b>A</b>	
<small>SCALE:</small> 1:35	<small>SIZE:</small> B	<small>APPROVED BY DATE:</small> 4/12/2024			




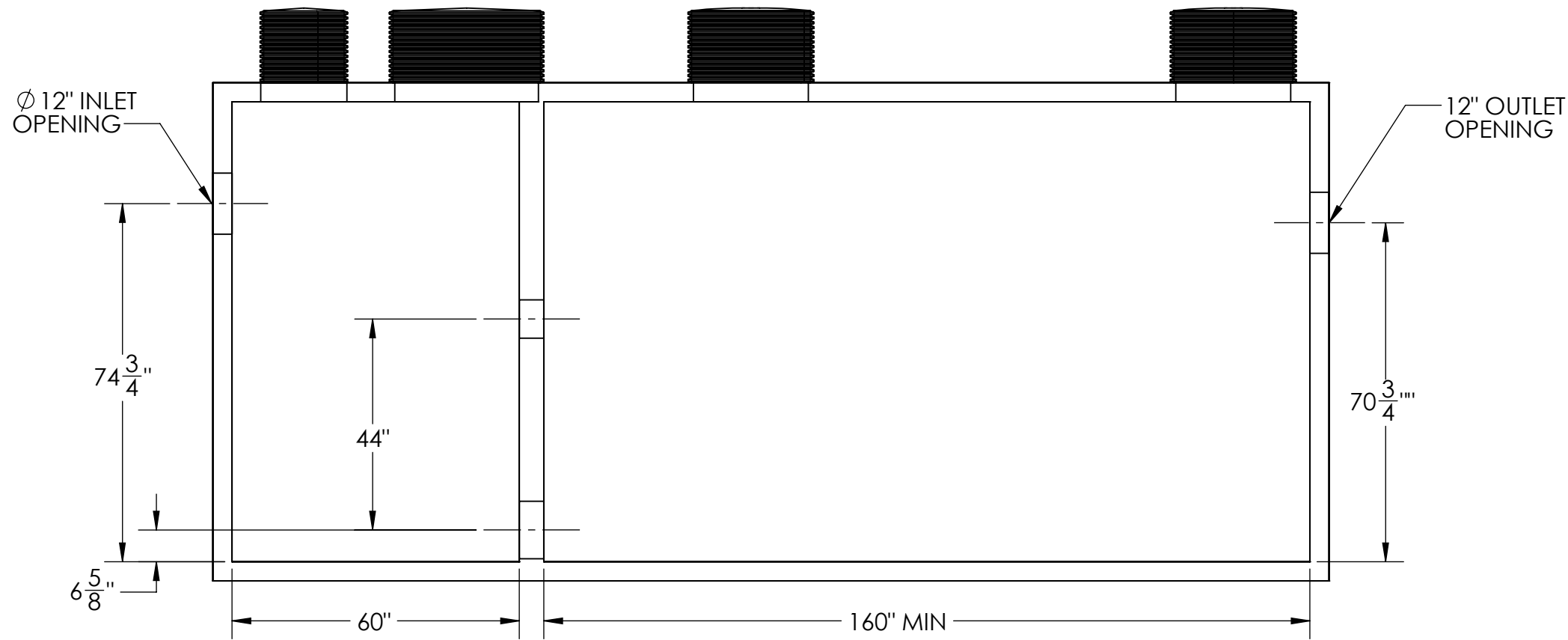
SECTION B-B



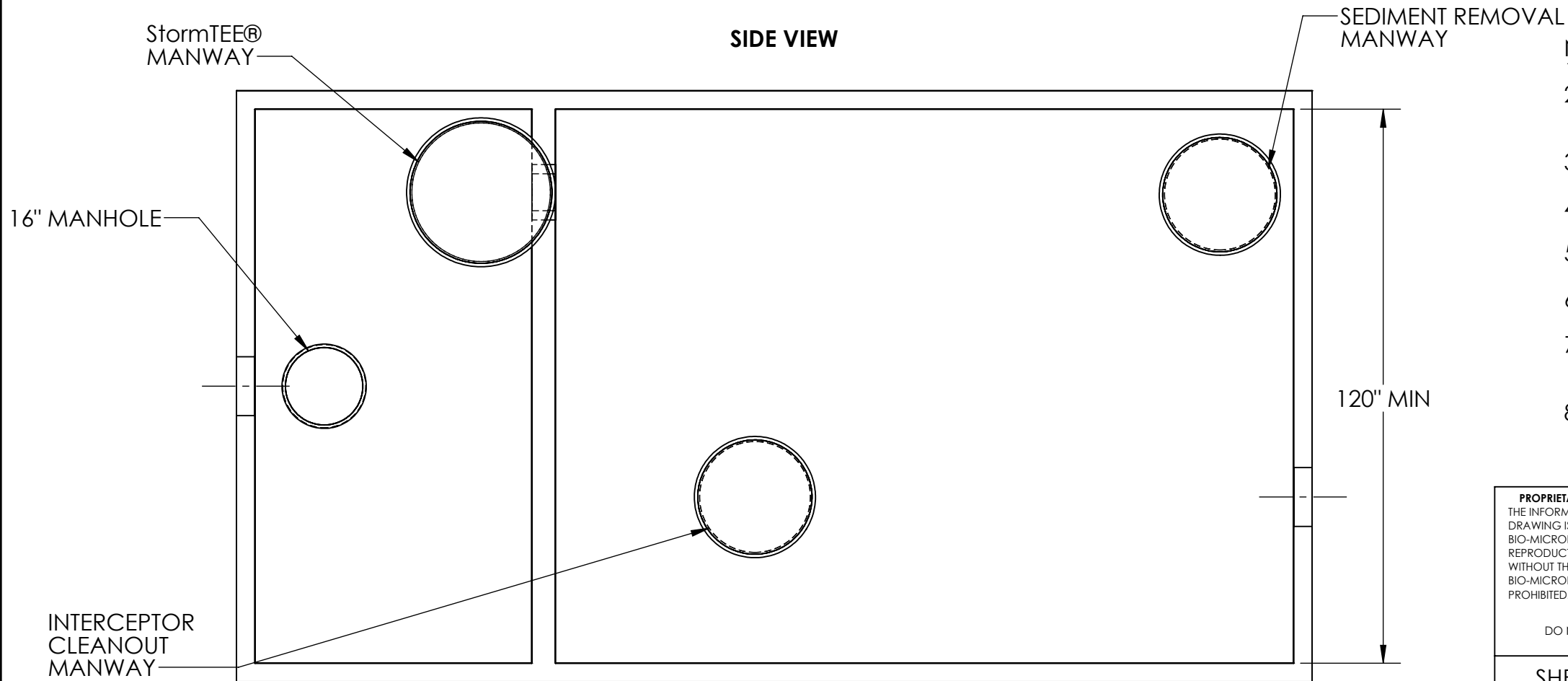
HOUSING PLAN VIEW INTERCEPTOR

NOTES:  
1. SOME ITEMS REMOVED FOR CLARITY.

<b>PROPRIETARY AND CONFIDENTIAL</b> THE INFORMATION CONTAINED IN THIS DRAWING IS THE SOLE PROPERTY OF BIO-MICROBICS, INC.. ANY REPRODUCTION IN PART OR AS A WHOLE WITHOUT THE WRITTEN PERMISSION OF BIO-MICROBICS, INC. IS PROHIBITED.	UNLESS OTHERWISE SPECIFIED DIMENSIONS ARE IN INCHES AND TOLERANCES ARE AS FOLLOWS $X^{\circ} \pm 1^{\circ}$ $.X \pm .50$ $.XX \pm .25$		
	DRAWN BY: <b>ESG</b>		
DO NOT SCALE DRAWING	APPROVED BY: <b>AZ</b>	PART NUMBER <b>BIOSTORM 3.0</b>	
SCALE: <b>1:30</b>	SIZE: <b>B</b>	APPROVED BY DATE: <b>4/12/2024</b>	REV <b>A</b>




**SIDE VIEW**

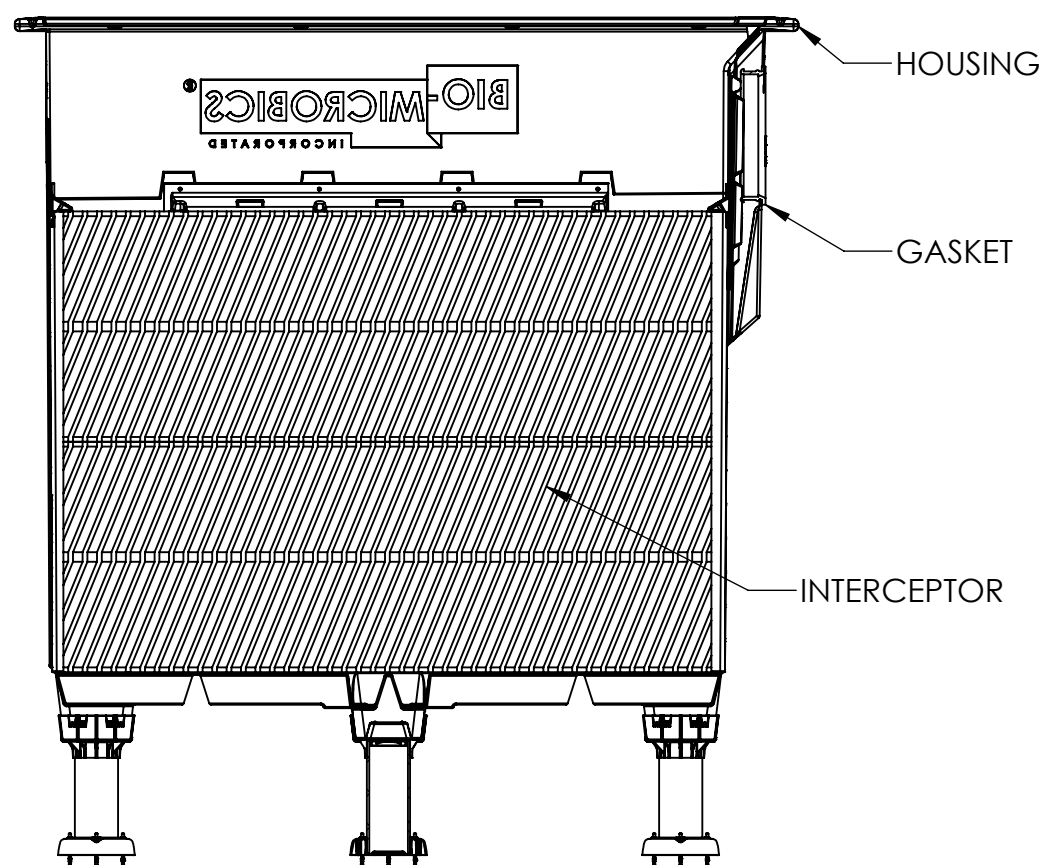


**PLAN VIEW**

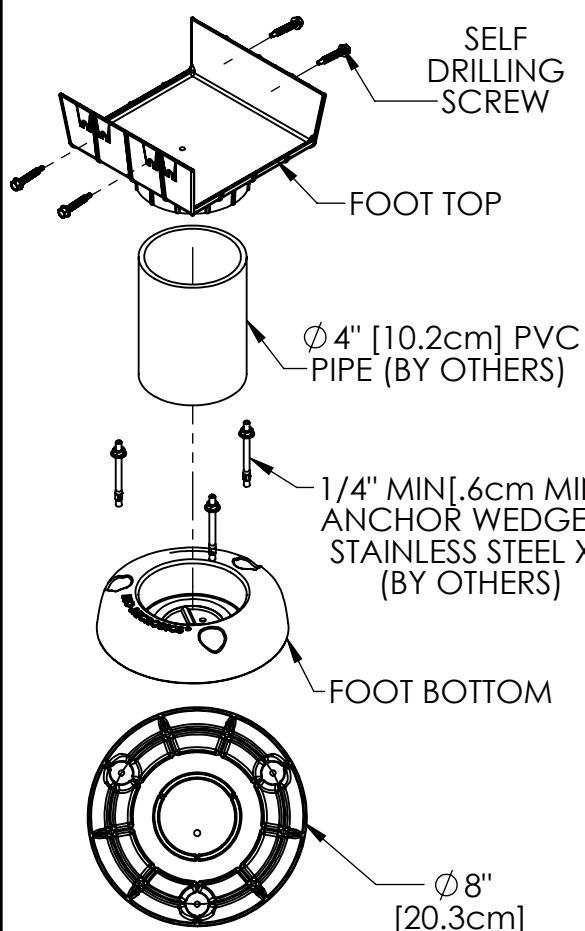
**NOTES:**

1. SOME ITEMS REMOVED FOR CLARITY.
2. INLET PIPE MUST BE INSTALLED AT A WIDTH EQUIVALENT TO HALF OF THE PRIMARY TREATMENT CHAMBER WIDTH.
3. INTERCEPTOR CLEANOUT MANWAY CAN BE SIZED AS 8", 16" OR 24".
4. A 24" StormTEE® MANWAY AND SEDIMENT REMOVAL MANWAY IS REQUIRED.
5. INTERCEPTOR CLEANOUT MANWAY MUST BE CENTERED ABOVE THE INTERCEPTOR.
6. BIOMICROBICS RECOMMENDS A 1-2% PIPE SLOPE INTO THE SYSTEM AND BEFORE THE INVERT.
7. DEPENDING ON PROJECT REQUIREMENTS, PRIMARY AND SECONDARY CHAMBERS MAY BE CONSTRUCTED SEPARATELY.
8. TOTAL FOOT ASSEMBLY HEIGHT SHOULD NOT BE LESS THAN 12 INCHES.

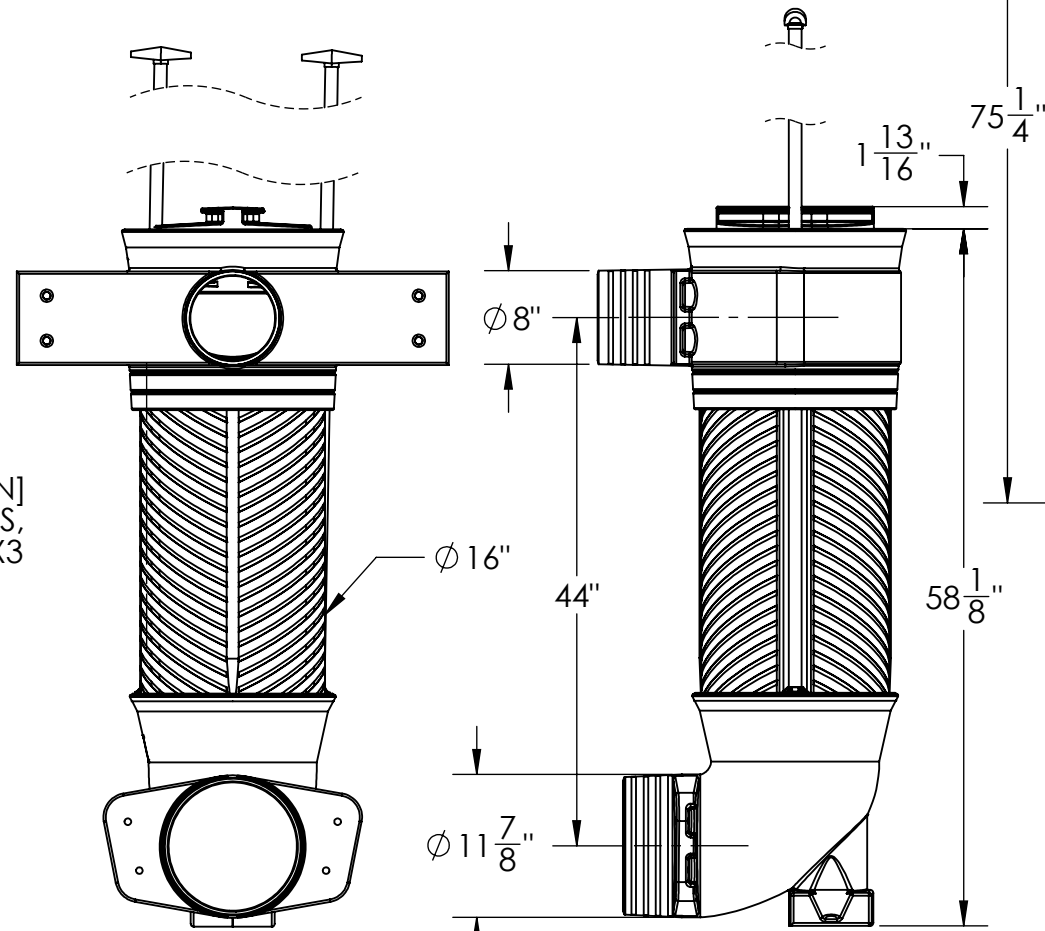
<b>PROPRIETARY AND CONFIDENTIAL</b> THE INFORMATION CONTAINED IN THIS DRAWING IS THE SOLE PROPERTY OF BIO-MICROBICS, INC.. ANY REPRODUCTION IN PART OR AS A WHOLE WITHOUT THE WRITTEN PERMISSION OF BIO-MICROBICS, INC. IS PROHIBITED.  DO NOT SCALE DRAWING	UNLESS OTHERWISE SPECIFIED DIMENSIONS ARE IN INCHES AND TOLERANCES ARE AS FOLLOWS X° ± 1° .X ± .50 .XX ± .25	 BETTER WATER. BETTER WORLD.™	
	DRAWN BY: <b>ESG</b>		
<b>SHEET 3 OF 4</b>	DATE: <b>4/12/2024</b>	APPROVED BY: <b>AZ</b>	
SCALE: <b>1:30</b>	SIZE: <b>B</b>	APPROVED BY DATE: <b>4/12/2024</b>	PART NUMBER <b>BIOSTORM 3.0</b>
			REV <b>A</b>



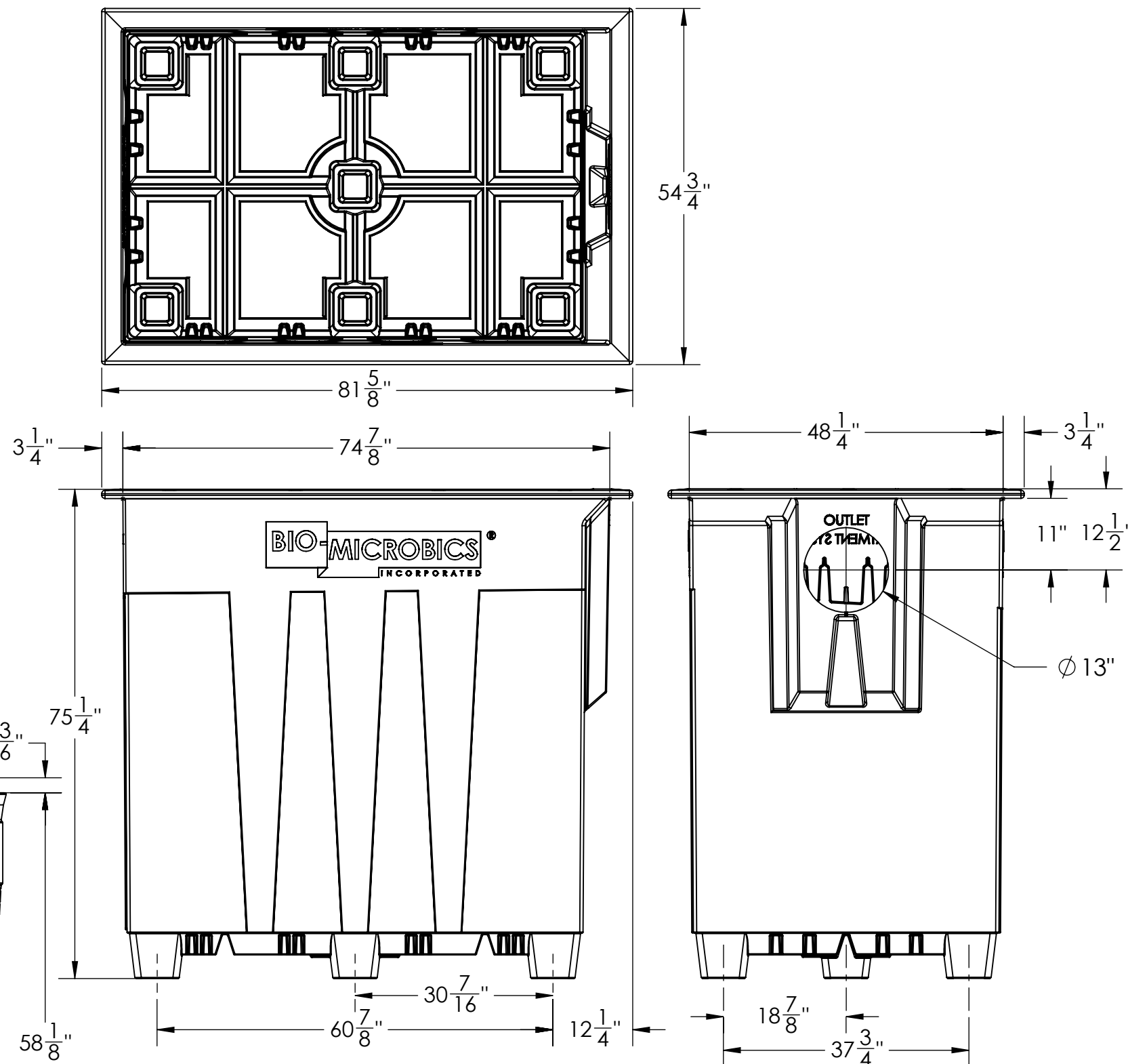
**BIOSTORM MODULE CROSS SECTION**



**FOOT ASSEMBLY**



**StormTEE**



**HOUSING**

**NOTES:**  
1. ITEMS ARE DEPICTIONS AND MAY VARY IN APPEARANCE.

<p>PROPRIETARY AND CONFIDENTIAL THE INFORMATION CONTAINED IN THIS DRAWING IS THE SOLE PROPERTY OF BIO-MICROBICS, INC.. ANY REPRODUCTION IN PART OR AS A WHOLE WITHOUT THE WRITTEN PERMISSION OF BIO-MICROBICS, INC. IS PROHIBITED.</p>		<p>UNLESS OTHERWISE SPECIFIED DIMENSIONS ARE IN INCHES AND TOLERANCES ARE AS FOLLOWS X° ±1° .X ±.50 .XX ±.25</p>		<p>BETTER WATER. BETTER WORLD.</p>	
<p>DO NOT SCALE DRAWING</p>		<p>DRAWN BY: ESG</p>		<p>DESCRIPTION BIOSTORM 3.0 UNIT COMPONENTS</p>	
<p>SHEET 4 OF 4</p>		<p>DATE: 4/12/2024</p>		<p>PART NUMBER BIOSTORM 3.0</p>	
<p>SCALE: N/A</p>		<p>APPROVED BY: AZ</p>		<p>REV A</p>	
<p>SIZE: B</p>		<p>APPROVED BY DATE: 4/12/2024</p>			