
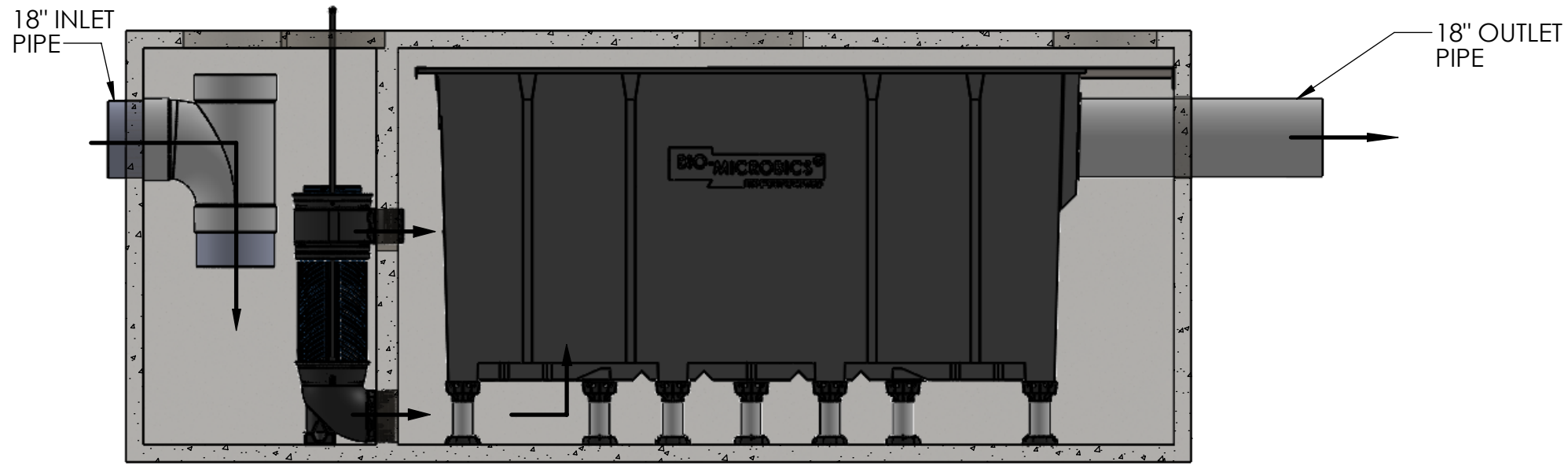
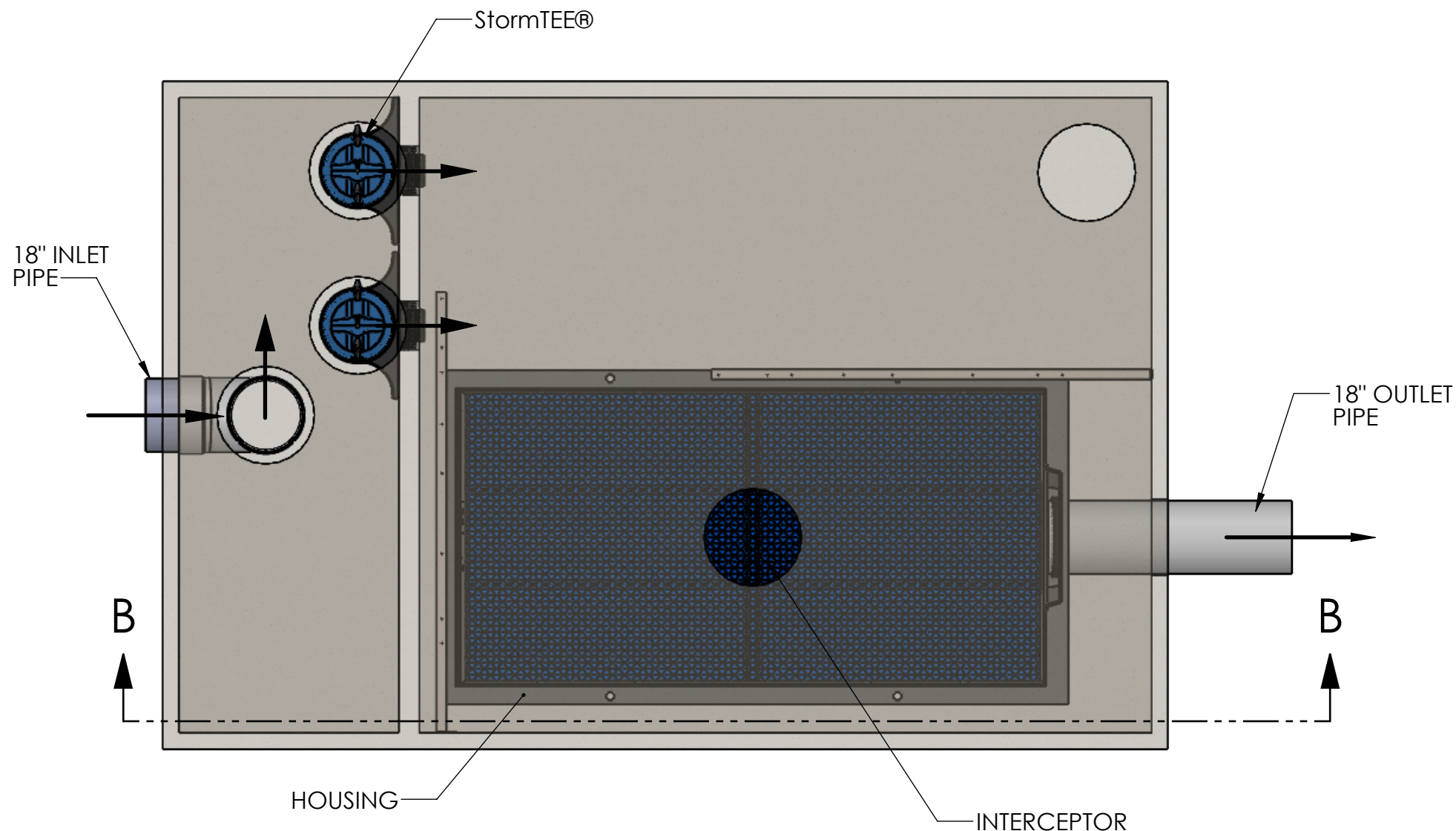


NOTES:
1. SOME ITEMS REMOVED FOR CLARITY

PROPRIETARY AND CONFIDENTIAL THE INFORMATION CONTAINED IN THIS DRAWING IS THE SOLE PROPERTY OF BIO-MICROBICS, INC.. ANY REPRODUCTION IN PART OR AS A WHOLE WITHOUT THE WRITTEN PERMISSION OF BIO-MICROBICS, INC. IS PROHIBITED.		UNLESS OTHERWISE SPECIFIED DIMENSIONS ARE IN INCHES AND TOLERANCES ARE AS FOLLOWS X° ± 1° .X ± .50 .XX ± .25		 BETTER WATER. BETTER WORLD.™	
		DRAWN BY: ESG			
DO NOT SCALE DRAWING		DATE: 4/12/2024		PART NUMBER BIOSTORM 10.0	
SHEET 1 OF 4		APPROVED BY: AZ		REV A	
SCALE: 1:35	SIZE: B	APPROVED BY DATE: 4/12/2024			




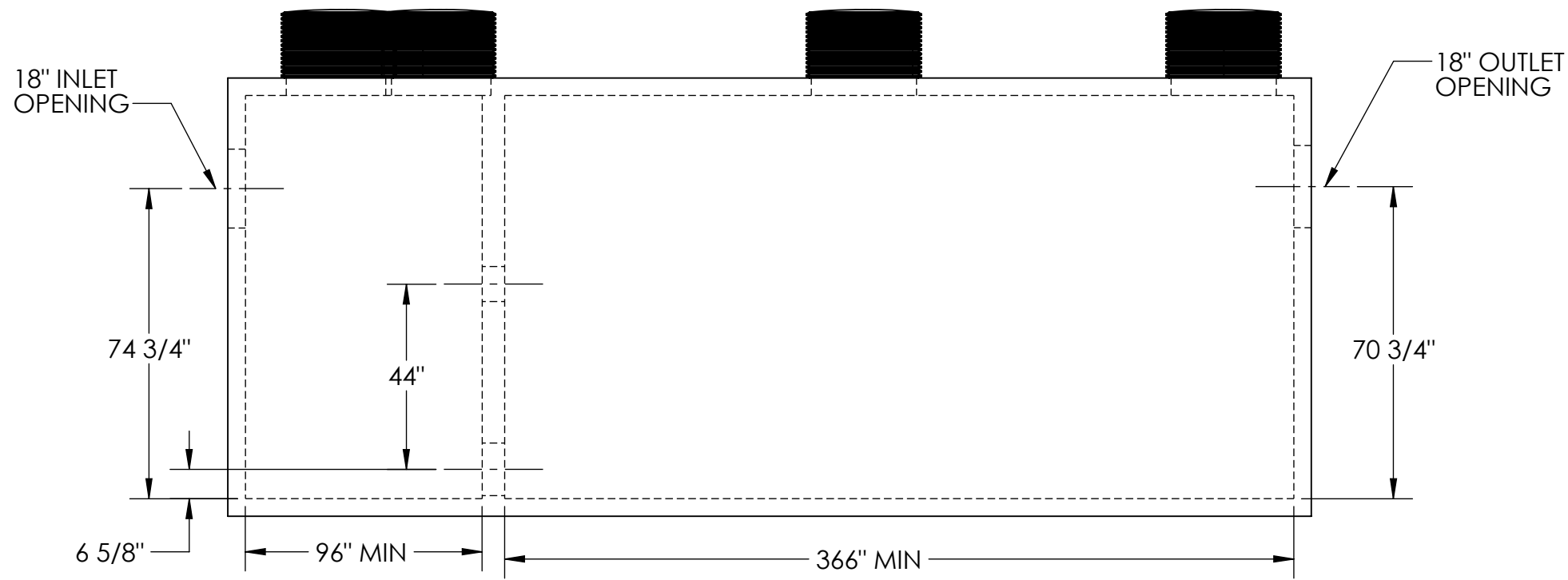
SECTION B-B



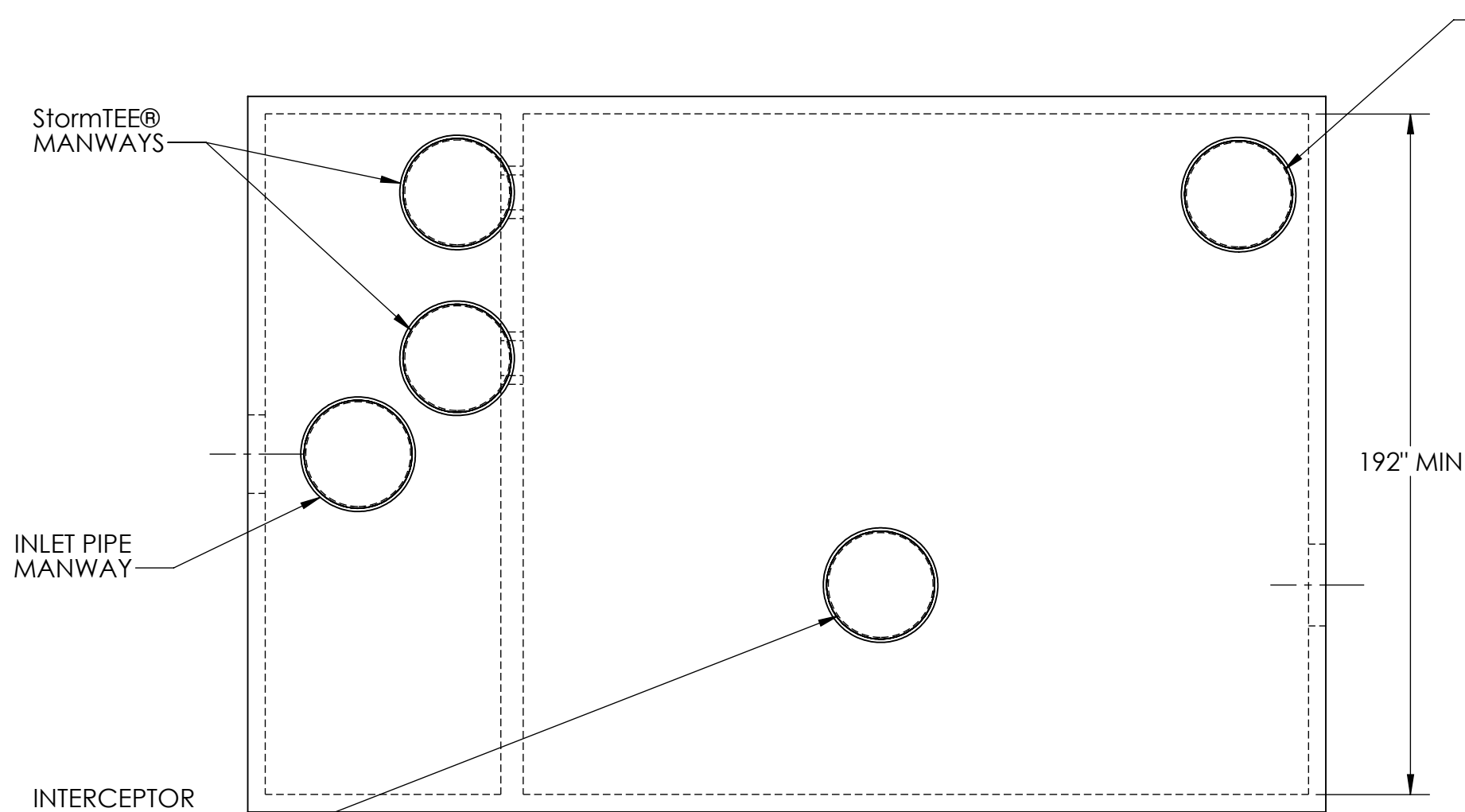
PLAN VIEW

NOTES:
1. SOME ITEMS REMOVED FOR CLARITY.

PROPRIETARY AND CONFIDENTIAL THE INFORMATION CONTAINED IN THIS DRAWING IS THE SOLE PROPERTY OF BIO-MICROBICS, INC.. ANY REPRODUCTION IN PART OR AS A WHOLE WITHOUT THE WRITTEN PERMISSION OF BIO-MICROBICS, INC. IS PROHIBITED.	UNLESS OTHERWISE SPECIFIED DIMENSIONS ARE IN INCHES AND TOLERANCES ARE AS FOLLOWS $X^{\circ} \pm 1^{\circ}$ $.X \pm .50$ $.XX \pm .25$		
	DRAWN BY: ESG		
DO NOT SCALE DRAWING	DATE: 4/12/2024	APPROVED BY: AZ	
SHEET 2 OF 4	APPROVED BY DATE: 4/12/2024	PART NUMBER BIOSTORM 10.0	REV A
SCALE: 1:35	SIZE: B		



SIDE VIEW




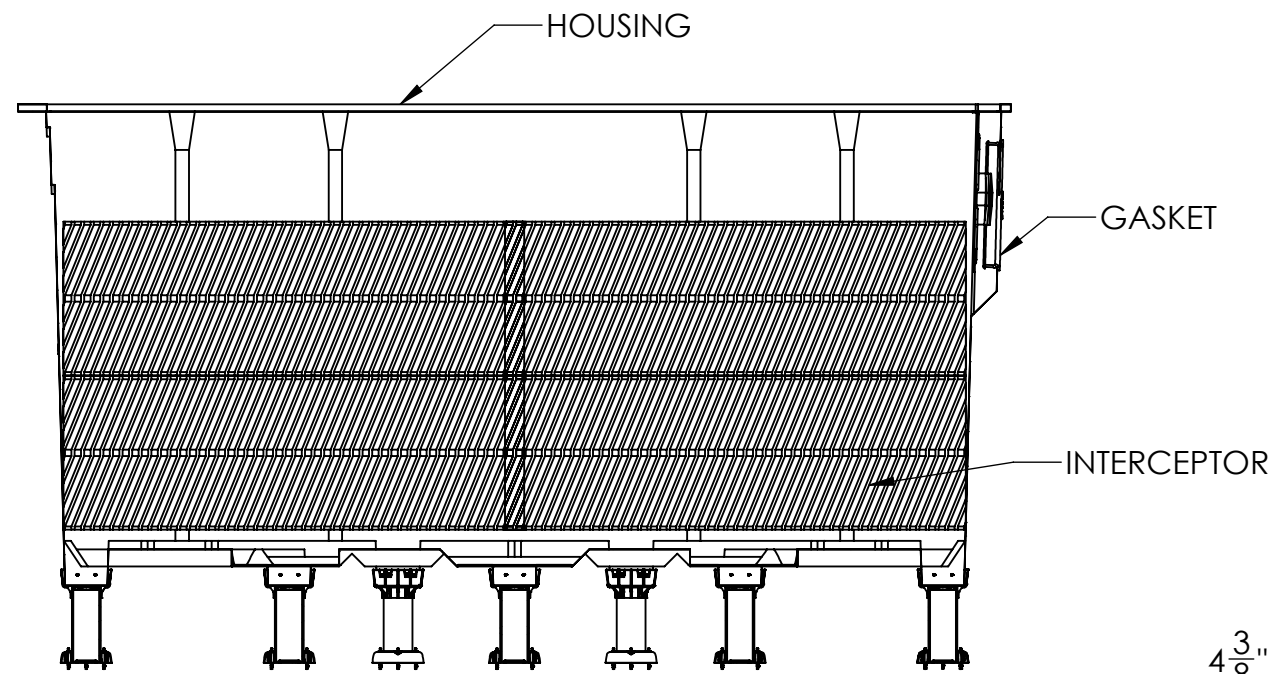
PLAN VIEW

SEDIMENT REMOVAL MANWAY

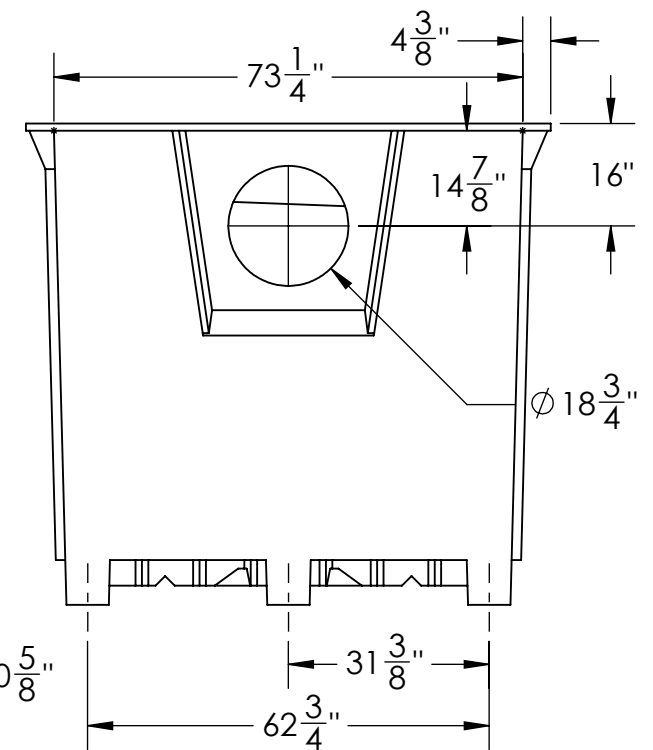
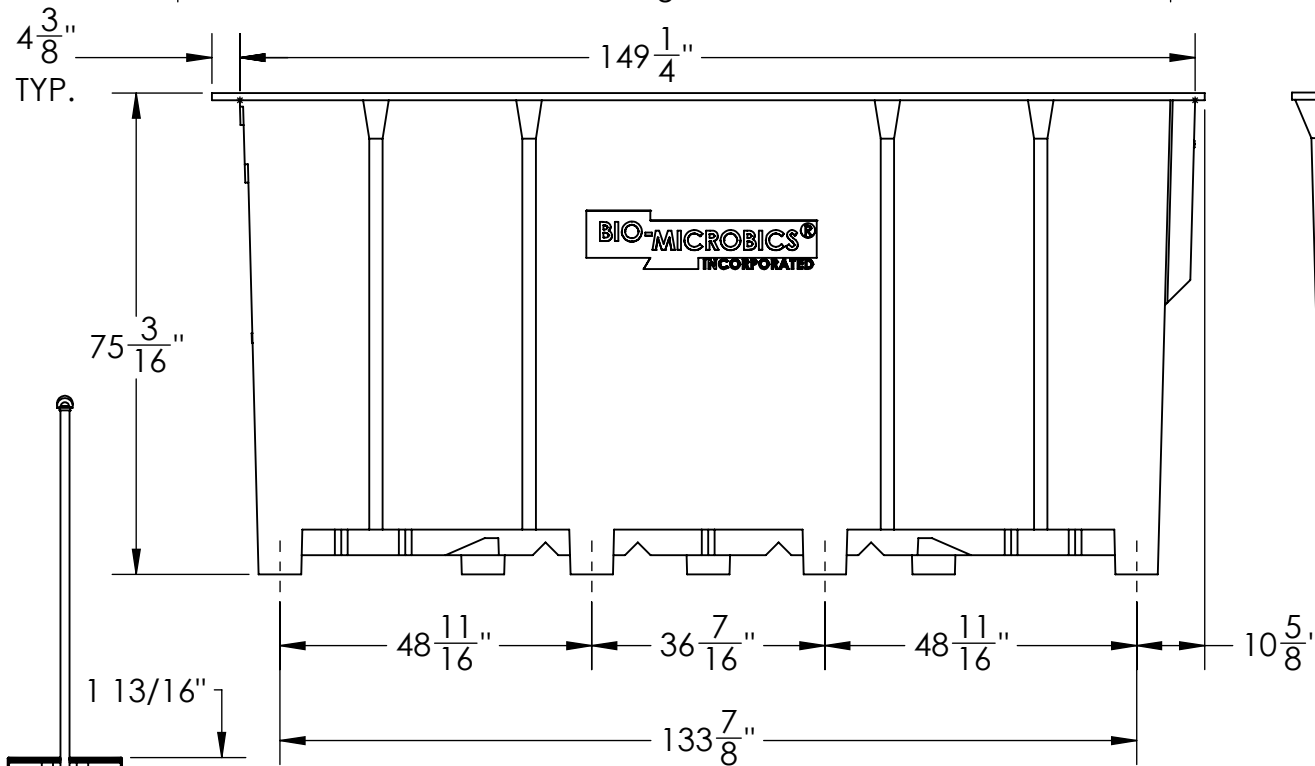
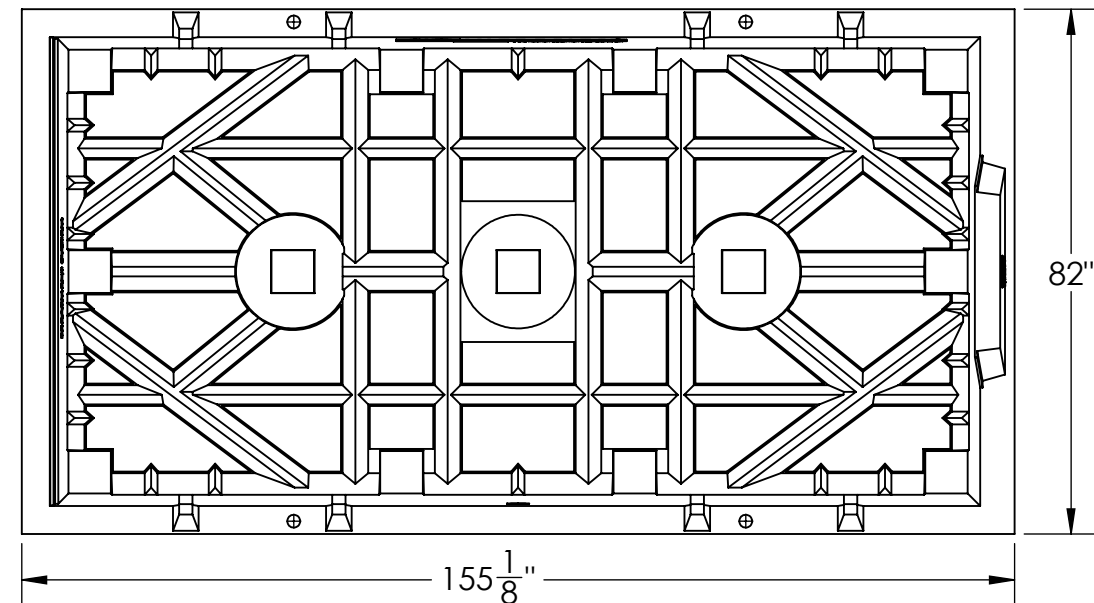
NOTES:

1. SOME ITEMS ARE REMOVED FOR CLARITY.
2. INLET PIPE MUST BE INSTALLED AT A WIDTH EQUIVALENT TO HALF OF THE PRIMARY TREATMENT CHAMBER WIDTH.
3. INTERCEPTOR CLEANOUT CAN BE SIZED AS 8", 16" OR 24".
4. A 24" StormTEE MANWAY AND SEDIMENT REMOVAL MANWAY IS REQUIRED.
5. INTERCEPTOR CLEANOUT MANWAY MUST BE CENTERED ABOVE THE INTERCEPTOR.
6. BIOMICROBICS RECOMMENDS A 1-2% PIPE SLOPE INTO THE SYSTEM AND BEFORE THE INVERT.
7. DEPENDING ON PROJECT REQUIREMENTS, PRIMARY AND SECONDARY CHAMBERS MAY BE CONSTRUCTED SEPARATELY.
8. TOTAL FOOT ASSEMBLY HEIGHT SHOULD NOT BE LESS THAN 12 INCHES.
9. BRACING SUPPORT IS REQUIRED TO SUPPORT THE HOUSING FOR BioSTORM MODELS 5.0 AND 10.0

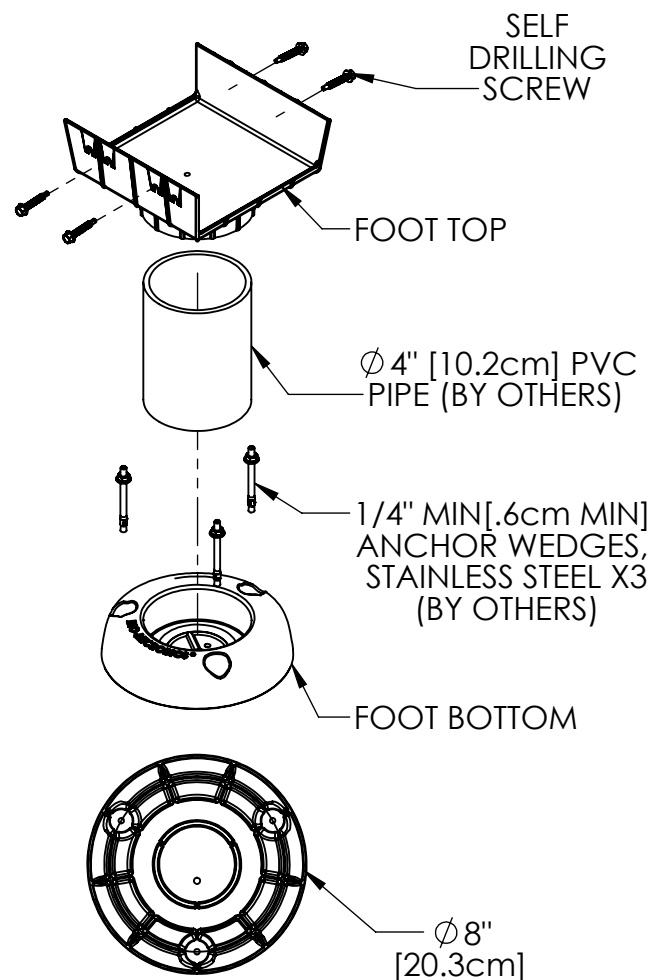
PROPRIETARY AND CONFIDENTIAL THE INFORMATION CONTAINED IN THIS DRAWING IS THE SOLE PROPERTY OF BIO-MICROBICS, INC.. ANY REPRODUCTION IN PART OR AS A WHOLE WITHOUT THE WRITTEN PERMISSION OF BIO-MICROBICS, INC. IS PROHIBITED.	UNLESS OTHERWISE SPECIFIED DIMENSIONS ARE IN INCHES AND TOLERANCES ARE AS FOLLOWS X° ± 1° .X ± .50 .XX ± .25	 BETTER WATER. BETTER WORLD.	
	DRAWN BY: ESG		
DO NOT SCALE DRAWING	DATE: 4/12/2024	APPROVED BY: AZ	
SHEET 3 OF 4	APPROVED BY DATE: 4/12/2024	PART NUMBER BIOSTORM 10.0	REV A
SCALE: 1:35	SIZE: B		



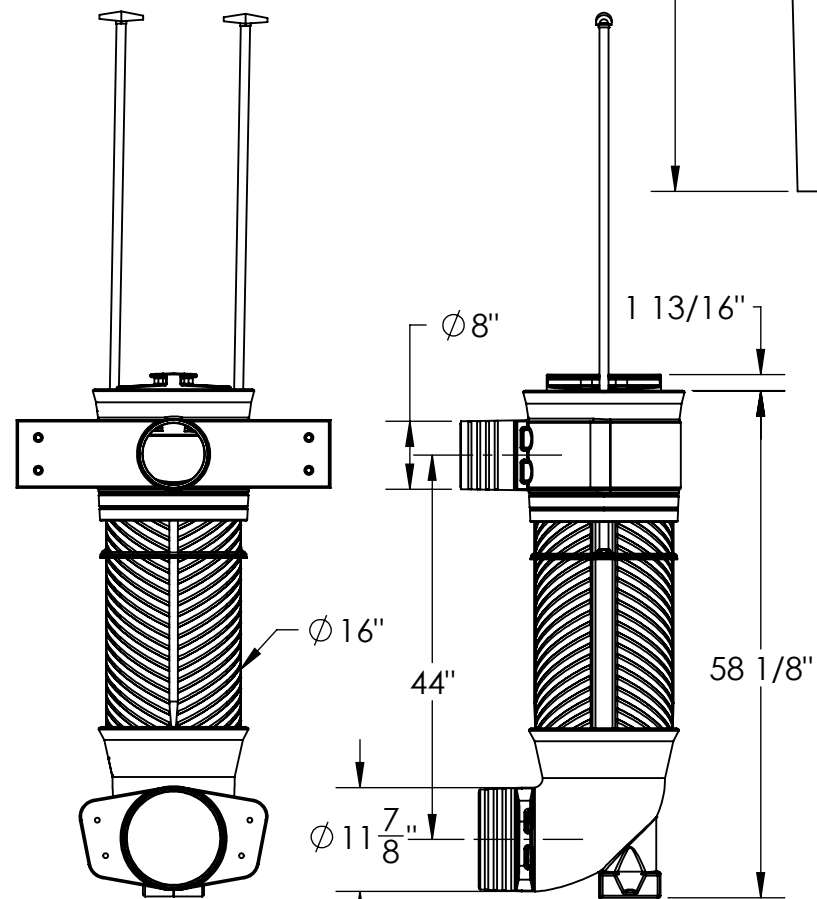
BIOSTORM MODULE CROSS SECTION




HOUSING



FOOT ASSEMBLY



NOTES:
1. ITEMS ARE DEPICTIONS AND MAY VARY IN APPEARANCE.

PROPRIETARY AND CONFIDENTIAL THE INFORMATION CONTAINED IN THIS DRAWING IS THE SOLE PROPERTY OF BIO-MICROBICS, INC.. ANY REPRODUCTION IN PART OR AS A WHOLE WITHOUT THE WRITTEN PERMISSION OF BIO-MICROBICS, INC. IS PROHIBITED.	UNLESS OTHERWISE SPECIFIED DIMENSIONS ARE IN INCHES AND TOLERANCES ARE AS FOLLOWS X° ± 1° .X ± .50 .XX ± .25	 BETTER WATER. BETTER WORLD.
	DRAWN BY: ESG	
DO NOT SCALE DRAWING	DATE: 4/12/2024	PART NUMBER BIOSTORM 10.0
SHEET 4 OF 4	APPROVED BY: AZ	REV A
SCALE: N/A	SIZE: B	APPROVED BY DATE: 4/12/2024