
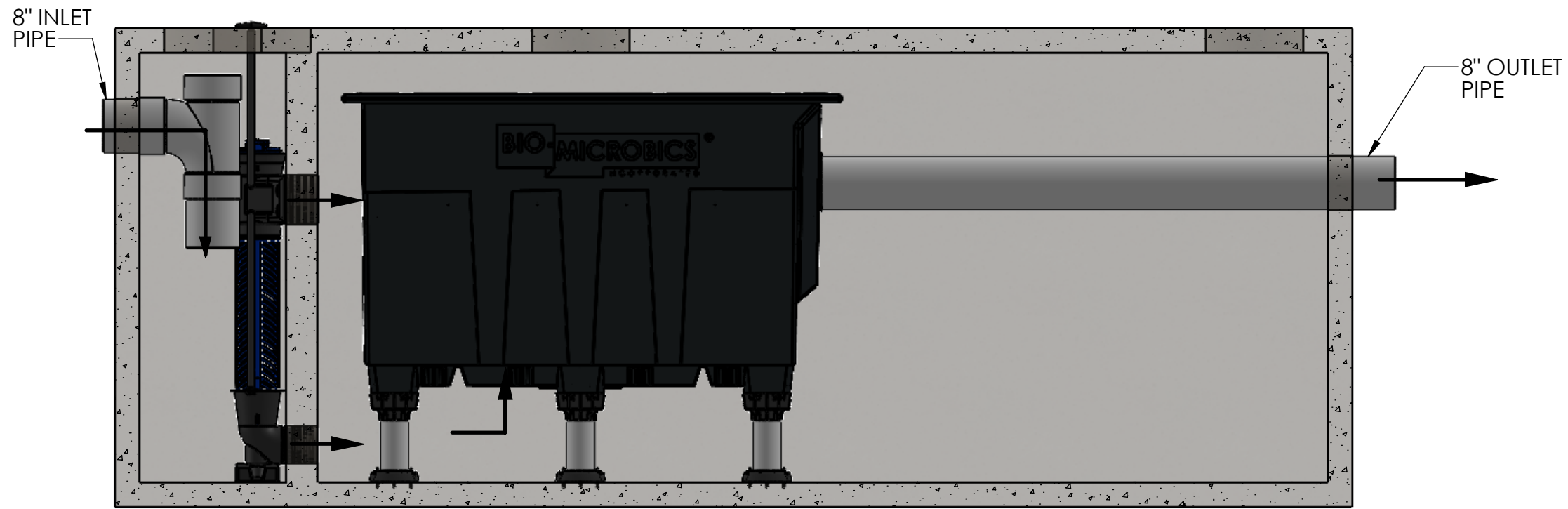
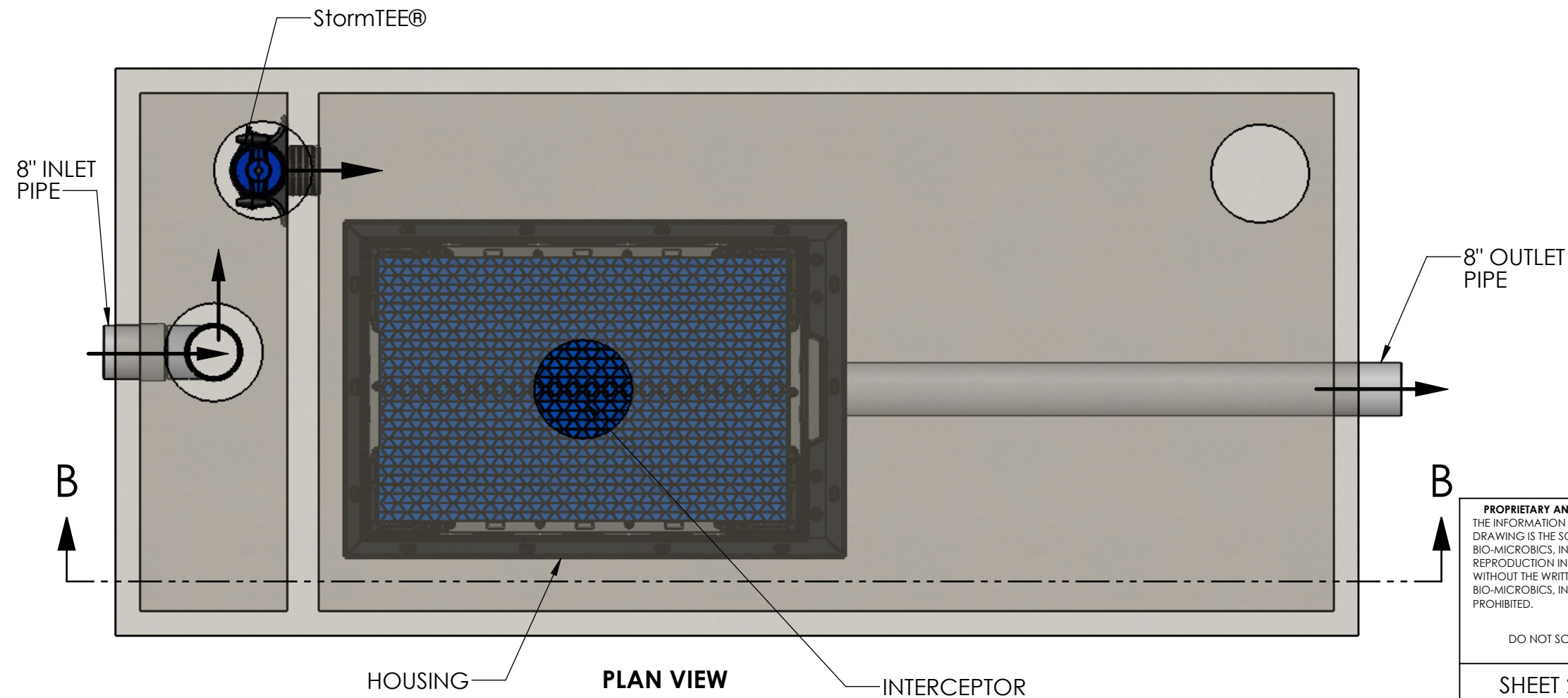


NOTES:
 1. SOME ITEMS REMOVED FOR CLARITY


PROPRIETARY AND CONFIDENTIAL THE INFORMATION CONTAINED IN THIS DRAWING IS THE SOLE PROPERTY OF BIO-MICROBICS, INC.. ANY REPRODUCTION IN PART OR AS A WHOLE WITHOUT THE WRITTEN PERMISSION OF BIO-MICROBICS, INC. IS PROHIBITED.		UNLESS OTHERWISE SPECIFIED DIMENSIONS ARE IN INCHES AND TOLERANCES ARE AS FOLLOWS X° ± 1° .X ± .50 .XX ± .25		 BETTER WATER. BETTER WORLD.	
		DRAWN BY: ESG			
DO NOT SCALE DRAWING		DATE: 4/12/2024		PART NUMBER BIOSTORM 1.25	
SHEET 1 OF 4		APPROVED BY: AZ		REV A	
SCALE: 1:25	SIZE: B	APPROVED BY DATE: 4/12/2024			

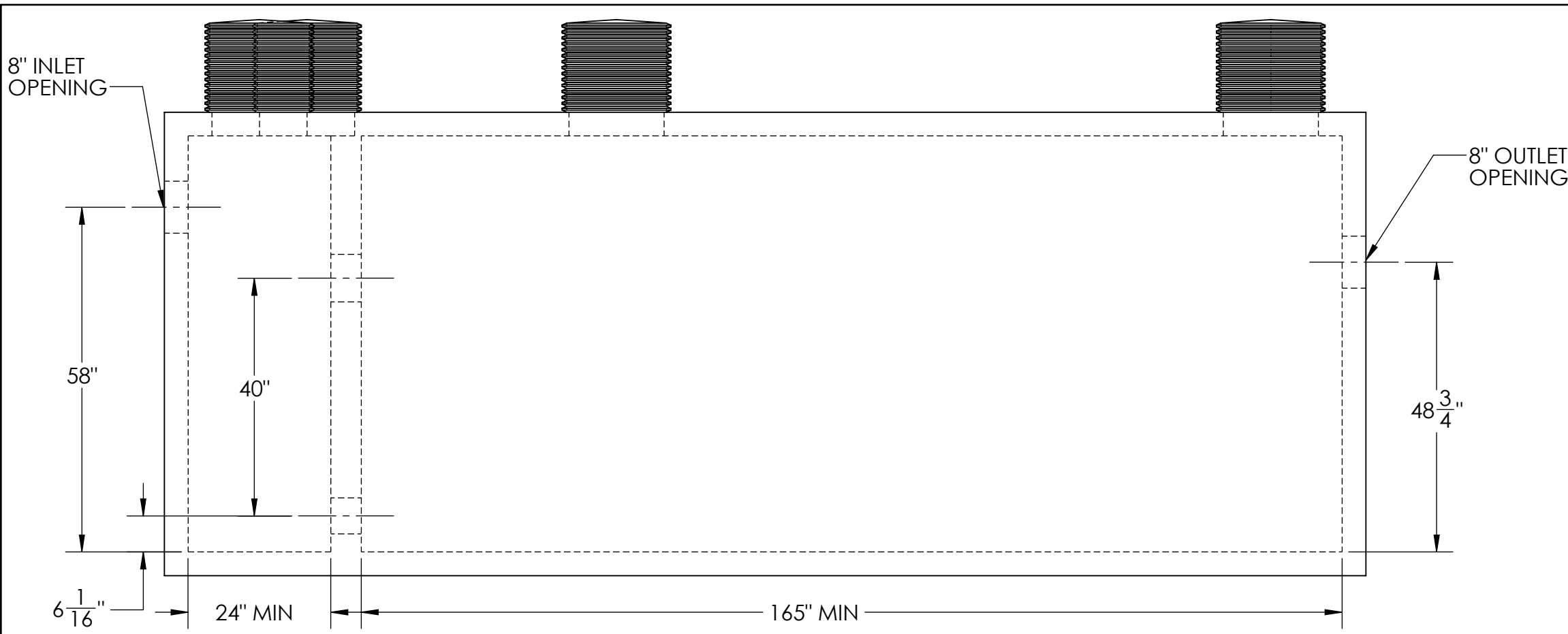


SECTION B-B

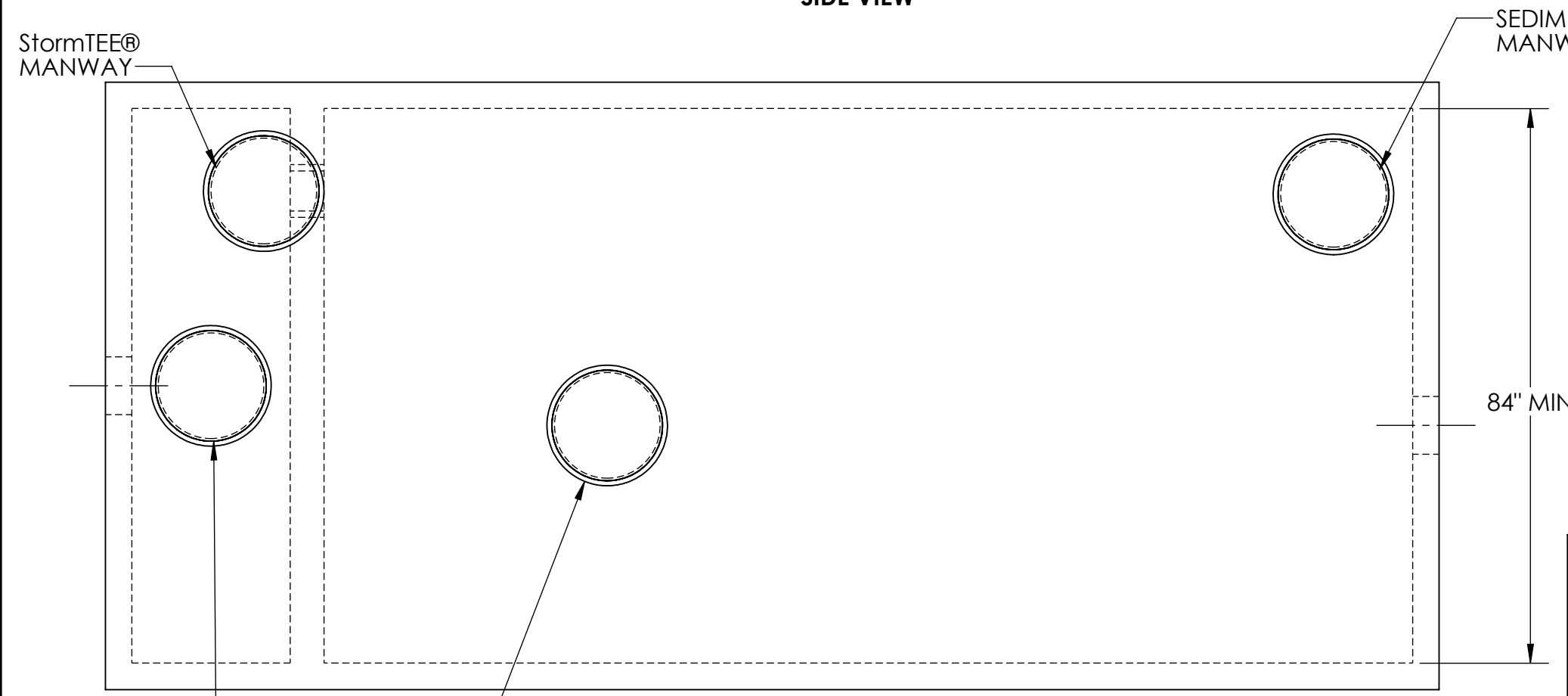


NOTES:
1. SOME ITEMS REMOVED FOR CLARITY.

PROPRIETARY AND CONFIDENTIAL THE INFORMATION CONTAINED IN THIS DRAWING IS THE SOLE PROPERTY OF BIO-MICROBICS, INC.. ANY REPRODUCTION IN PART OR AS A WHOLE WITHOUT THE WRITTEN PERMISSION OF BIO-MICROBICS, INC. IS PROHIBITED.		UNLESS OTHERWISE SPECIFIED DIMENSIONS ARE IN INCHES AND TOLERANCES ARE AS FOLLOWS $X^{\circ} \pm 1^{\circ}$ $.X \pm .50$ $.XX \pm .25$		
		DRAWN BY: ESG		
DO NOT SCALE DRAWING		DATE: 4/12/2024		PART NUMBER BIOSTORM 1.25
SHEET 2 OF 4		APPROVED BY: AZ		
SCALE: 1:22	SIZE: B	APPROVED BY DATE: 4/12/2024		




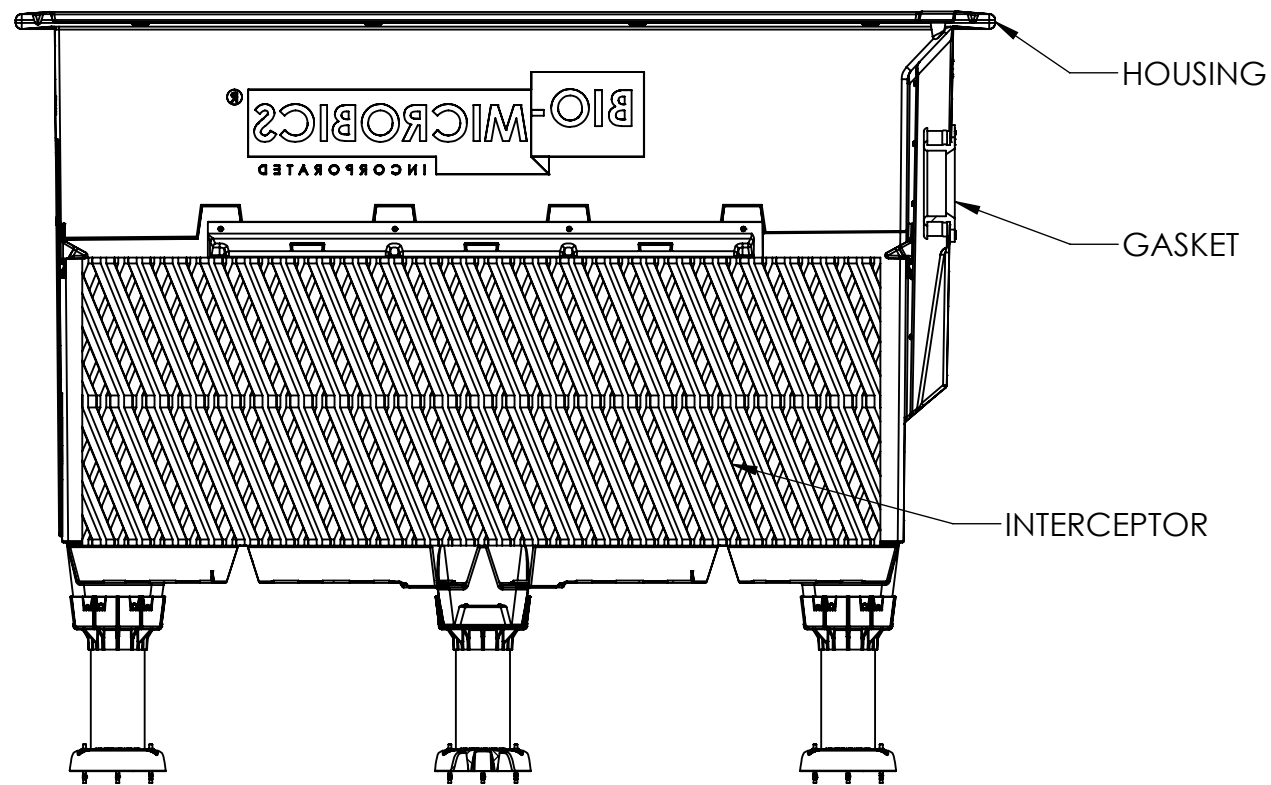
SIDE VIEW



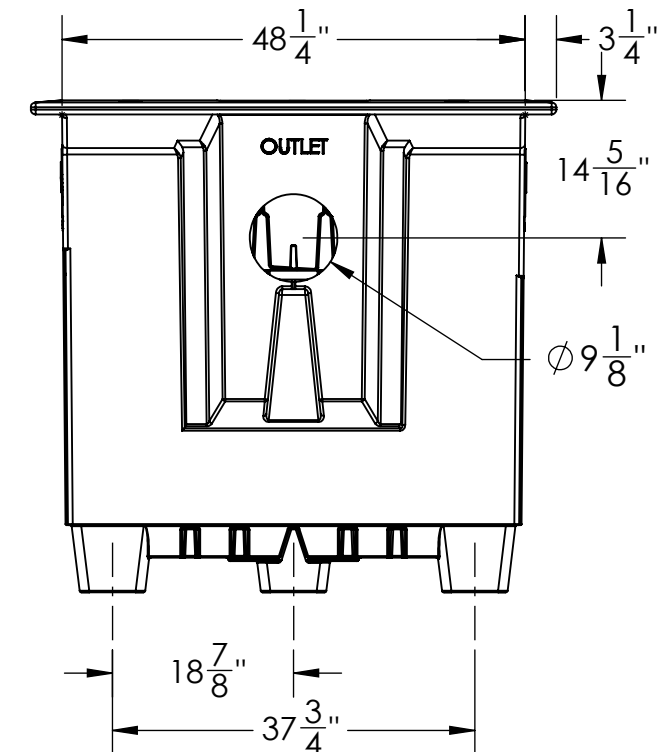
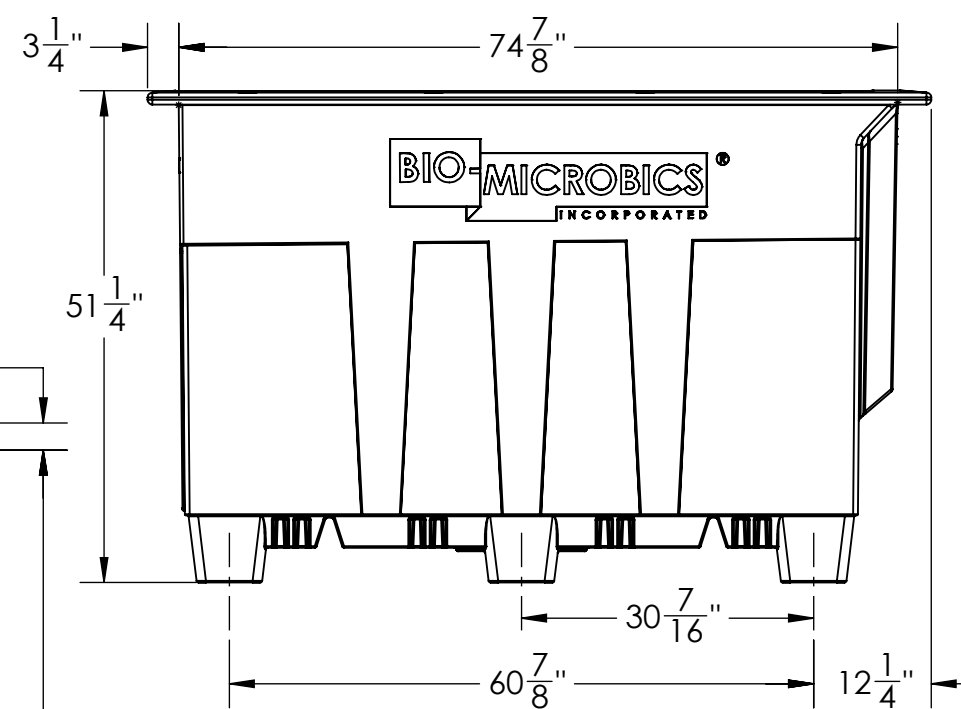
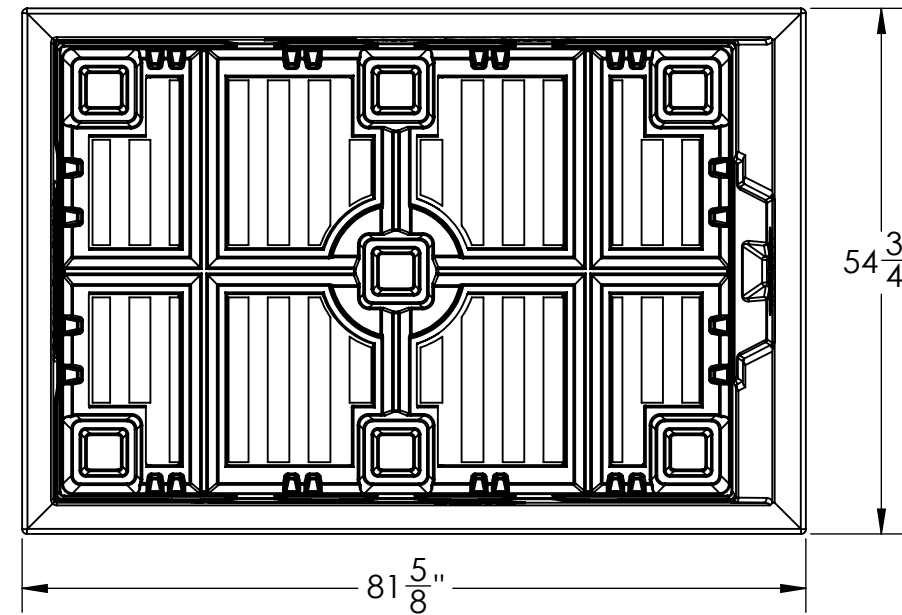
PLAN VIEW

- NOTES:**
1. SOME ITEMS REMOVED FOR CLARITY.
 2. INLET PIPE MUST BE INSTALLED AT A WIDTH EQUIVALENT TO HALF OF THE PRIMARY TREATMENT CHAMBER WIDTH.
 3. INTERCEPTOR CLEANOUT MANWAY CAN BE SIZED AS 8", 16" OR 24".
 4. A 24" StormTEE MANWAY AND SEDIMENT REMOVAL MANWAY IS REQUIRED.
 5. INTERCEPTOR CLEANOUT MANWAY MUST BE CENTERED ABOVE THE INTERCEPTOR.
 6. BIOMICROBICS RECOMMENDS A 1-2% PIPE SLOPE INTO THE SYSTEM AND BEFORE INVERT.
 7. DEPENDING ON PROJECT REQUIREMENTS, PRIMARY AND SECONDARY CHAMBERS MAY BE CONSTRUCTED SEPARATELY.
 8. TOTAL FOOT ASSEMBLY HEIGHT SHOULD NOT BE LESS THAN 12 INCHES.

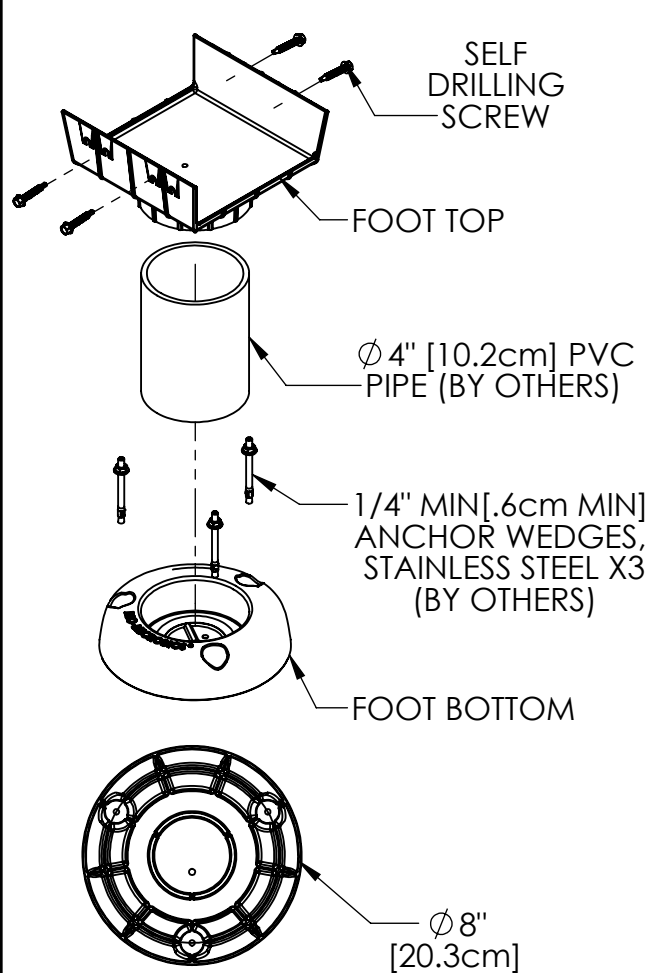
PROPRIETARY AND CONFIDENTIAL THE INFORMATION CONTAINED IN THIS DRAWING IS THE SOLE PROPERTY OF BIO-MICROBICS, INC.. ANY REPRODUCTION IN PART OR AS A WHOLE WITHOUT THE WRITTEN PERMISSION OF BIO-MICROBICS, INC. IS PROHIBITED.		UNLESS OTHERWISE SPECIFIED DIMENSIONS ARE IN INCHES AND TOLERANCES ARE AS FOLLOWS $X^{\circ} \pm 1^{\circ}$ $.X \pm .50$ $.XX \pm .25$	 BETTER WATER. BETTER WORLD.	
DO NOT SCALE DRAWING		DRAWN BY: ESG	DESCRIPTION BIOSTORM 1.25 TANK DETAILS	
SHEET 3 OF 4		DATE: 4/12/2024	PART NUMBER BIOSTORM 1.25	
SCALE: 1:22	SIZE: B	APPROVED BY: AZ	APPROVED BY DATE: 4/12/2024	REV A



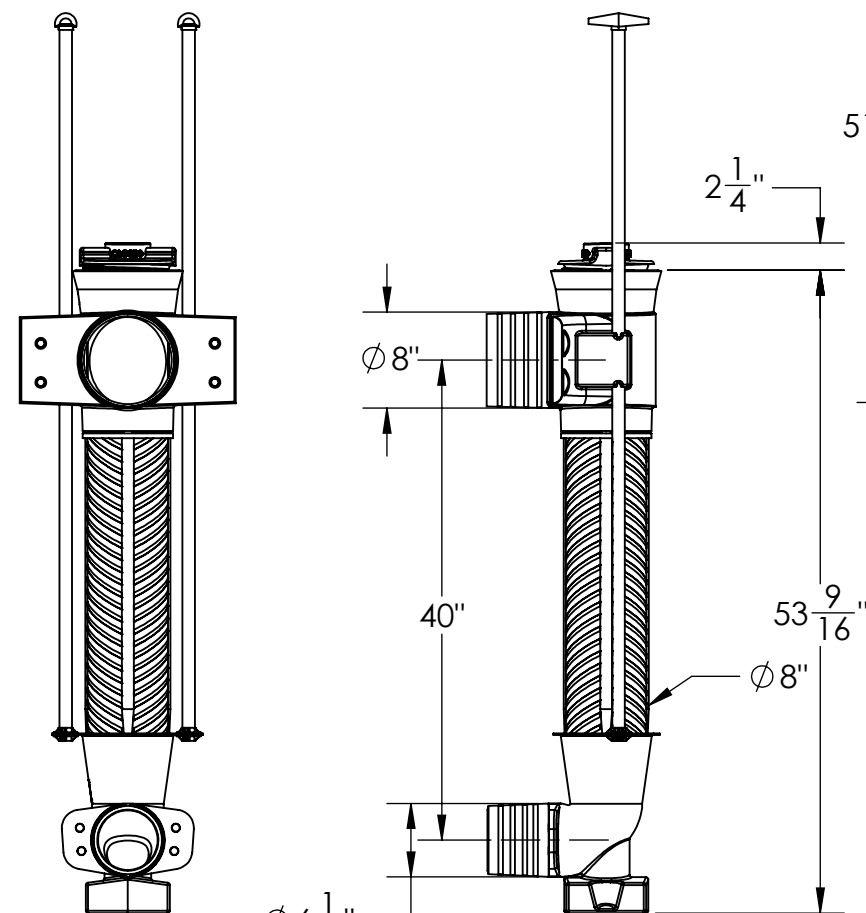
BIOSTORM MODULE CROSS SECTION



HOUSING



FOOT ASSEMBLY



StormTEE®

NOTES:
1. ITEMS ARE DEPICTIONS AND MAY VARY IN APPEARANCE.

<small>PROPRIETARY AND CONFIDENTIAL THE INFORMATION CONTAINED IN THIS DRAWING IS THE SOLE PROPERTY OF BIO-MICROBICS, INC., ANY REPRODUCTION IN PART OR AS A WHOLE WITHOUT THE WRITTEN PERMISSION OF BIO-MICROBICS, INC. IS PROHIBITED.</small>		<small>UNLESS OTHERWISE SPECIFIED DIMENSIONS ARE IN INCHES AND TOLERANCES ARE AS FOLLOWS X° ± 1° .X ± .50 .XX ± .25</small>	
DO NOT SCALE DRAWING		<small>DRAWN BY:</small> ESG <small>DATE:</small> 4/12/2024 <small>APPROVED BY:</small> AZ <small>APPROVED BY DATE:</small> 4/12/2024	
SHEET 4 OF 4		<small>PART NUMBER</small> BIOSTORM 1.25	<small>REV</small> A
<small>SCALE:</small> N/A	<small>SIZE:</small> B		