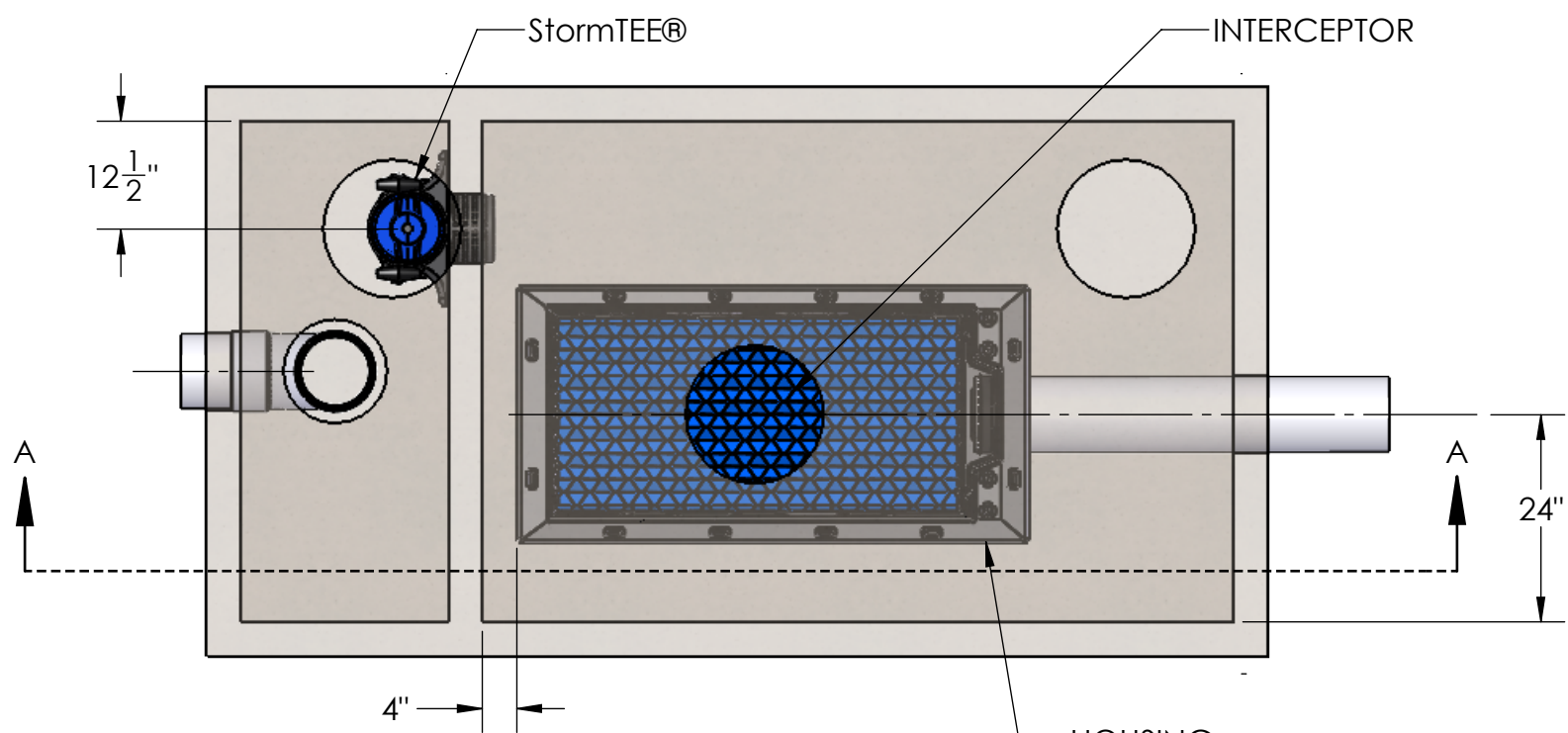


SECTION A-A

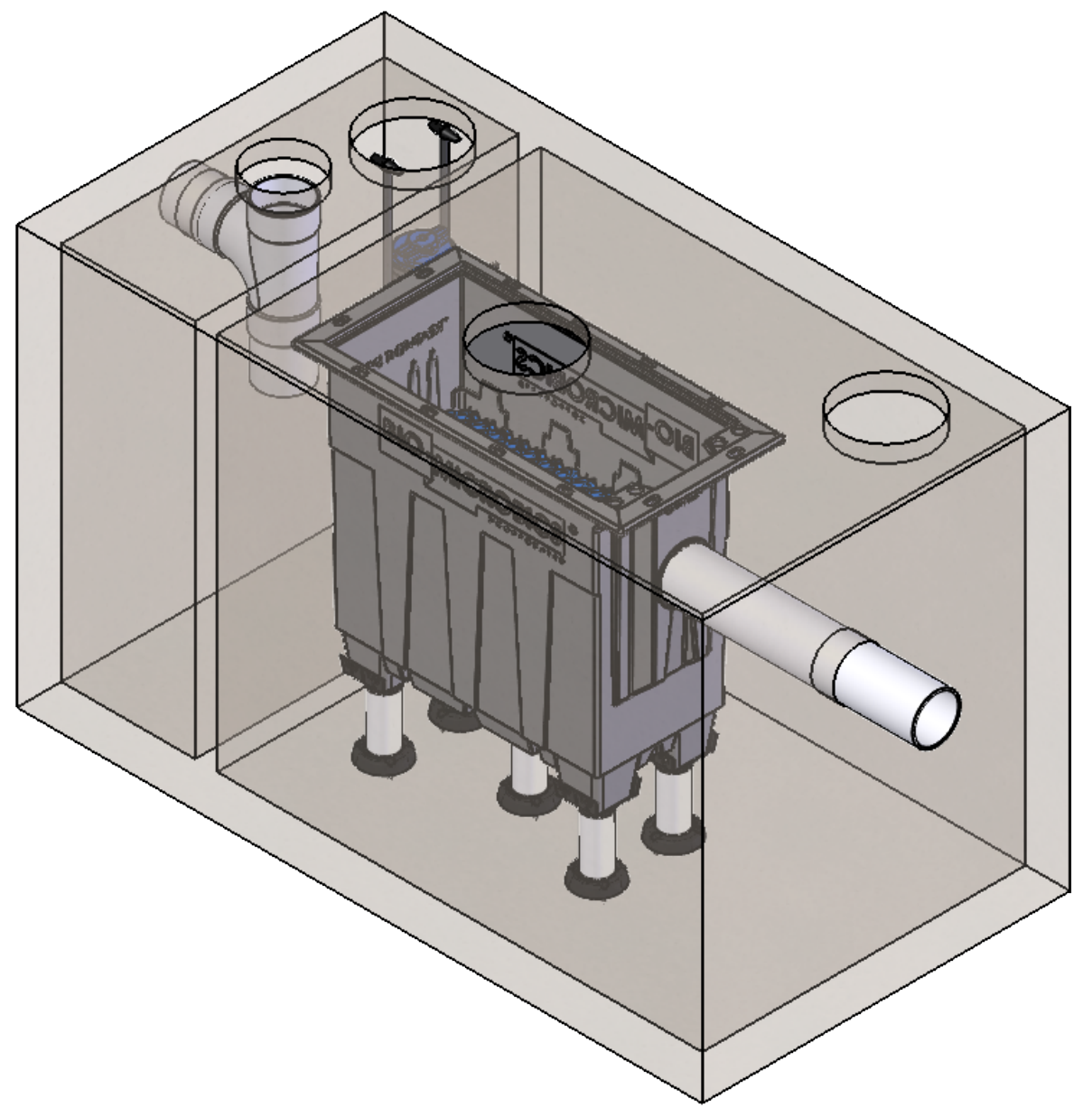
PRIMARY CHAMBER

SECONDARY CHAMBER




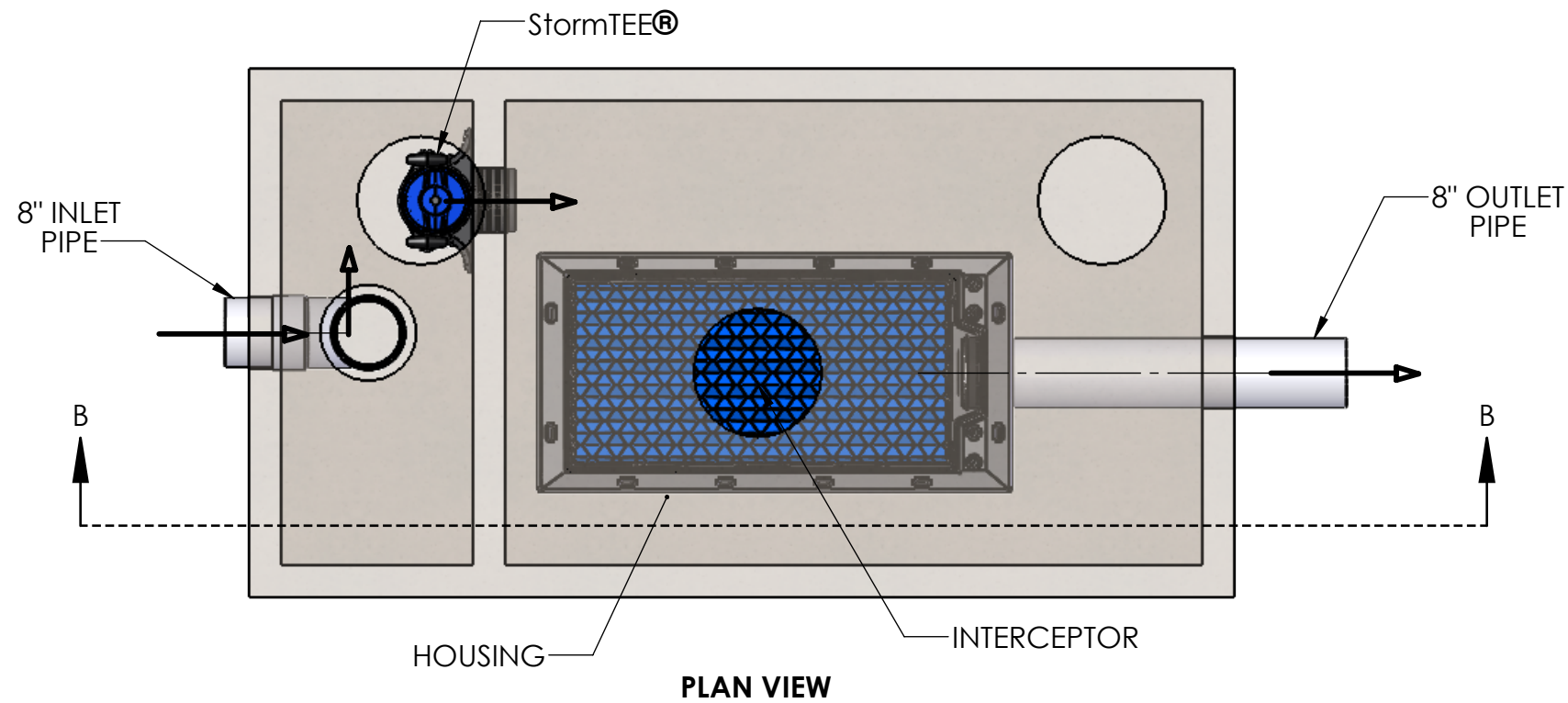
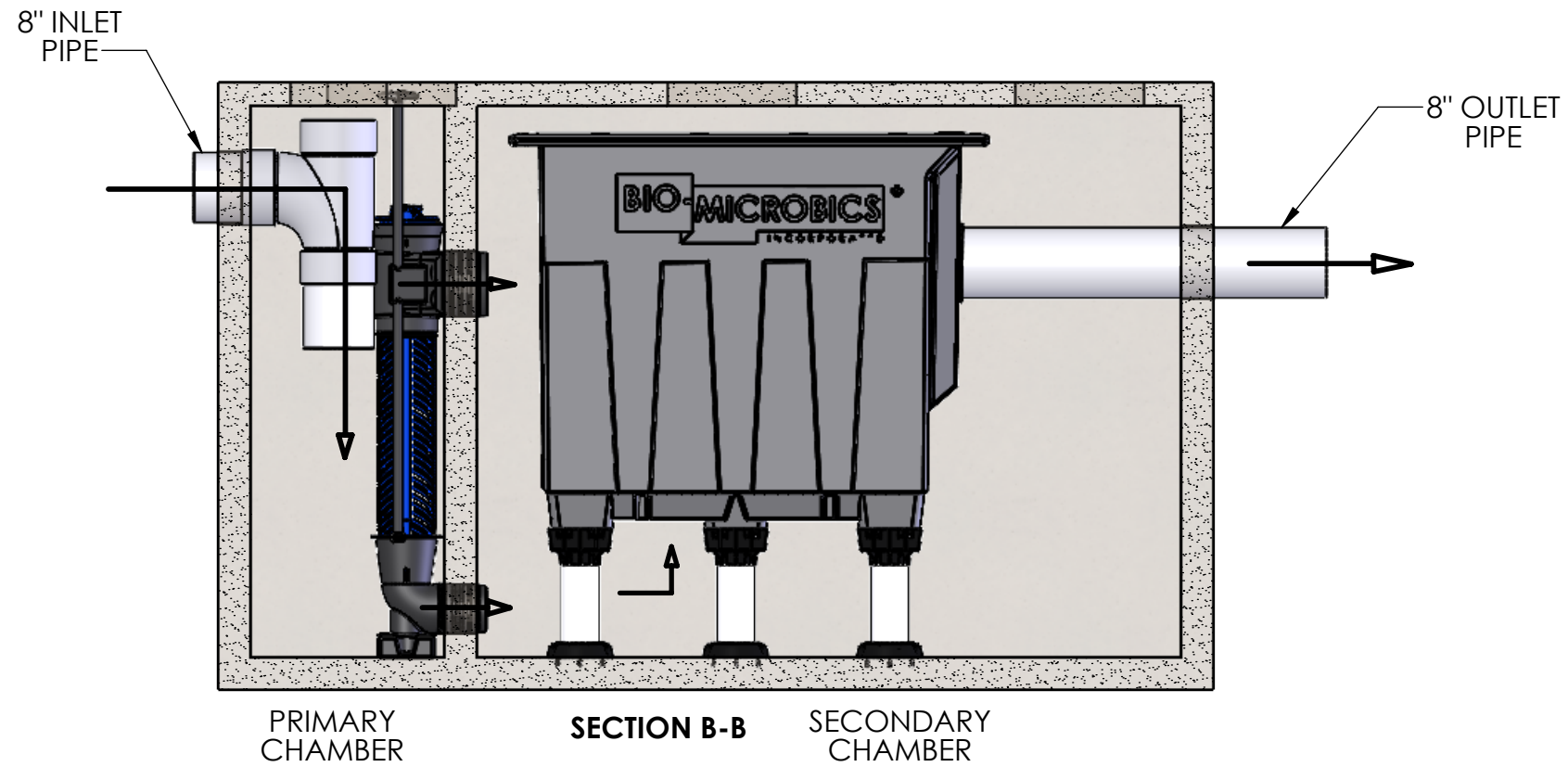
PLAN VIEW

HOUSING




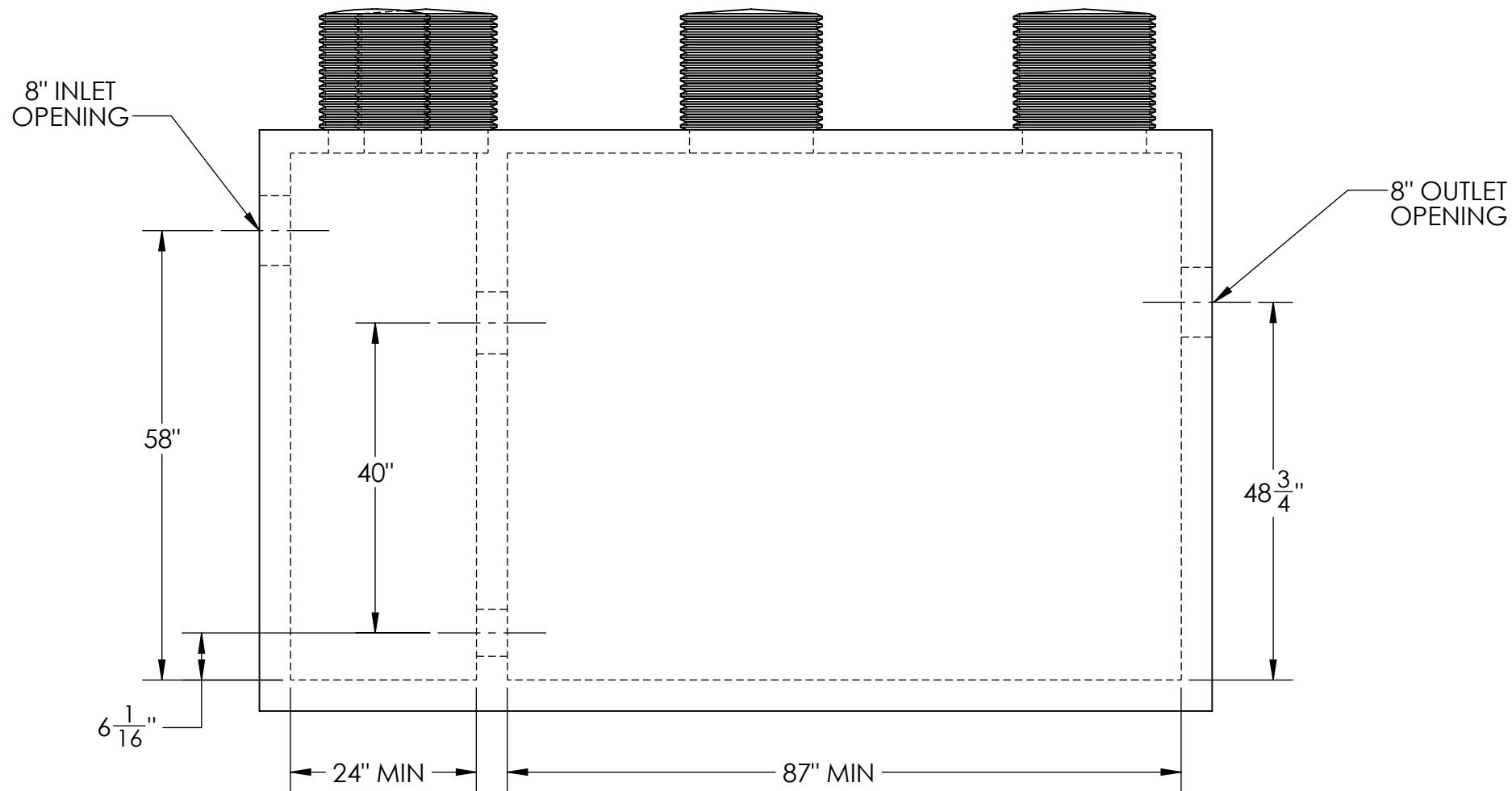
NOTES:  
1. SOME ITEMS REMOVED FOR CLARITY.

<b>PROPRIETARY AND CONFIDENTIAL</b> THE INFORMATION CONTAINED IN THIS DRAWING IS THE SOLE PROPERTY OF BIOMICROBICS, INC.. ANY REPRODUCTION IN PART OR AS A WHOLE WITHOUT THE WRITTEN PERMISSION OF BIOMICROBICS, INC. IS PROHIBITED. <b>DO NOT SCALE DRAWING</b>		UNLESS OTHERWISE SPECIFIED DIMENSIONS ARE IN INCHES AND TOLERANCES ARE AS FOLLOWS $X^{\circ} \pm 1^{\circ}$ $X \pm .50$ $.XX \pm .25$	 BETTER WATER. BETTER WORLD.
SHEET 1 OF 4		DRAWN BY: ESG DATE: 4/12/2024 APPROVED BY: AZ APPROVED DATE: 4/12/2024	
SCALE: 1:22	SIZE: B	PART NUMBER <b>BIOSTORM 0.5</b>	REV <b>A</b>

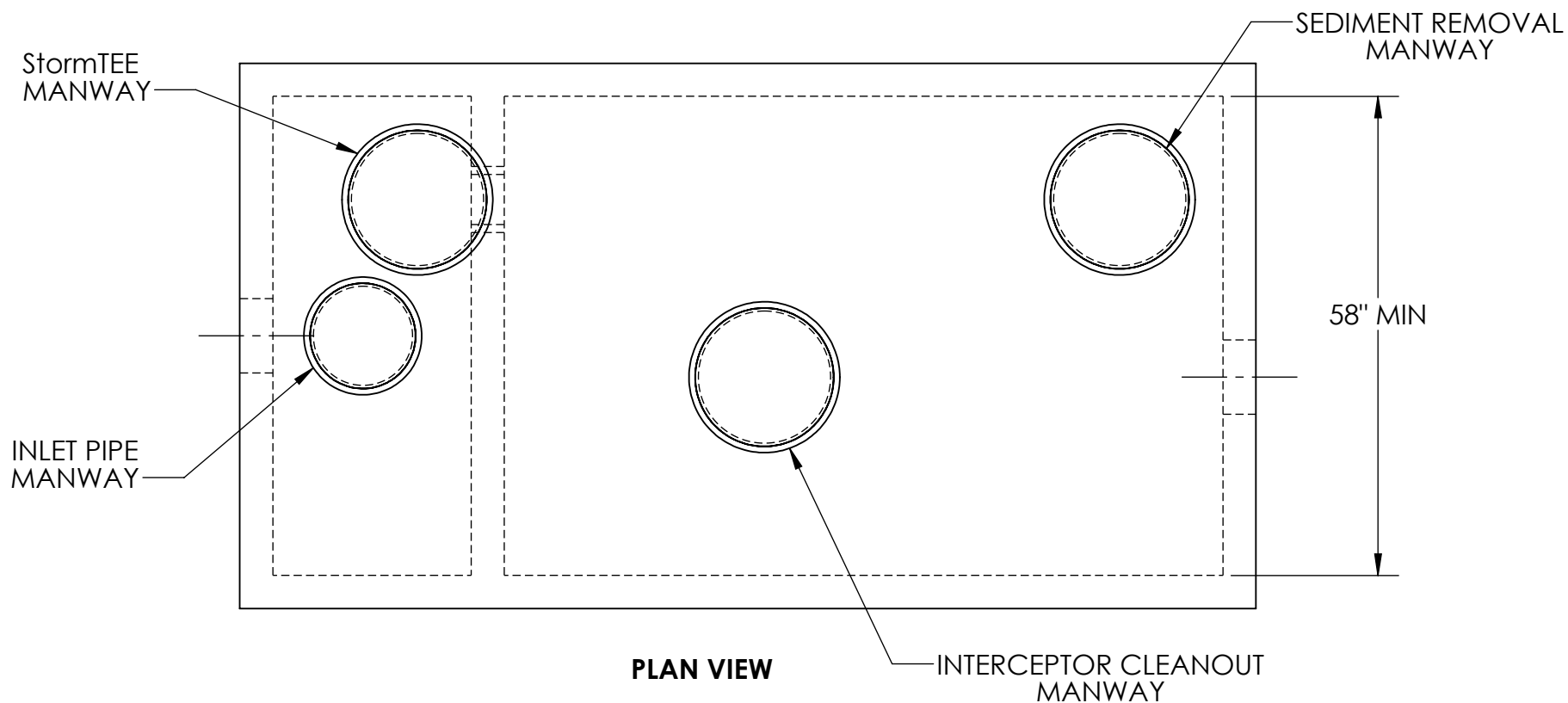


NOTES:  
1. SOME ITEMS REMOVED FOR CLARITY.

<b>PROPRIETARY AND CONFIDENTIAL</b> THE INFORMATION CONTAINED IN THIS DRAWING IS THE SOLE PROPERTY OF BIOMICROBICS, INC.. ANY REPRODUCTION IN PART OR AS A WHOLE WITHOUT THE WRITTEN PERMISSION OF BIOMICROBICS, INC. IS PROHIBITED. <b>DO NOT SCALE DRAWING</b>	UNLESS OTHERWISE SPECIFIED DIMENSIONS ARE IN INCHES AND TOLERANCES ARE AS FOLLOWS $X^{\circ} \pm 1^{\circ}$ $.X \pm .50$ $.XX \pm .25$	 BETTER WATER. BETTER WORLD.	
	DRAWN BY: ESG		
	DATE: 4/12/2024	PART NUMBER BIOSTORM 0.5	
SHEET 2 OF 4	APPROVED BY: AZ	REV A	
SCALE: 1:22	SIZE: B	APPROVED DATE: 4/12/2024	




**SIDE VIEW**

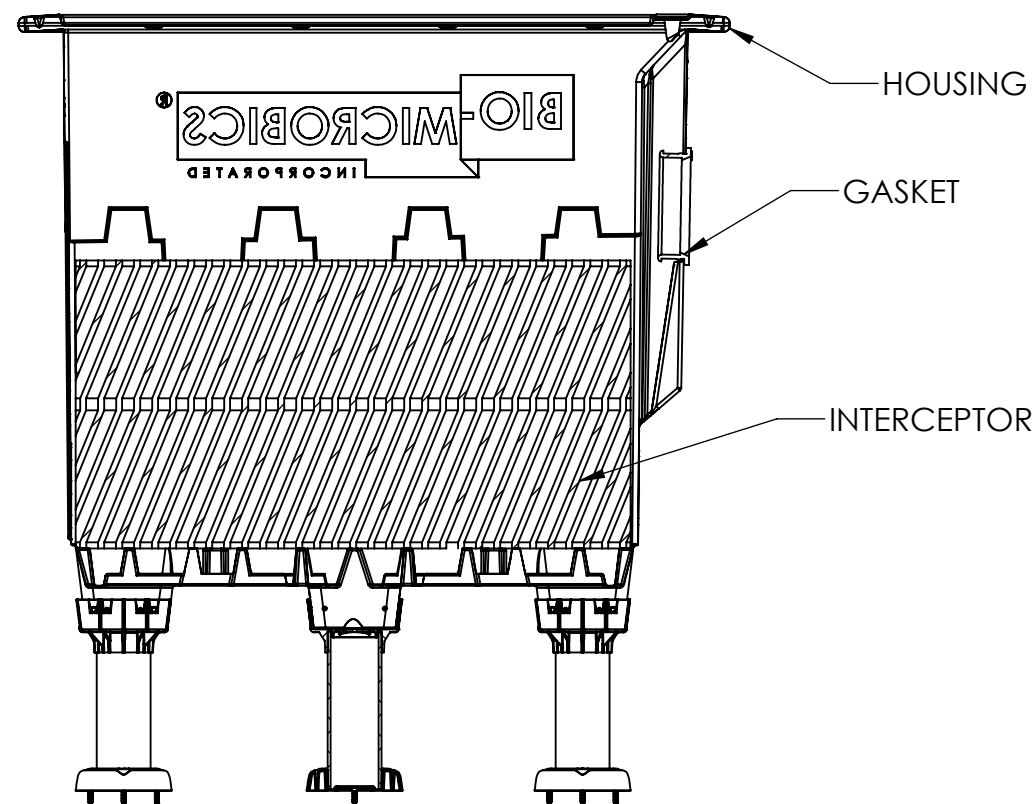


**PLAN VIEW**

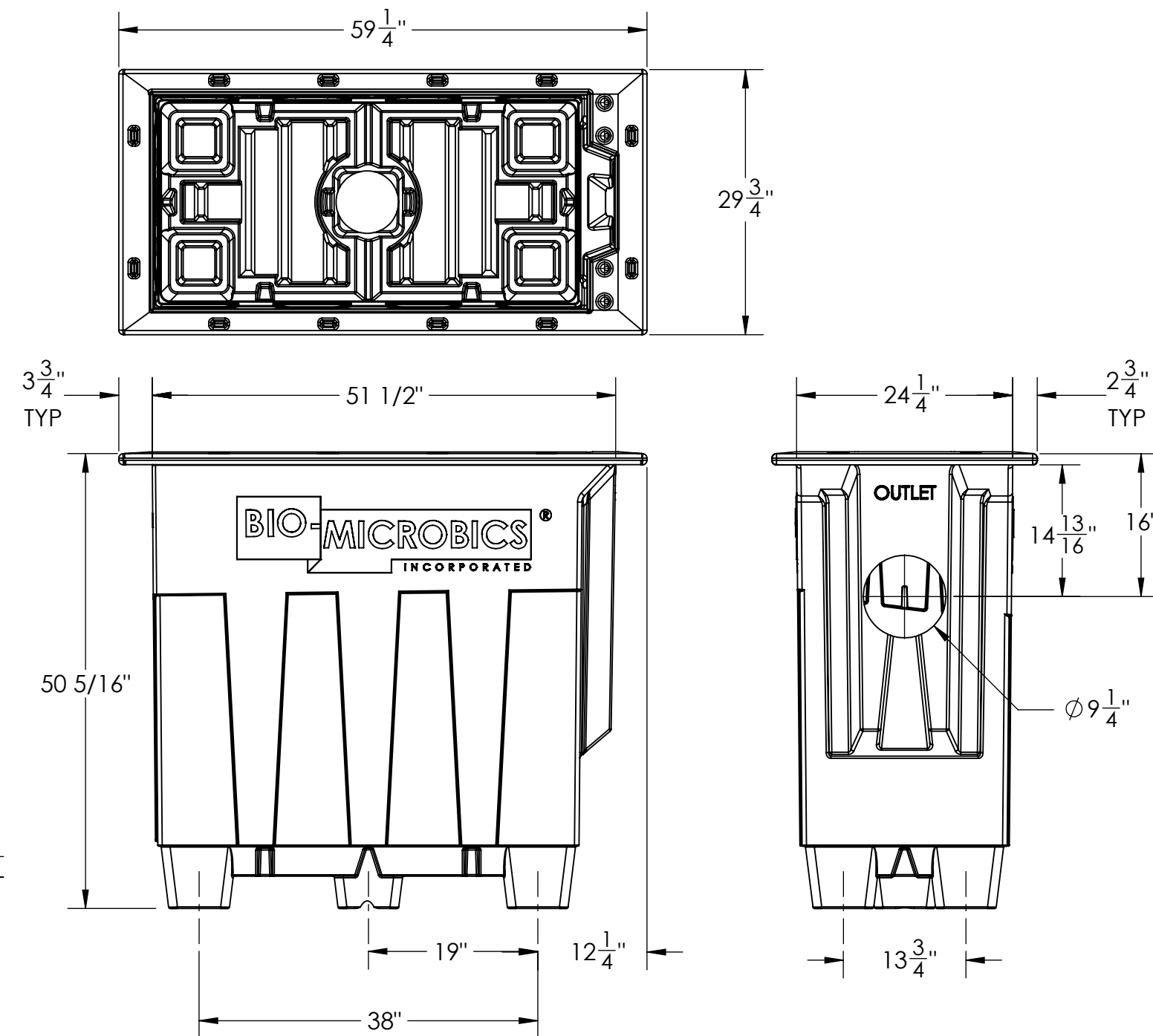
**NOTES:**

1. SOME ITEMS ARE REMOVED FOR CLARITY.
2. INLET PIPE MUST BE INSTALLED AT A WIDTH EQUIVALENT TO HALF OF THE PRIMARY TREATMENT CHAMBER WIDTH.
3. INTERCEPTOR CLEANOUT CAN BE SIZED AS 8", 16" OR 24".
4. A 24" StormTEE MANWAY AND SEDIMENT REMOVAL MANWAY IS REQUIRED.
5. INTERCEPTOR CLEANOUT MANWAY MUST BE CENTERED ABOVE THE INTERCEPTOR.
6. BIOMICROBICS RECOMMENDS A 1-2% PIPE SLOPE INTO THE SYSTEM AND BEFORE THE INVERT.
7. DEPENDING ON PROJECT REQUIREMENTS, PRIMARY AND SECONDARY CHAMBERS MAY BE CONSTRUCTED SEPARATELY.
8. TOTAL FOOT ASSEMBLY HEIGHT SHOULD NOT BE LESS THAN 12 INCHES.

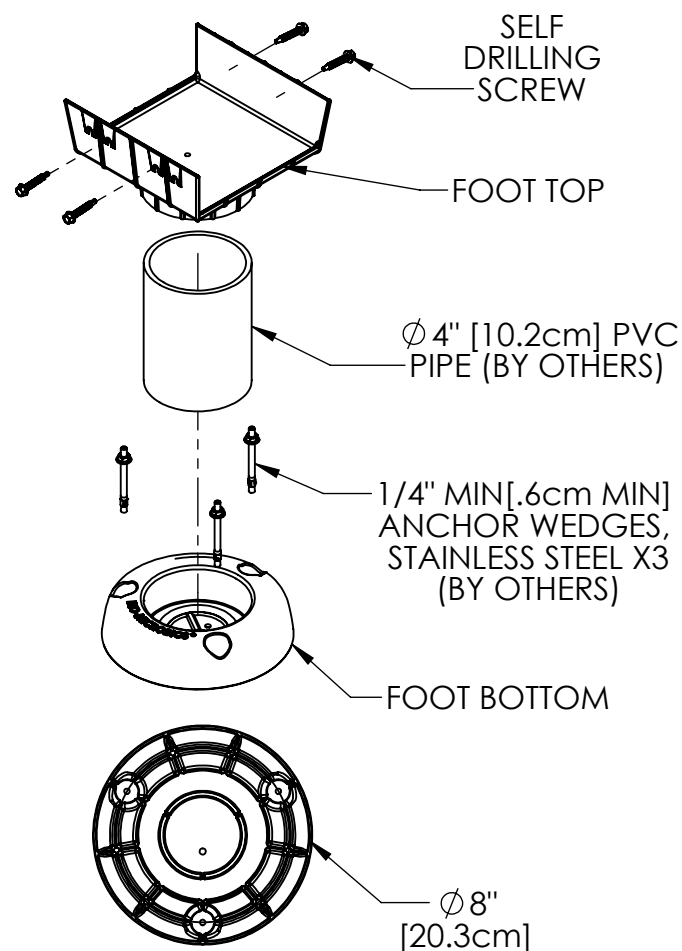
<b>PROPRIETARY AND CONFIDENTIAL</b> THE INFORMATION CONTAINED IN THIS DRAWING IS THE SOLE PROPERTY OF BIOMICROBICS, INC.. ANY REPRODUCTION IN PART OR AS A WHOLE WITHOUT THE WRITTEN PERMISSION OF BIOMICROBICS, INC. IS PROHIBITED. <b>DO NOT SCALE DRAWING</b>	UNLESS OTHERWISE SPECIFIED DIMENSIONS ARE IN INCHES AND TOLERANCES ARE AS FOLLOWS $X^{\circ} \pm 1^{\circ}$ $.X \pm .50$ $.XX \pm .25$	 BETTER WATER. BETTER WORLD.	
	DRAWN BY: <b>ESG</b>		
	DATE: <b>4/12/2024</b>	PART NUMBER <b>BIOSTORM 0.5</b>	
<b>SHEET 3 OF 4</b>	APPROVED BY: <b>AZ</b>	APPROVED DATE: <b>4/12/2024</b>	REV <b>A</b>
SCALE: <b>1:20</b>	SIZE: <b>B</b>		



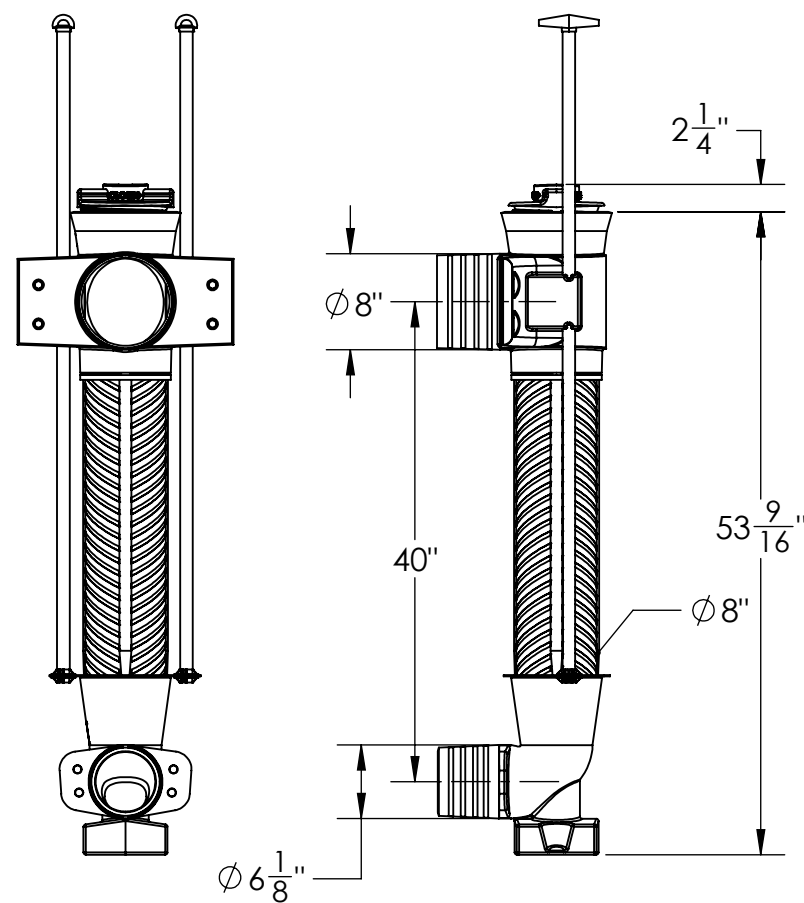
**BIOSTORM MODULE CROSS SECTION**



**HOUSING**



**FOOT ASSEMBLY**



**StormTEE®**

**NOTES:**

1. ITEMS ARE DEPICTIONS AND MAY VARY IN APPEARANCE.

<p><b>PROPRIETARY AND CONFIDENTIAL</b></p> <p>THE INFORMATION CONTAINED IN THIS DRAWING IS THE SOLE PROPERTY OF BIOMICROBICS, INC.. ANY REPRODUCTION IN PART OR AS A WHOLE WITHOUT THE WRITTEN PERMISSION OF BIOMICROBICS, INC. IS PROHIBITED.</p> <p><b>DO NOT SCALE DRAWING</b></p>		<p>UNLESS OTHERWISE SPECIFIED DIMENSIONS ARE IN INCHES AND TOLERANCES ARE AS FOLLOWS</p> <p>X° ± 1° X ± .50 .XX ± .25</p>	
<p><b>SHEET 4 OF 4</b></p>		<p>DRAWN BY: ESG</p> <p>DATE: 4/12/2024</p> <p>APPROVED BY: AZ</p> <p>APPROVED DATE: 4/12/2024</p>	
<p>SCALE: N/A</p>	<p>SIZE: B</p>	<p>REV: A</p>	