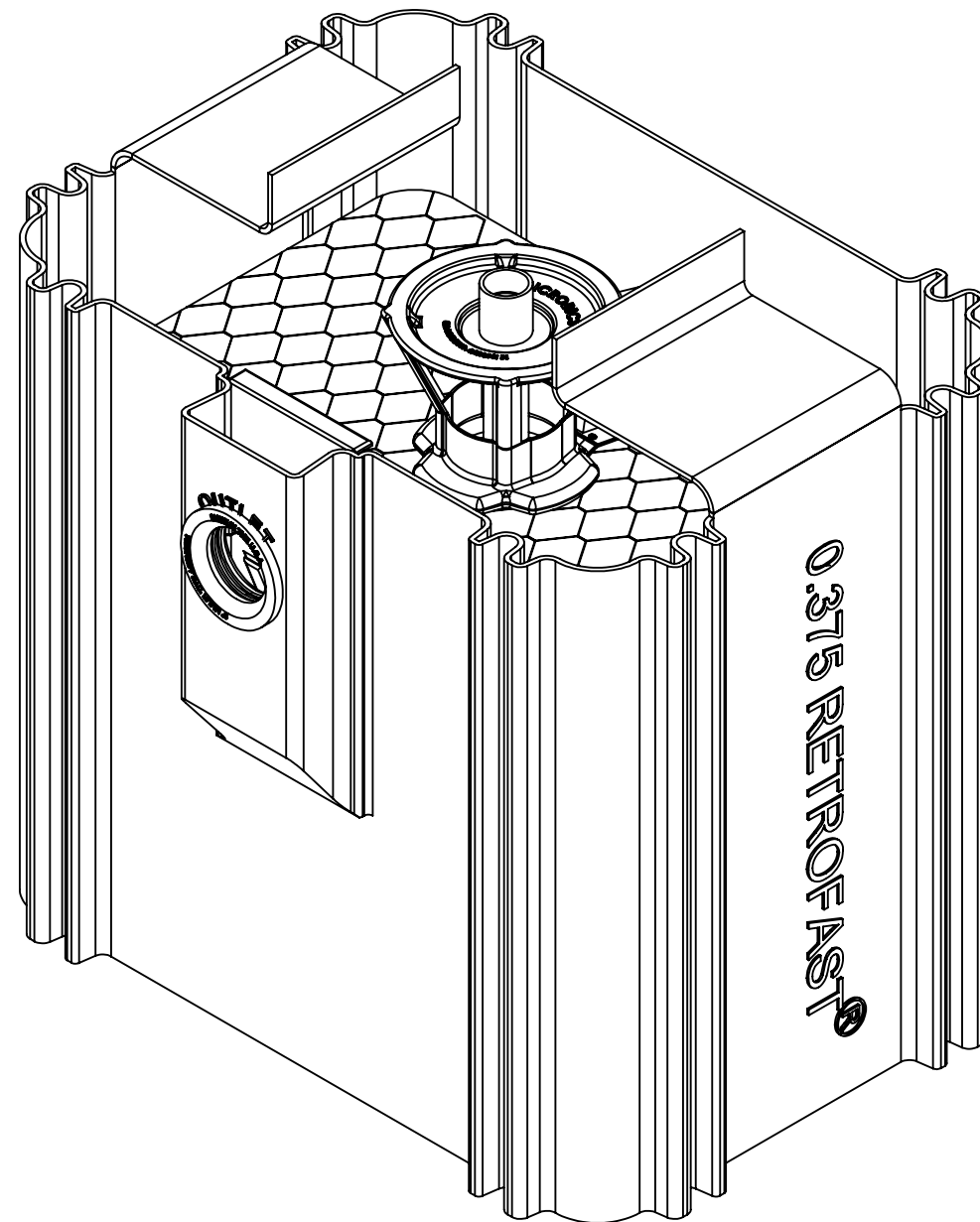
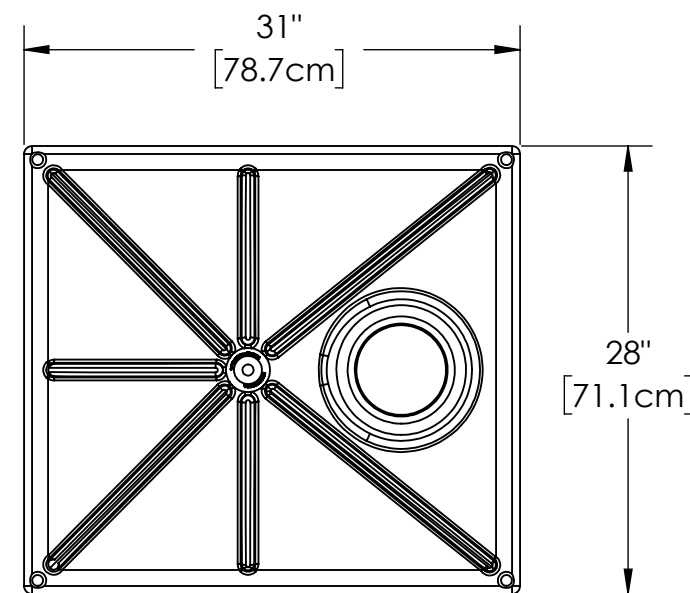
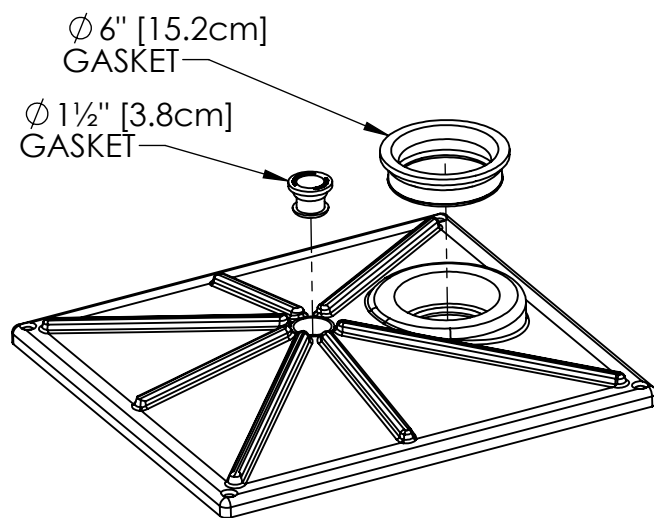
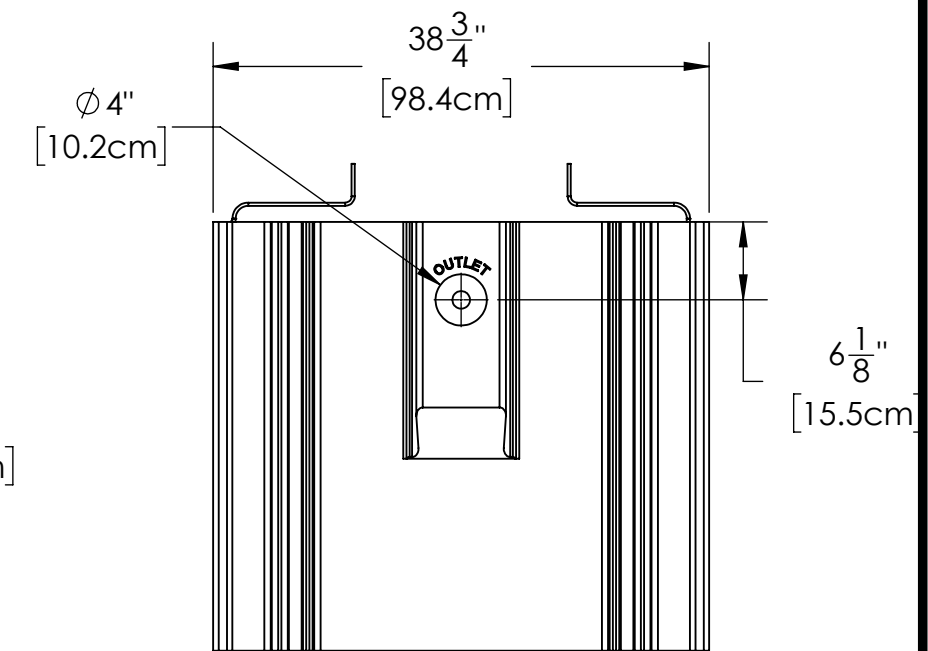
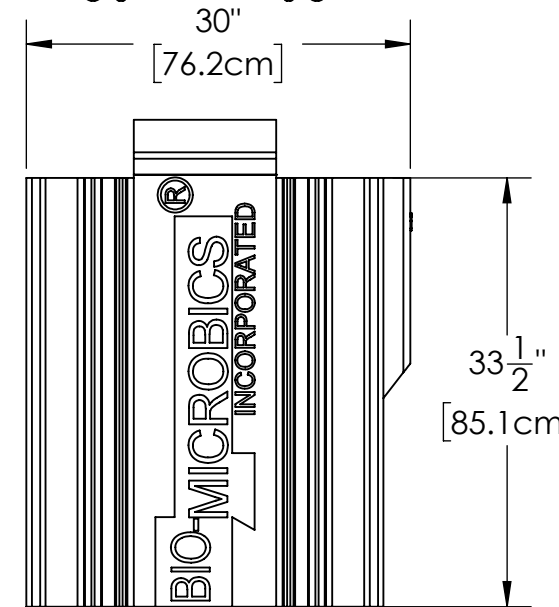
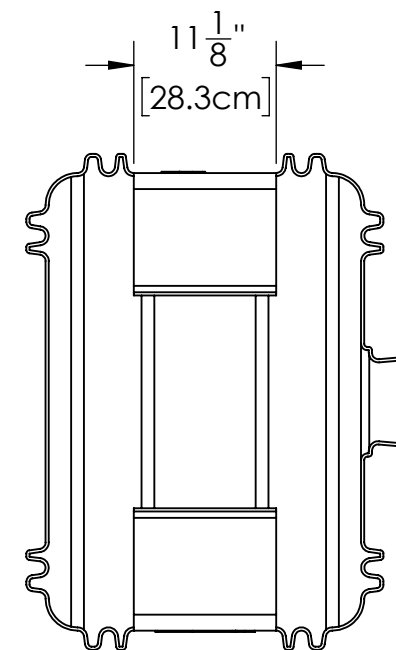
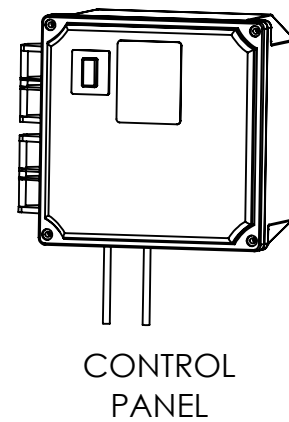
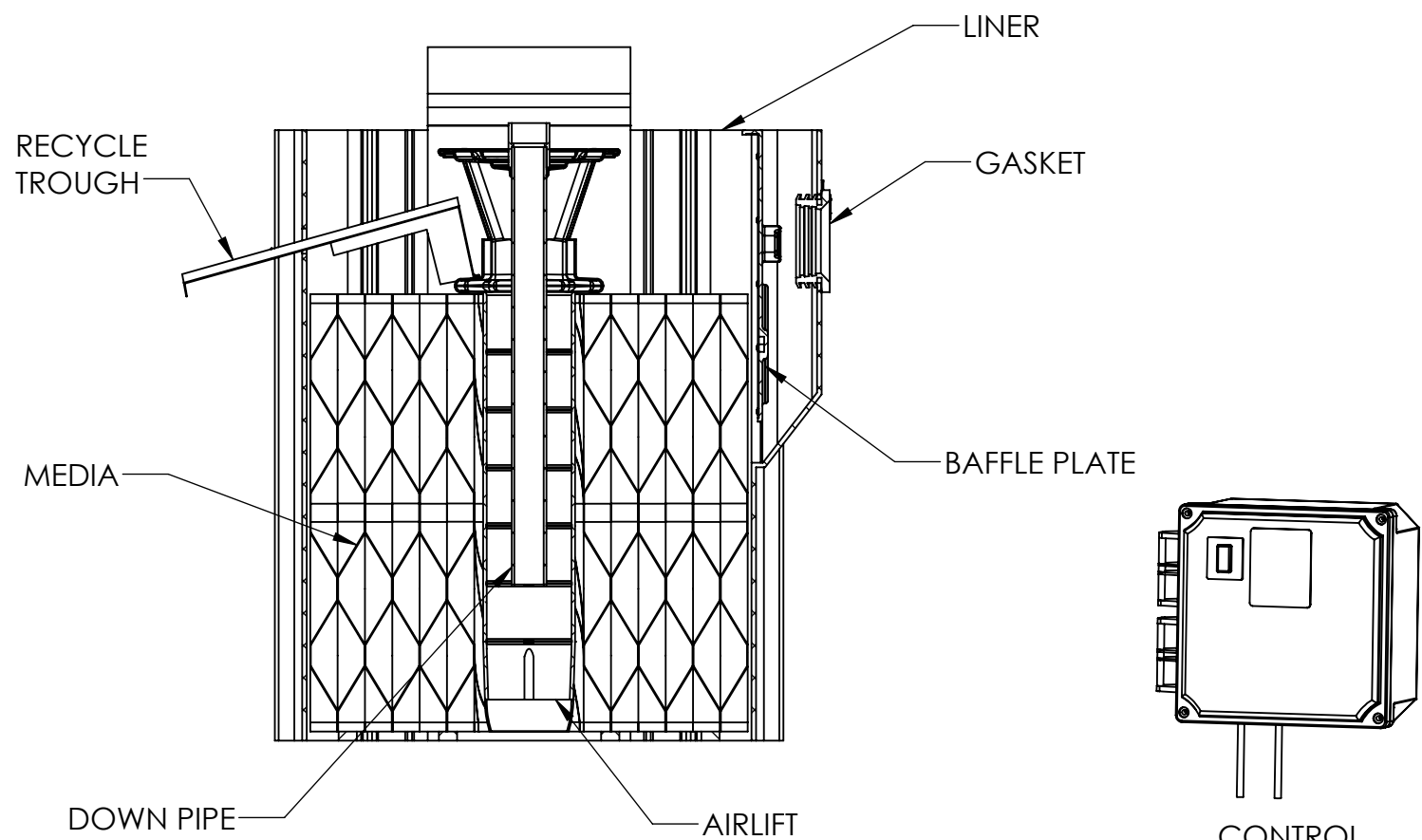


REVISIONS		
REV.	DESCRIPTION	DATE
D	RELEASED TO CURRENT	8/1/2022



RetroFAST® 0.375


<p>PROPRIETARY AND CONFIDENTIAL</p> <p>THE INFORMATION CONTAINED IN THIS DRAWING IS THE SOLE PROPERTY OF BIOMICROBICS, INC.. ANY REPRODUCTION IN PART OR AS A WHOLE WITHOUT THE WRITTEN PERMISSION OF BIOMICROBICS, INC. IS PROHIBITED.</p> <p>DO NOT SCALE DRAWING</p>	<p>UNLESS OTHERWISE SPECIFIED DIMENSIONS ARE IN INCHES AND TOLERANCES ARE AS FOLLOWS</p> <p>X° ± 1° .X ± .50 .XX ± .25</p>		
	<p>DRAWN BY: ESG</p> <p>DATE: 8/1/2022</p>	<p>DESCRIPTION RetroFAST® 0.375</p>	
	<p>APPROVED BY: MSH</p> <p>APPROVED DATE: 8/1/2022</p>	<p>PART NUMBER 600-FINRTF0.375</p>	<p>REV D</p>
<p>SHEET 1 OF 6</p> <p>SCALE: 1:8</p>	<p>SIZE: B</p>		

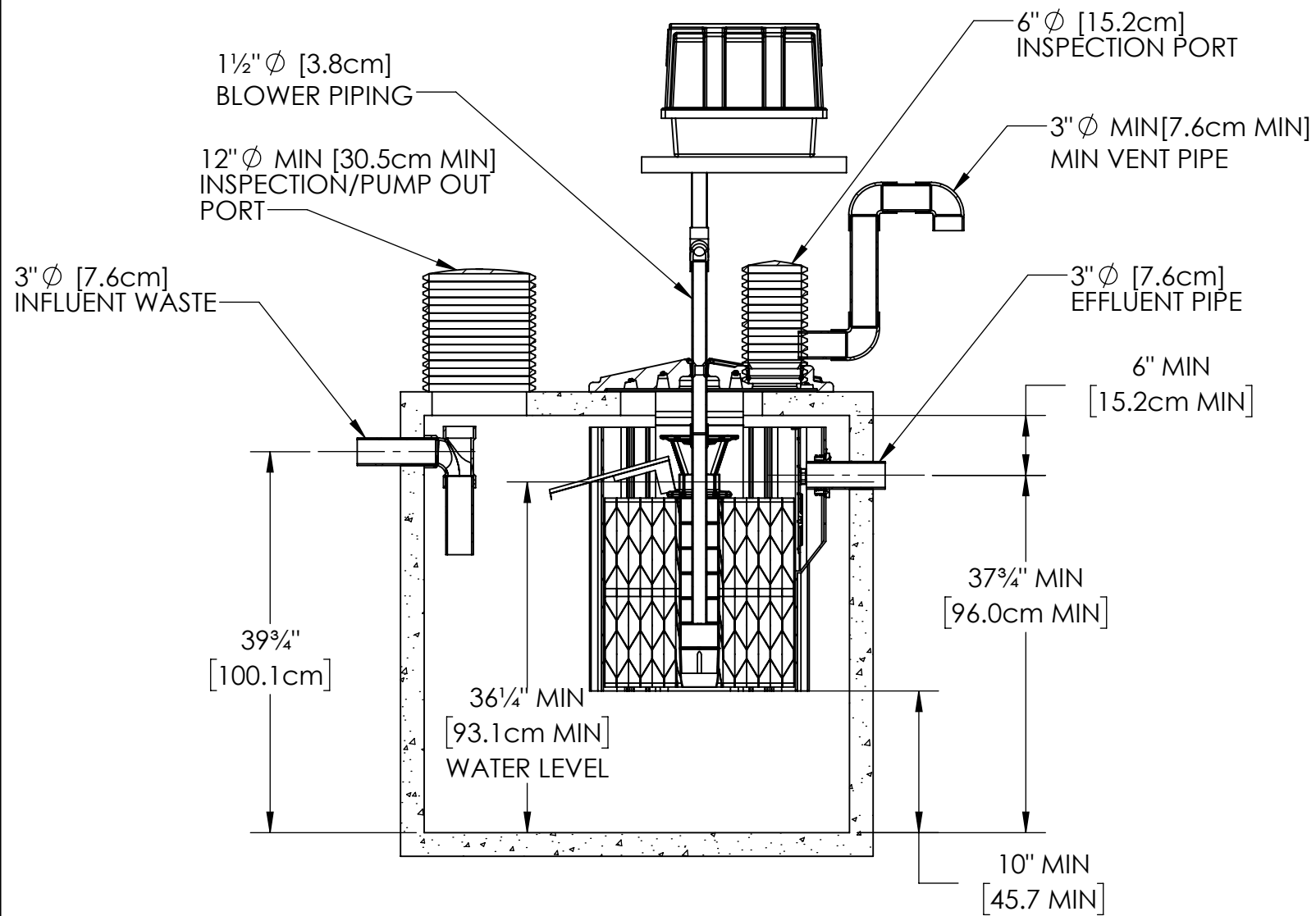


LID (SEALANT PROVIDED)

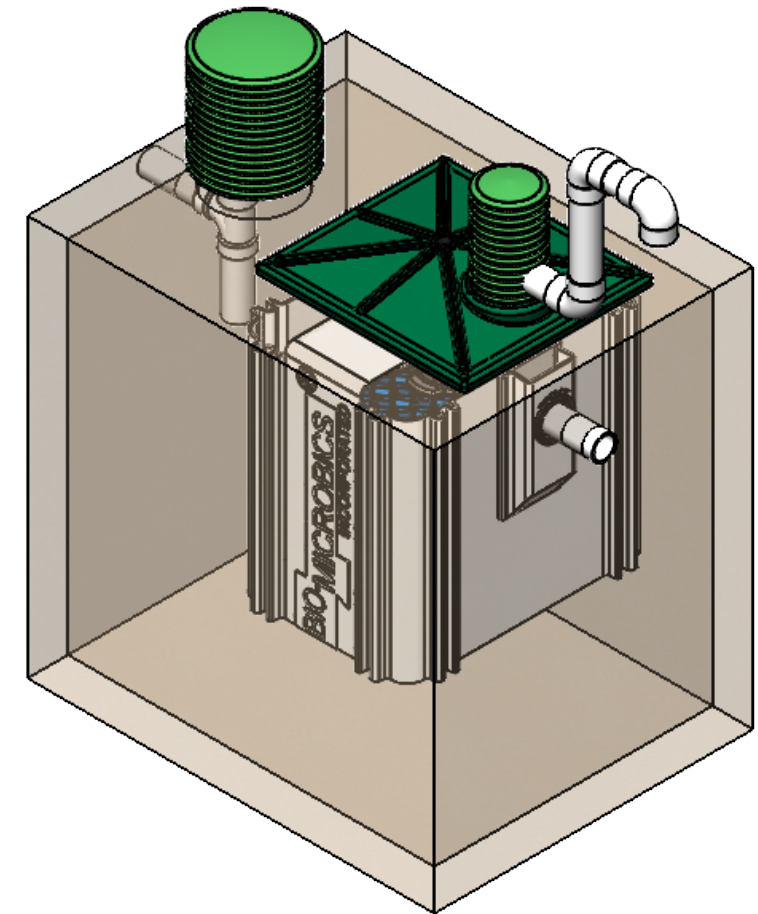
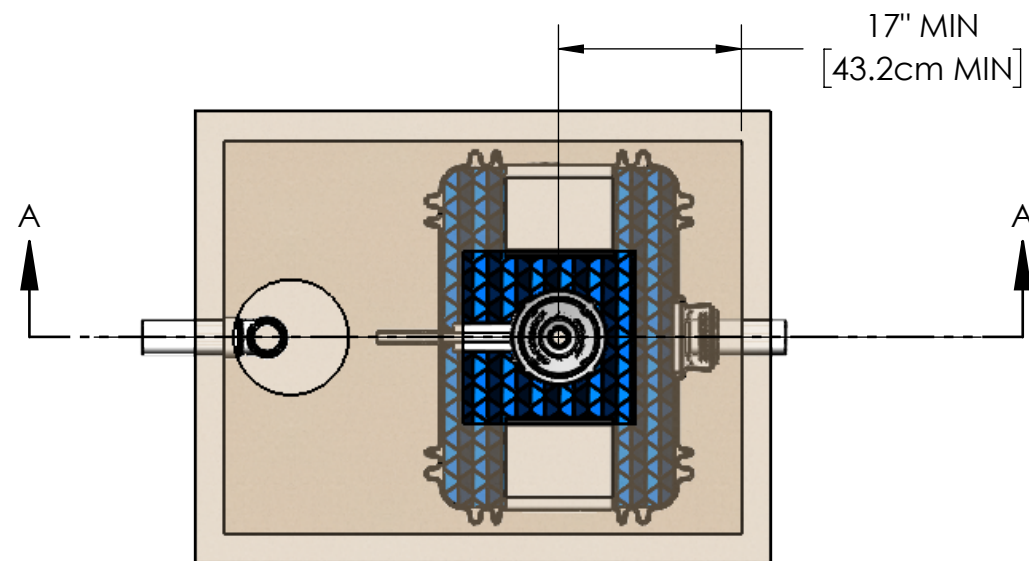
NOTES:

- ITEMS ARE DEPICTIONS AND MAY VARY IN APPEARANCE.

<p>PROPRIETARY AND CONFIDENTIAL</p> <p>THE INFORMATION CONTAINED IN THIS DRAWING IS THE SOLE PROPERTY OF BIOMICROBICS, INC.. ANY REPRODUCTION IN PART OR AS A WHOLE WITHOUT THE WRITTEN PERMISSION OF BIOMICROBICS, INC. IS PROHIBITED.</p> <p>DO NOT SCALE DRAWING</p>	<p>UNLESS OTHERWISE SPECIFIED DIMENSIONS ARE IN INCHES AND TOLERANCES ARE AS FOLLOWS</p> <p>X° ± 1°</p> <p>.X ± .50</p> <p>.XX ± .25</p>			
	<p>DRAWN BY: ESG</p> <p>DATE: 8/1/2022</p>			<p>DESCRIPTION: RetroFAST@ 0.375 UNIT</p>
<p>SHEET 2 OF 6</p>		<p>APPROVED BY: MSH</p> <p>APPROVED DATE: 8/1/2022</p>	<p>PART NUMBER: 600-FINRTF0.375</p>	<p>REV: D</p>
<p>SCALE: 1:15</p>	<p>SIZE: B</p>			




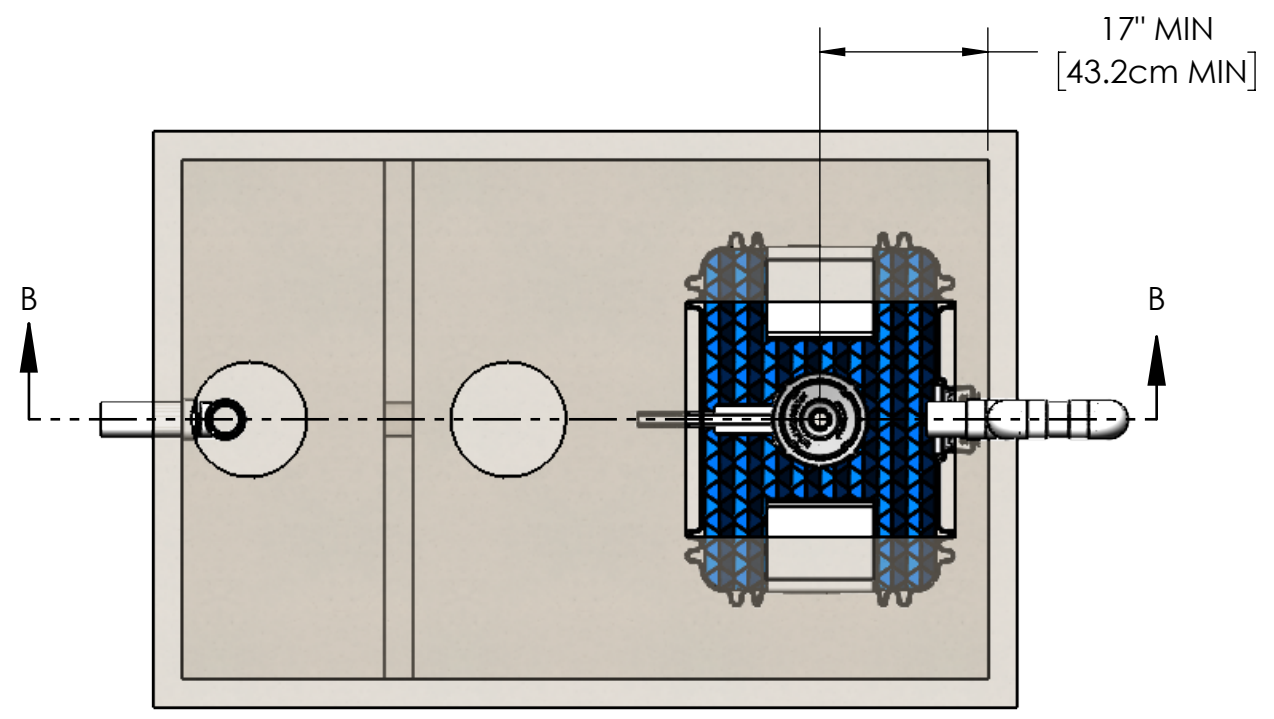
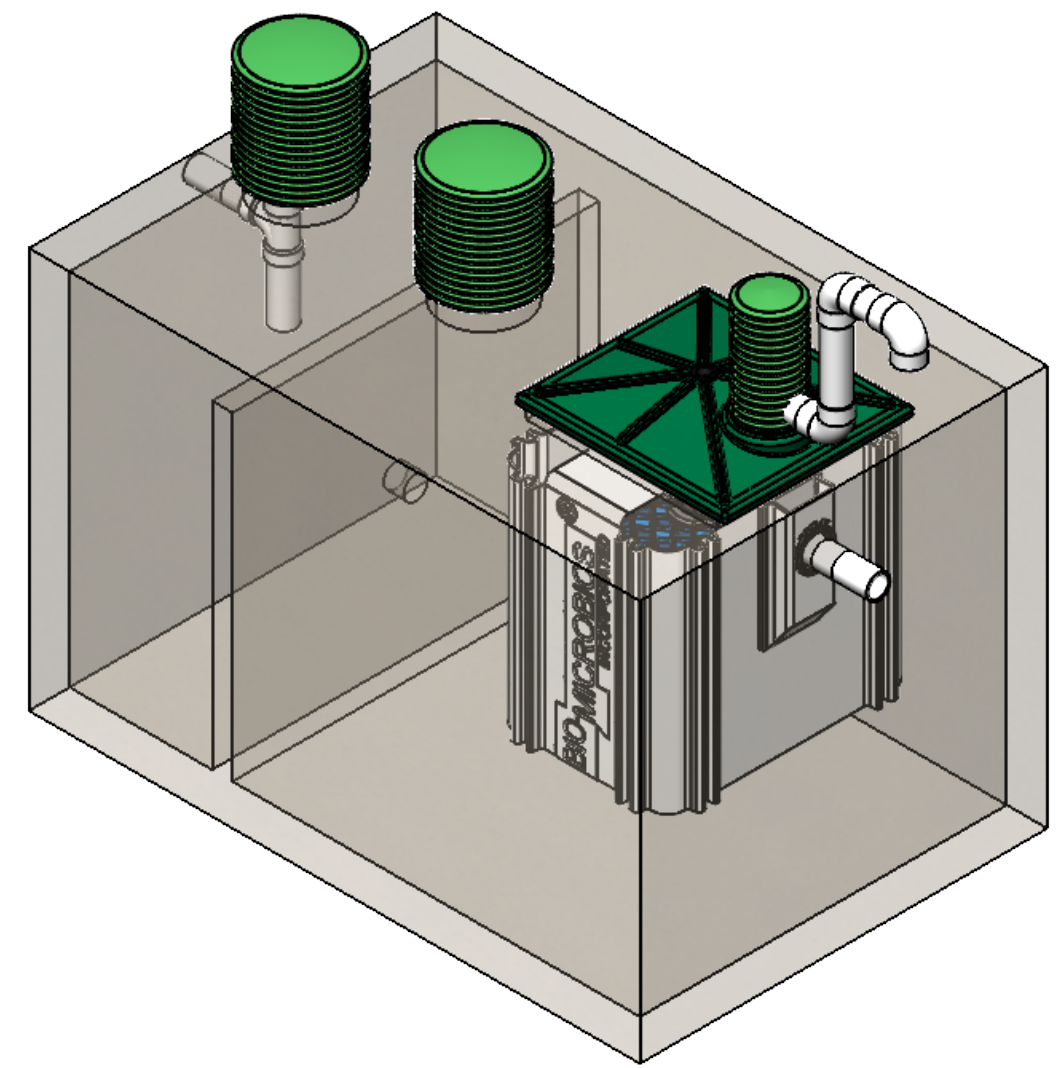
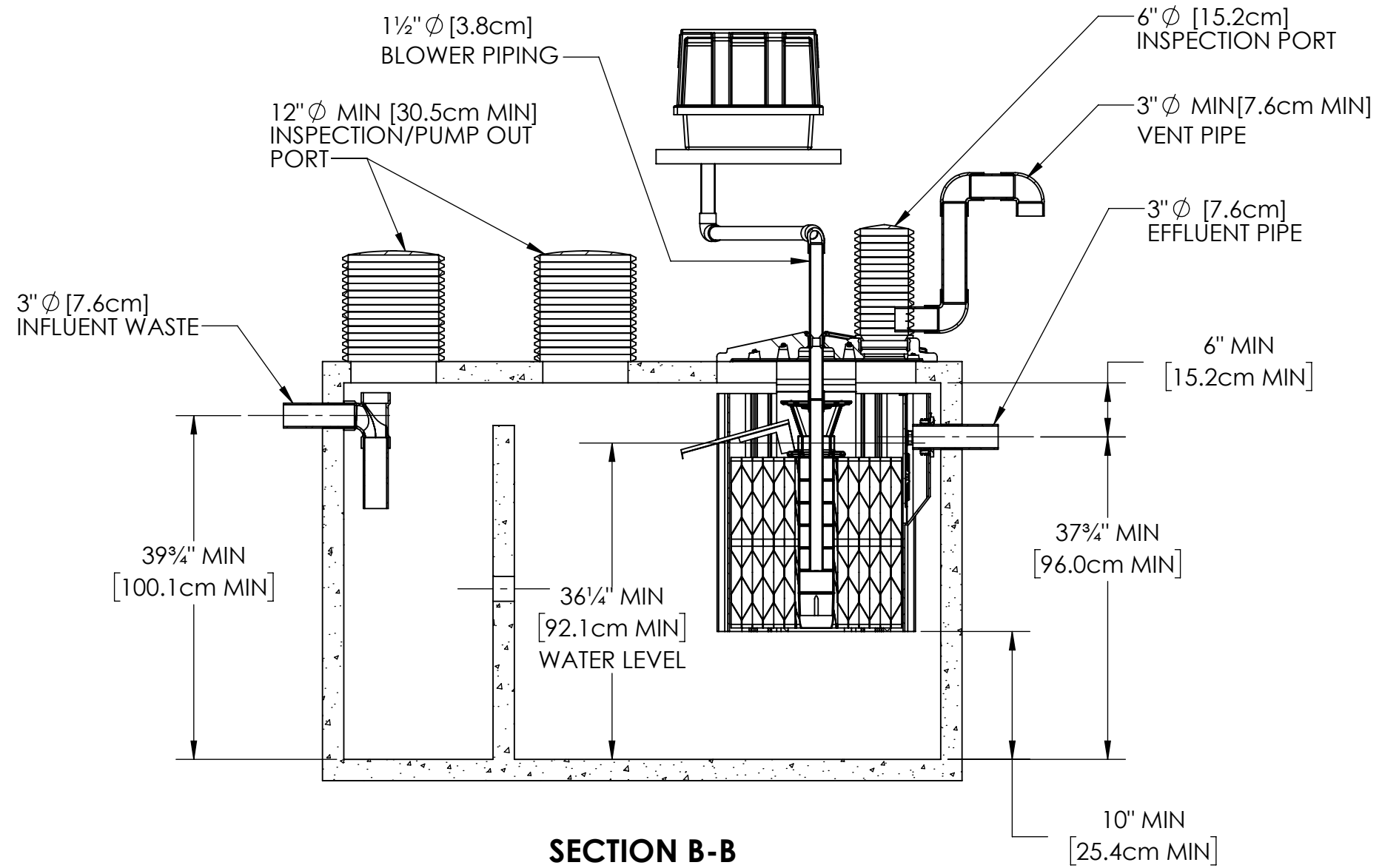
SECTION A-A



NOTES:


1. AIRLINE PIPING TO FAST® MAY NOT EXCEED 100 FT (30M) TOTAL LENGTH AND HAVE A MAXIMUM OF 4 ELBOWS IN THE PIPING SYSTEM. FOR DISTANCES GREATER THAN 100 FT (30M) CONSULT FACTORY.
2. IF LESS THAN THE SPECIFIED MINIMUMS ARE CONSIDERED NECESSARY, CONSULT FACTORY FOR GUIDANCE.
3. SPECIALIZED TREATMENT LEVELS MAY REQUIRE SPECIFIC FEATURES TO BE INCORPORATED INTO THE DESIGN. CONSULT FACTORY FOR GUIDANCE.
4. SOME ITEMS REMOVED FOR CLARITY.

<p>PROPRIETARY AND CONFIDENTIAL</p> <p>THE INFORMATION CONTAINED IN THIS DRAWING IS THE SOLE PROPERTY OF BIOMICROBICS, INC.. ANY REPRODUCTION IN PART OR AS A WHOLE WITHOUT THE WRITTEN PERMISSION OF BIOMICROBICS, INC. IS PROHIBITED.</p> <p>DO NOT SCALE DRAWING</p>	<p>UNLESS OTHERWISE SPECIFIED DIMENSIONS ARE IN INCHES AND TOLERANCES ARE AS FOLLOWS</p> <p>X° ± 1° .X ± .50 .XX ± .25</p>			
	<p>DRAWN BY: ESG</p> <p>DATE: 8/1/2022</p>			<p>DESCRIPTION RetroFAST® 0.375 RETROFIT</p>
<p>SHEET 3 OF 6</p>		<p>APPROVED BY: MSH</p> <p>APPROVED DATE: 8/1/2022</p>	<p>PART NUMBER 600-FINRTF0.375</p>	<p>REV D</p>
<p>SCALE: 1:20</p>	<p>SIZE: B</p>			

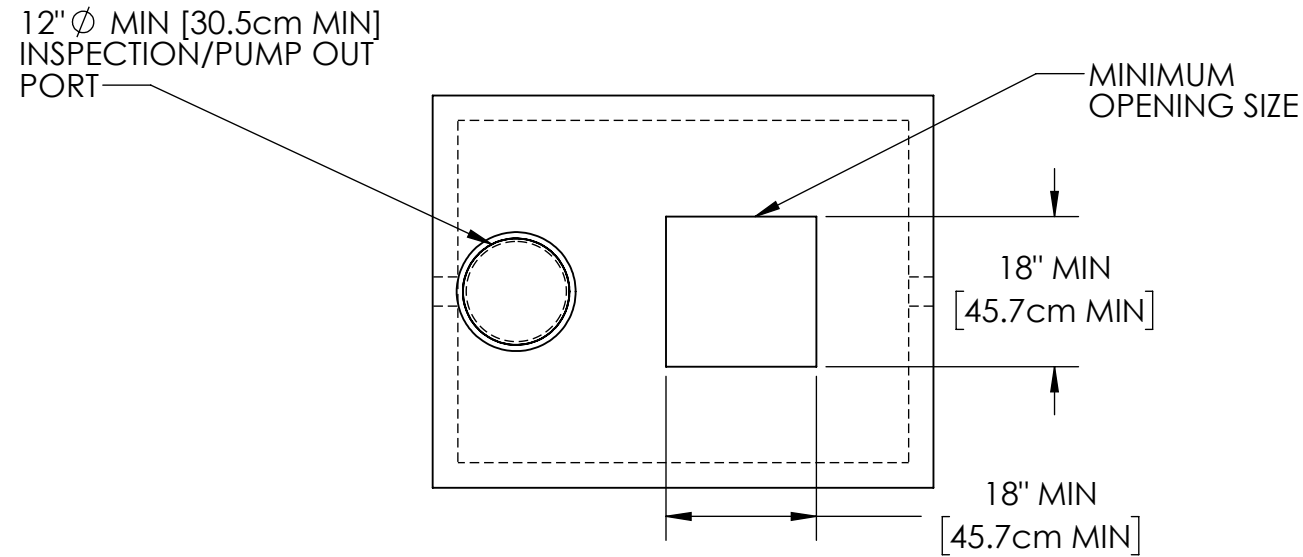


NOTES:

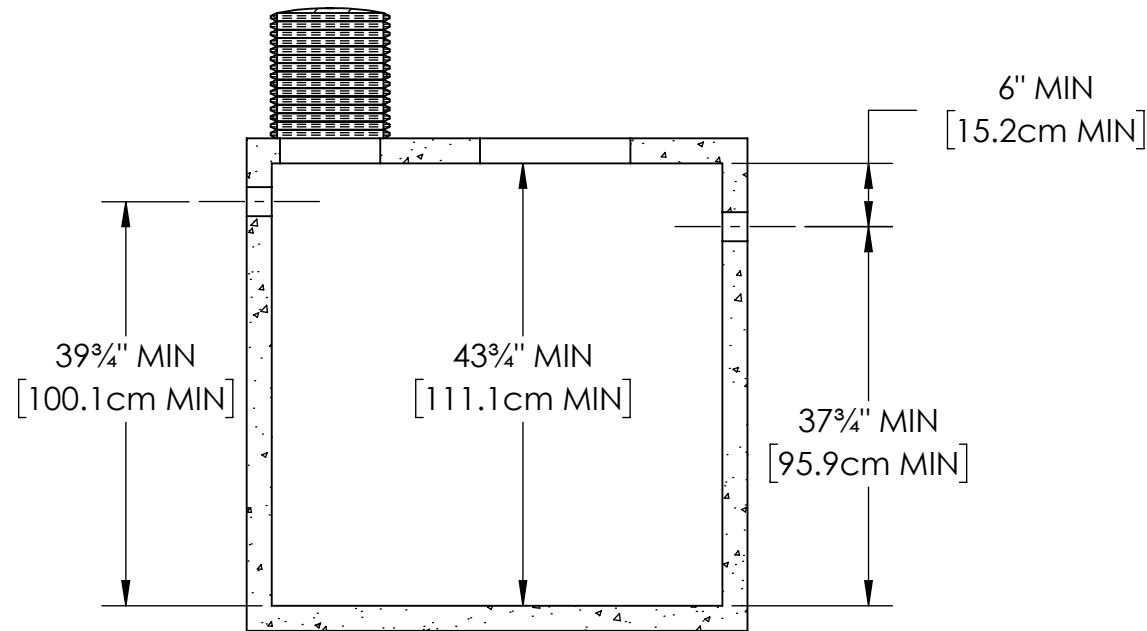
1. AIRLINE PIPING TO FAST® MAY NOT EXCEED 100 FT (30M) TOTAL LENGTH AND HAVE A MAXIMUM OF 4 ELBOWS IN THE PIPING SYSTEM. FOR DISTANCES GREATER THAN 100 FT (30M) CONSULT FACTORY.
2. IF LESS THAN THE SPECIFIED MINIMUMS ARE CONSIDERED NECESSARY, CONSULT FACTORY FOR GUIDANCE.
3. SPECIALIZED TREATMENT LEVELS MAY REQUIRE SPECIFIC FEATURES TO BE INCORPORATED INTO THE DESIGN. CONSULT FACTORY FOR GUIDANCE.
4. SOME ITEMS REMOVED FOR CLARITY.

PROPRIETARY AND CONFIDENTIAL		UNLESS OTHERWISE SPECIFIED DIMENSIONS ARE IN INCHES AND TOLERANCES ARE AS FOLLOWS		 BETTER WATER. BETTER WORLD.	
THE INFORMATION CONTAINED IN THIS DRAWING IS THE SOLE PROPERTY OF BIOMICROBICS, INC.. ANY REPRODUCTION IN PART OR AS A WHOLE WITHOUT THE WRITTEN PERMISSION OF BIOMICROBICS, INC. IS PROHIBITED.		X° ± 1° .X ± .50 .XX ± .25			
DO NOT SCALE DRAWING		DRAWN BY: ESG		DESCRIPTION RetroFAST® 0.375 NEW CONSTRUCTION	
SHEET 4 OF 6		DATE: 8/1/2022		PART NUMBER	
SCALE: 1:20		APPROVED BY: MSH		600-FINRTF0.375	
SIZE: B		APPROVED DATE: 8/1/2022		REV D	

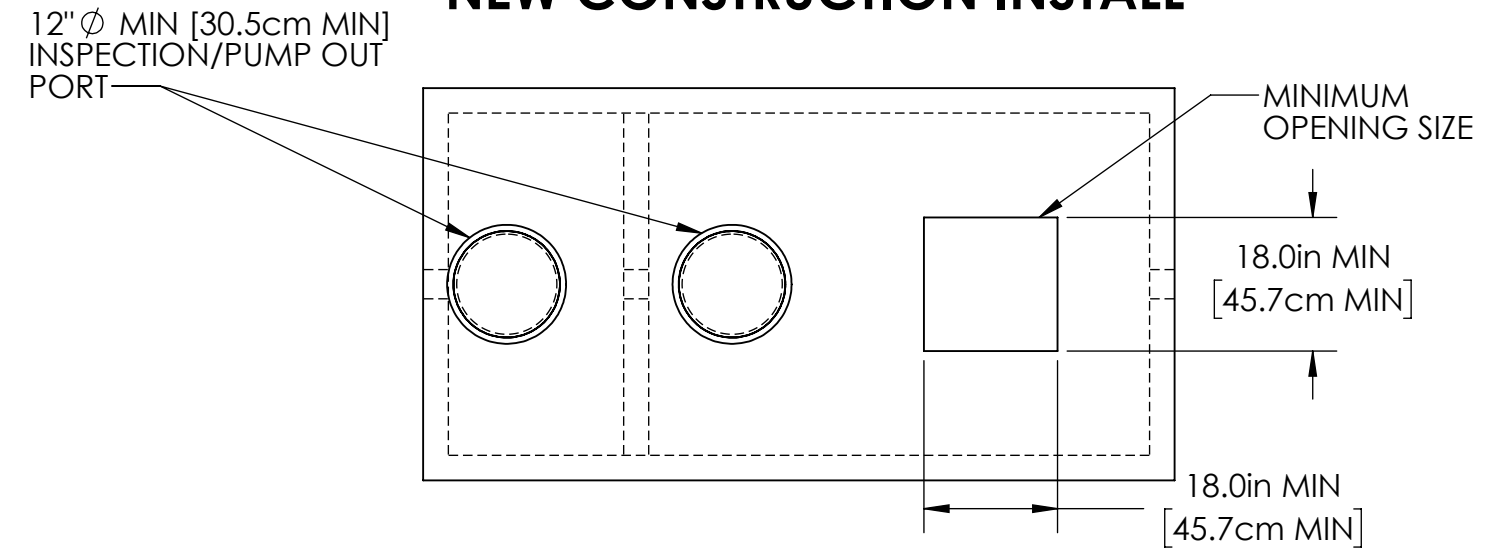
RETROFIT INSTALL



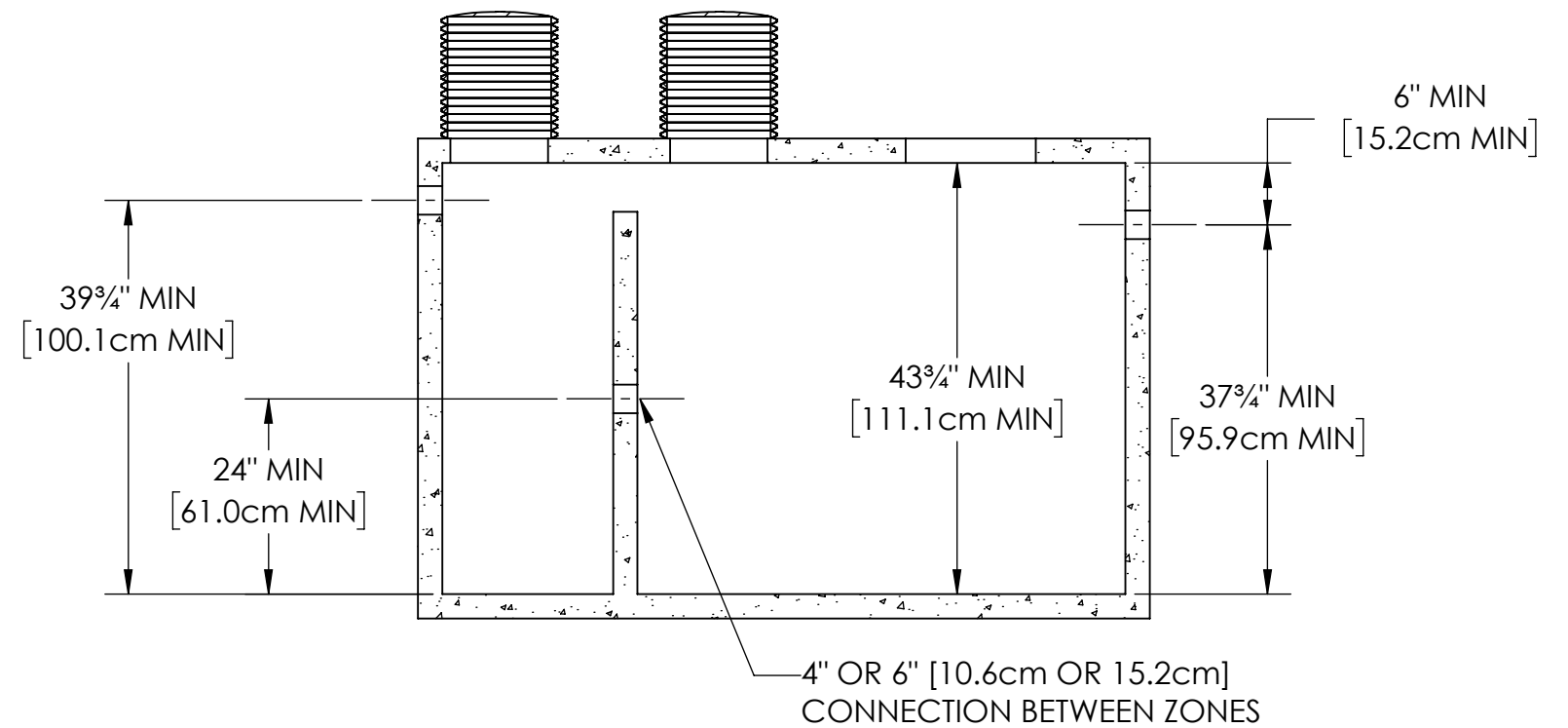
TREATMENT ZONE
350 GALLON MIN (1325 L MIN)



NEW CONSTRUCTION INSTALL



SETTLING ZONE 275 GALLON MIN (1040 L MIN) **TREATMENT ZONE** 350 GALLON MIN (1325 L MIN)

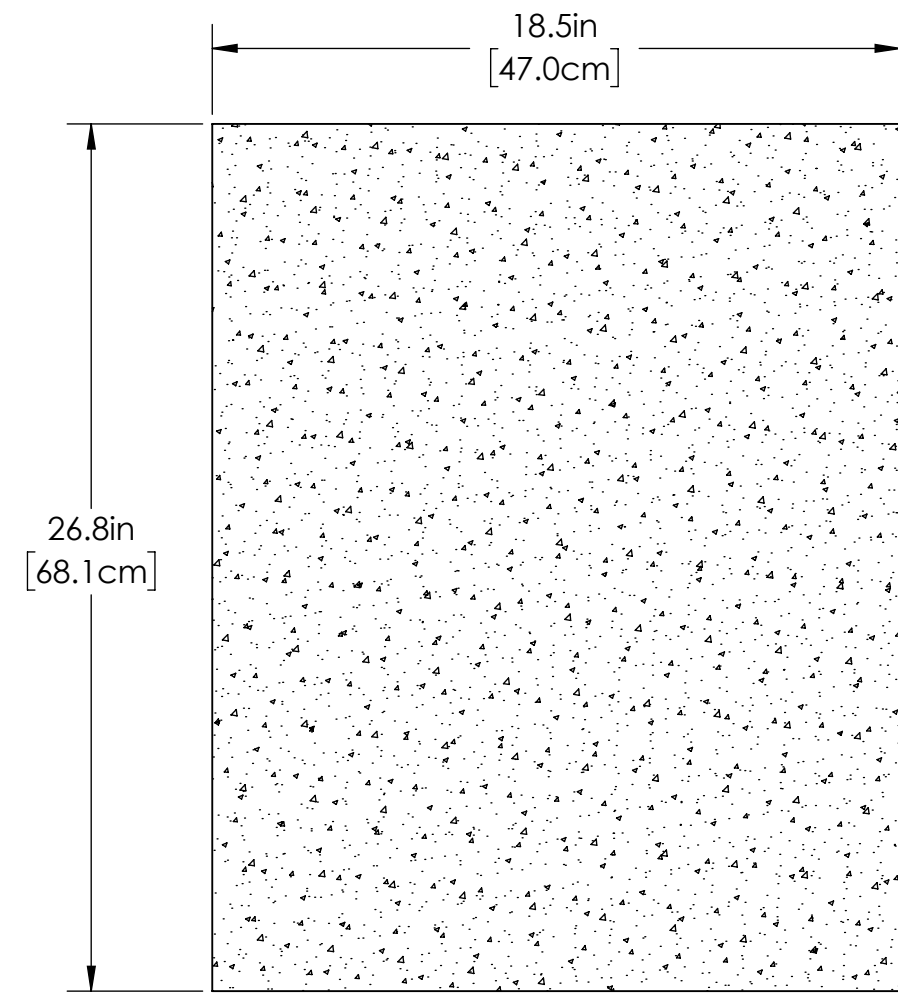
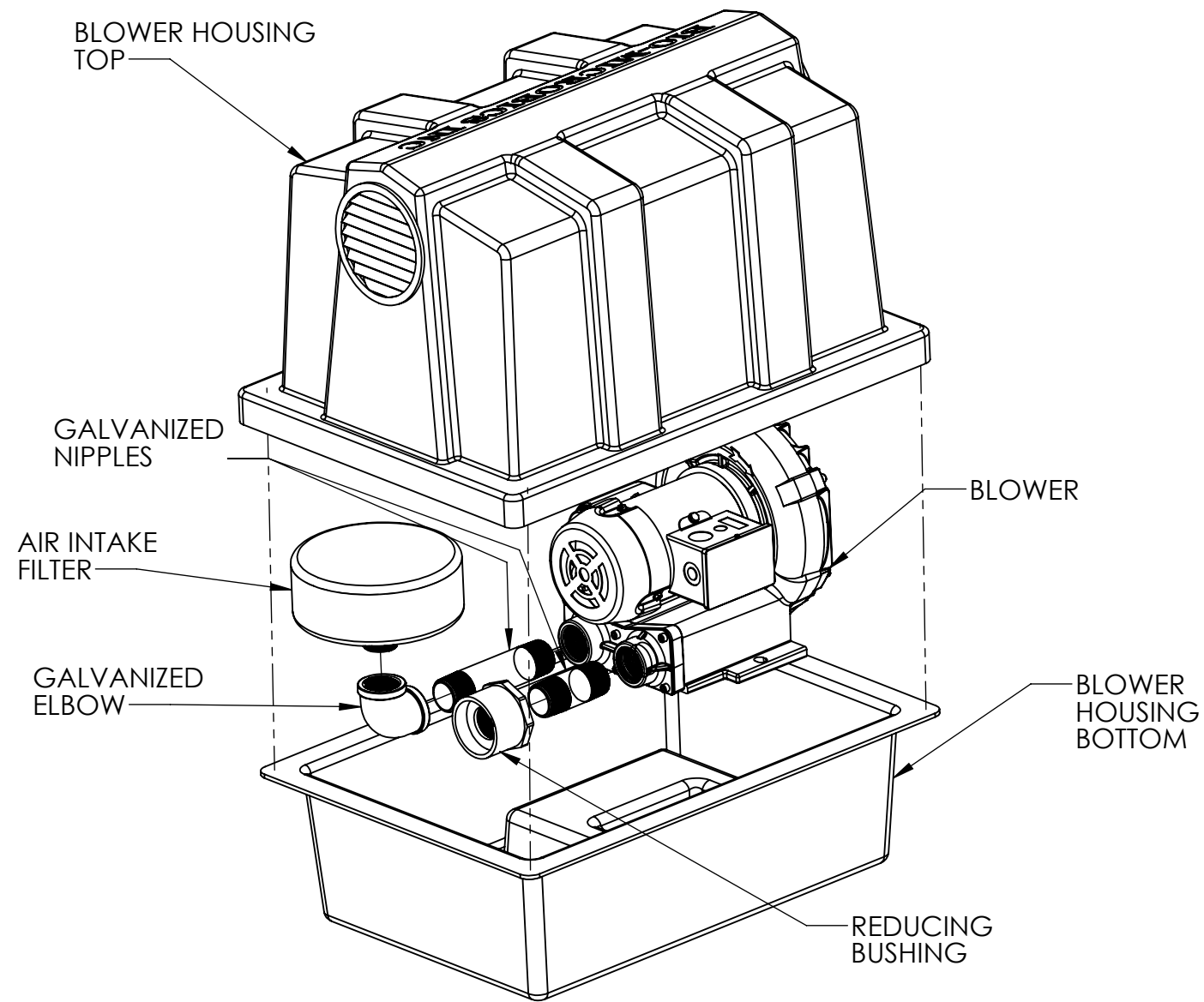


NOTES:

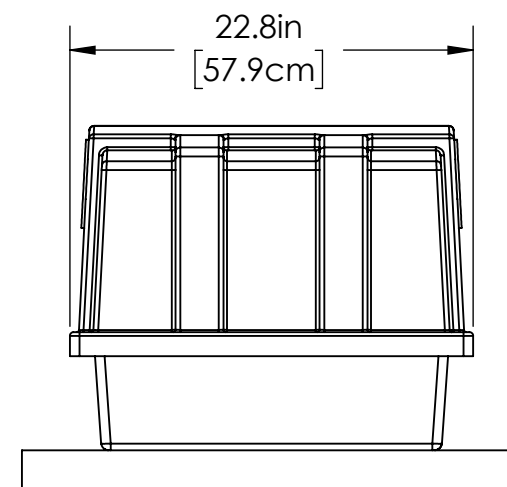
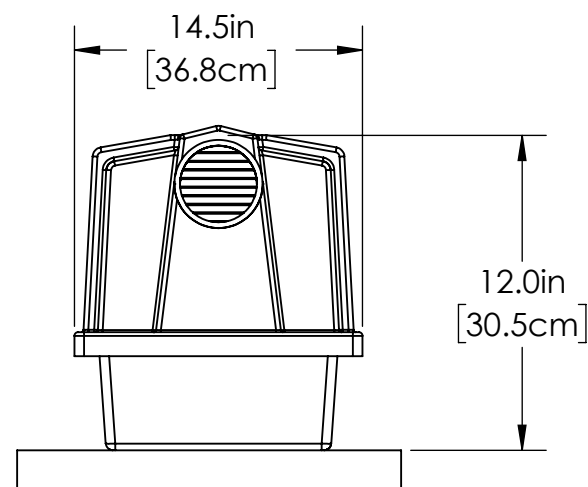
1. **MINIMUM DIMENSIONS DO NOT DETERMINE OVERALL TANK CAPACITY.**
2. INSPECTION/PUMPOUT PORT LOCATIONS MAY VARY DEPENDING ON TANK CONSTRUCTION.
3. ALL APPURTENANCES TO FAST® (E.G. TANKS, ACCESS PORTS, ELECTRICAL, ETC.) MUST CONFORM TO ALL APPLICABLE COUNTY, STATE, PROVINCE, AND LOCAL PLUMBING AND ELECTRICAL CODES.
4. PUMP OUT ACCESS SHALL BE ADEQUATE TO THOROUGHLY CLEAN OUT SETTLING AND TREATMENT ZONES.
5. IF LESS THAN THE SPECIFIED MINIMUMS ARE CONSIDERED NECESSARY, CONSULT FACTORY FOR GUIDANCE.
6. SPECIALIZED TREATMENT NEEDS MAY REQUIRE SPECIFIC FEATURES TO BE INCORPORATED INTO THE DESIGN. CONSULT FACTORY FOR GUIDANCE.
7. MINIMUM OF 2.0in [5.1cm] INVERT IS NECESSARY BETWEEN THE INLET AND OUTLET OF EACH ZONE FOR GRAVITY FLOW SYSTEMS.
8. TANK VOLUMES MAY VARY BY APPLICATION AND JURISDICTION.
9. RETROFAST UNITS CAN GO INTO OTHER THAN SHOWN TYPES OF TANKS, NON RECTANGULAR, PLASTIC, ETC.
10. TANKS OF VARYING SHAPE AND MATERIAL CAN BE USED WITHIN SPECIFIED MINIMUMS.
11. TANK SET UP MAY BE DIFFERENT THAN SHOWN, i.e., SEPARATE SETTLING AND TREATMENT TANKS.
12. THE OPENING TO INSERT THE LINER INTO THE TANK CAN BE ROUND OR SQUARE.

PROPRIETARY AND CONFIDENTIAL		UNLESS OTHERWISE SPECIFIED DIMENSIONS ARE IN INCHES AND TOLERANCES ARE AS FOLLOWS	
THE INFORMATION CONTAINED IN THIS DRAWING IS THE SOLE PROPERTY OF BIOMICROBICS, INC.. ANY REPRODUCTION IN PART OR AS A WHOLE WITHOUT THE WRITTEN PERMISSION OF BIOMICROBICS, INC. IS PROHIBITED.		X° ± 1° .X ± .50 .XX ± .25	
DO NOT SCALE DRAWING		DRAWN BY: ESG	DESCRIPTION TANK DETAIL DIMENSIONS
SHEET 5 OF 6		DATE: 8/1/2022	PART NUMBER 600-FINRTF0.375
SCALE: 1:20	SIZE: B	APPROVED BY: MSH	REV D
		APPROVED DATE: 8/1/2022	





BLOWER PAD



- NOTES:**
1. SOME RETROFAST CONFIGURATIONS MAY REQUIRE DIFFERENT BLOWER HOUSINGS.
 2. BLOWER MUST BE LOCATED ABOVE FLOOD LEVELS.

<p>PROPRIETARY AND CONFIDENTIAL</p> <p>THE INFORMATION CONTAINED IN THIS DRAWING IS THE SOLE PROPERTY OF BIOMICROBICS, INC.. ANY REPRODUCTION IN PART OR AS A WHOLE WITHOUT THE WRITTEN PERMISSION OF BIOMICROBICS, INC. IS PROHIBITED.</p> <p>DO NOT SCALE DRAWING</p>	<p>UNLESS OTHERWISE SPECIFIED DIMENSIONS ARE IN INCHES AND TOLERANCES ARE AS FOLLOWS</p> <p>X° ± 1° X ± .50 XX ± .25</p>			
	<p>DRAWN BY: ESG</p> <p>DATE: 8/1/2022</p>			<p>DESCRIPTION</p> <p>BLOWER PAD DETAILS</p>
<p>SHEET 6 OF 6</p>		<p>APPROVED BY: MSH</p> <p>APPROVED DATE: 8/1/2022</p>	<p>PART NUMBER</p> <p>600-FINRTF0.375</p>	<p>REV</p> <p>D</p>
<p>SCALE: 1:12</p>	<p>SIZE: B</p>			