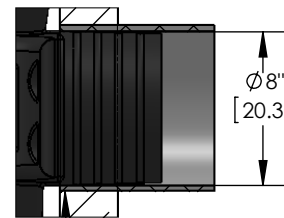
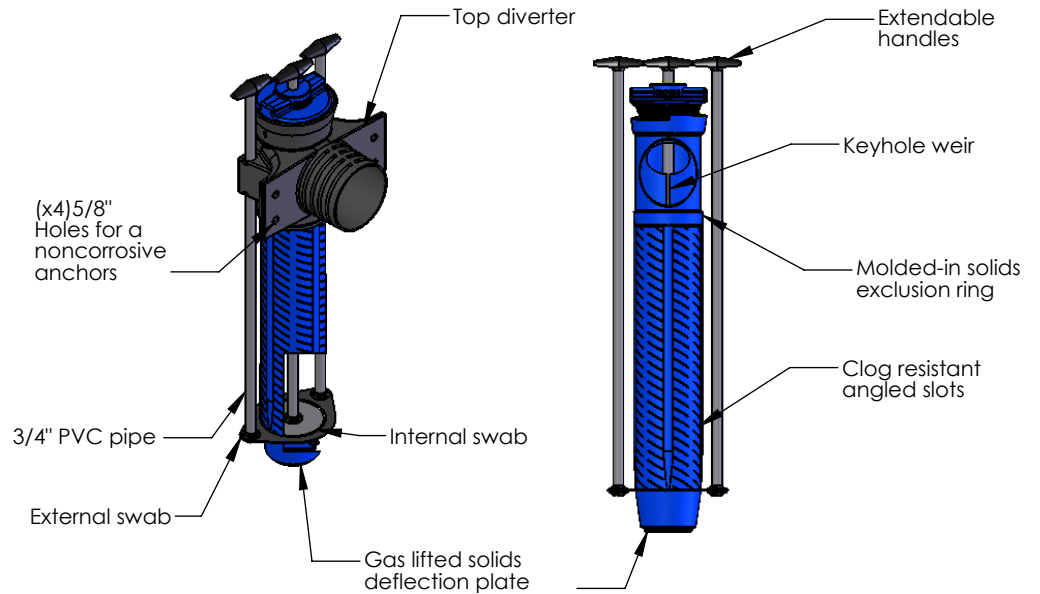


If installed as shown in a single compartment tank the 8" PVC pipe must be water tight within the tank and flush against the inside to mount 8" SaniTEE top diverter



Notes:

- SNT 818-B is a 1/8" [3.2 mm] effluent screen capable of screening up to 3,000 GPD [11 cubic meters per day].
- SNT 818 is a 1/8" [3.2 mm] effluent screen capable of screening up to 6,000 GPD [23 cubic meters per day].
- SNT 838 is a 3/8" [9.5 mm] effluent screen capable of screening up to 10,000 GPD [38 cubic meters per day].
- Outlet pipe not included.
- All appurtenances to SaniTEE® (e.g. septic tank, access risers, etc) must conform to all applicable codes.

DO NOT SCALE  
UNLESS NOTED  
DIMENSIONS  
ARE IN INCHES  
[CENTIMETERS]  
TOLERANCES  
 $\pm$  0.02 IN/IN  
[ $\pm$  0.05 CM/CM]



8 Inch SANITEE

THE INFORMATION CONTAINED IN THIS DRAWING IS THE SOLE PROPERTY OF BIO-MICROBICS INC. ANY REPRODUCTION IN PART OR AS A WHOLE WITHOUT THE WRITTEN PERMISSION OF BIO-MICROBICS INC. IS PROHIBITED. DESIGN AND INVENTION RIGHTS ARE RESERVED. IN THE INTEREST OF TECHNOLOGICAL ADVANCEMENT, ALL PRODUCTS ARE SUBJECT TO DESIGN AND OR MATERIAL CHANGE WITHOUT NOTICE.

BIO-MICROBICS © 2014

WEIGHT	lb	SIZE	DRAWING NUMBER	SHEET 1 OF 1
NAME	DATE	A	SaniTEE® 818-B, 818, & 838	
DRAWN	CTC	3/31/2005		
CHECKED	PF	6/17/2014	REVISED 6/17/2014	REV. CAT-01