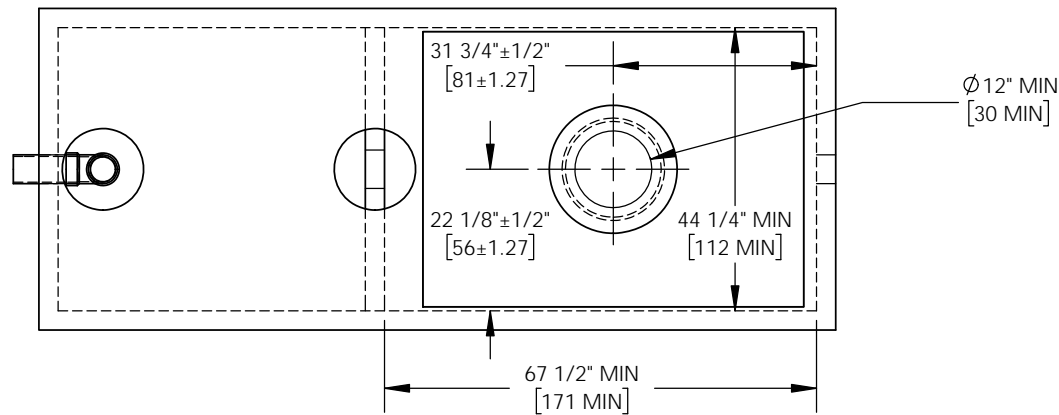


Settling Zone
375 Gallons MIN
[1700L MIN]

Treatment Zone
625 Gallons MIN
[2400L MIN]



SUPPLIED BILL OF MATERIALS

ITEM NO.	PART NUMBER	DESCRIPTION	QTY.	Option
1	RetroFIT tank	MicroFIT-ee 0.625 Unit	1	
2	222-BLHMN	BLOWER HOUSING MINI	1	
3	TBD	BLOWER & FITTINGS (NOT SHOWN)	1	
4	112-CPB22010AMI	CONTROL PANEL (NOT SHOWN)	1	*

NOTES

- Airline piping to FITT® may not exceed 50 FT [15m] total length and have a maximum of 4 elbows in the piping system. For distances greater than 50 FT [15m] consult factory. Blower must be located above flood levels on a concrete base 26" X 20" X 2" [65 X 50 X 5cm] min.
- Vent to desired location and cover opening with a vent grate with at least 4 sq in. [25 sq. cm] open surface area. Secure with stainless steel screws. Vent piping must not allow condensate build up or create back pressure. Vent must be above finished grade or higher.
- All appurtenances to FITT® (e.g. tanks, access ports, electrical, etc.) must conform to all applicable country, state, province, and local plumbing and electrical codes. Pump out access shall be adequate to thoroughly clean out the tank.
- All inspection, viewing and pump out ports must be secured to prevent accidental or unauthorized access.
- Tank, piping, conduit, etc. are provided by others. Blower & optional blower control system by Bio-Microbics, Inc. See Installation Manual.
- MicroFIT-ee® unit must be secured by leg extensions bolted through tank.
- If less than the specified minimum is considered necessary, consult factory for guidance.
- All piping and ancillary equipment installed after FITT must not impede or restrict free flow of effluent.
- Effluent hole will accept a 3" [7.5cm] SCH 40 PVC pipe which can be then inserted into a 4" [10cm] discharge pipe in the septic tank.

REVISIONS

REV.	DESCRIPTION	DATE
A	RELEASED	4/18/2018

DO NOT SCALE
UNLESS NOTED
DIMENSIONS
ARE IN INCHES
[CENTIMETERS]
TOLERANCES
± 0.02 IN/IN
[± 0.05 CM/CM]

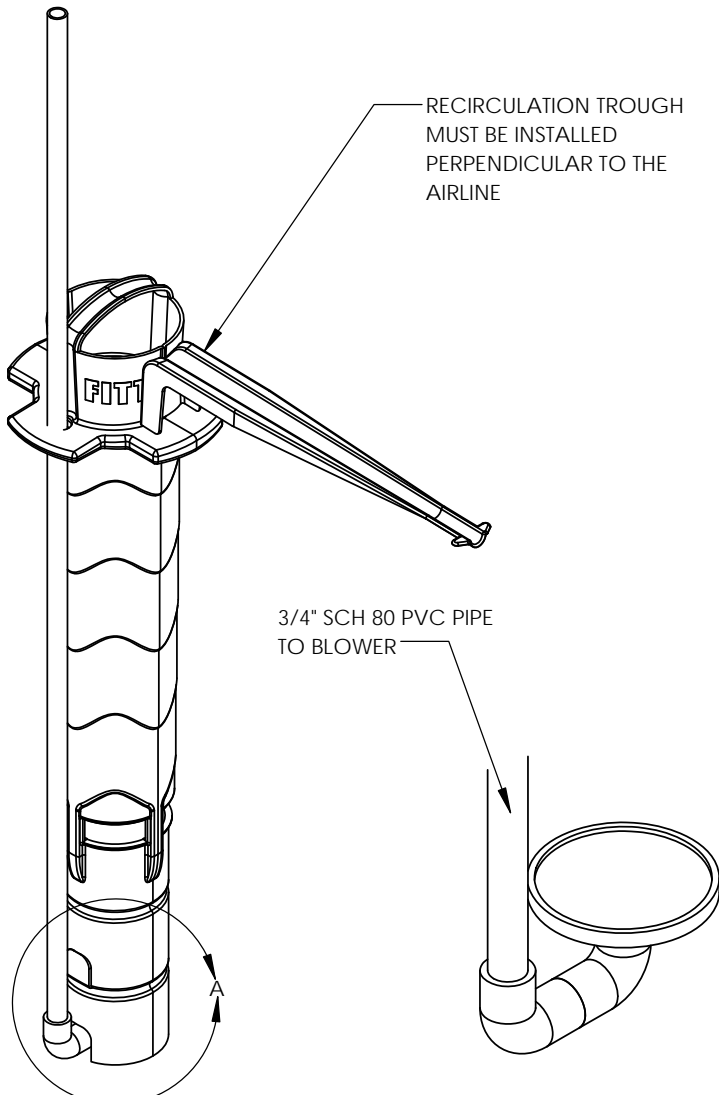


600-FINMCF-EE0.625

NAME	DATE	SIZE	DESCRIPTION	SHEET
DRAWN HRA	4/17/2018	A	MicroFIT-ee 0.625	1 OF 2
CHECKED JR	4/17/2018			

THE INFORMATION CONTAINED IN THIS DRAWING IS THE SOLE PROPERTY OF BIO-MICROBICS INC. ANY REPRODUCTION IN PART OR AS A WHOLE WITHOUT THE WRITTEN PERMISSION OF BIO-MICROBICS INC. IS PROHIBITED. DESIGN AND INVENTION RIGHTS ARE RESERVED. IN THE INTEREST OF TECHNOLOGICAL ADVANCEMENT, ALL PRODUCTS ARE SUBJECT TO DESIGN AND OR MATERIAL CHANGE WITHOUT NOTICE.

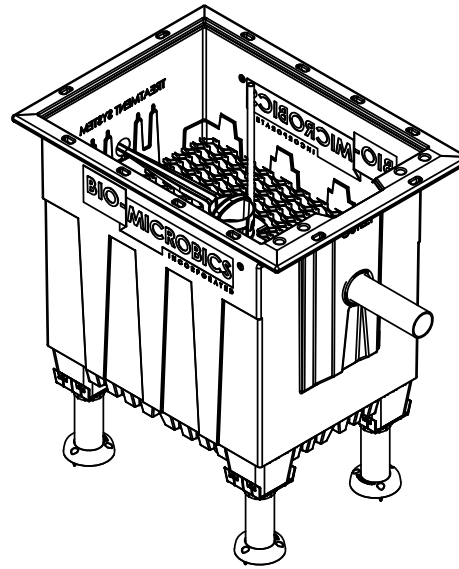
BIO-MICROBICS © 2018



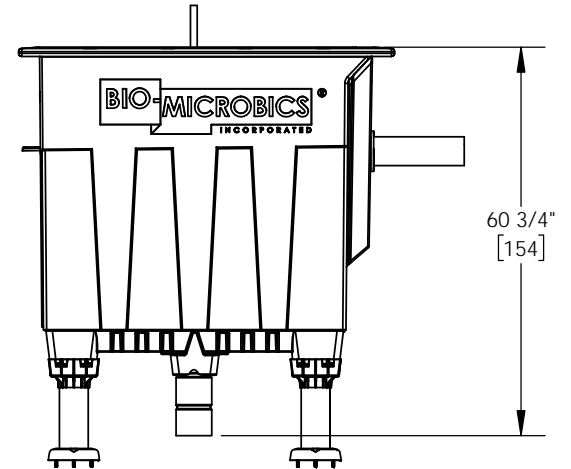
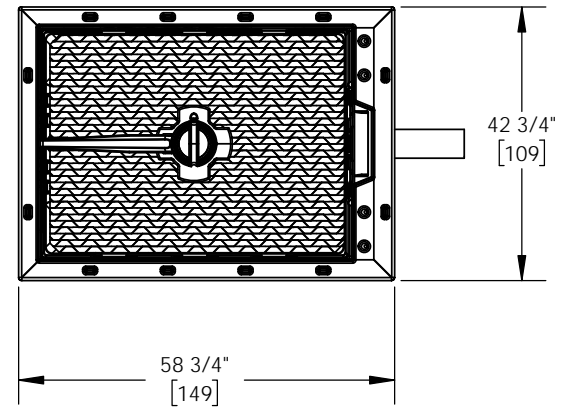
FITT lift

FINE BUBBLE DIFFUSER

DETAIL A
SCALE 1 : 5



MicroFITT-ee UNIT



DO NOT SCALE			600-FINMCF-EE0.625
UNLESS NOTED DIMENSIONS ARE IN INCHES [CENTIMETERS] TOLERANCES ± 0.02 IN/IN [± 0.05 CM/CM]			
DESCRIPTION MicroFITT-ee DETAILS		SIZE A	SHEET 2 OF 2
NAME HRA	DATE 4/17/2018		
CHECKED JR	4/17/2018		