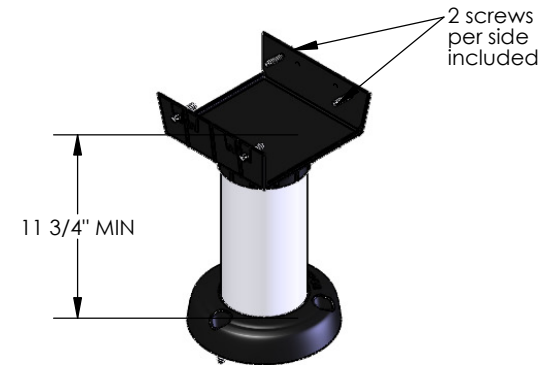


#### NOTES

1. All appurtenances to ABC@-C (e.g. tanks, access ports, electrical, etc.) must conform to all applicable country, state, province, and local plumbing and electrical codes. Pump out access shall be adequate to thoroughly clean out the tank.
2. All inspection, viewing and pump out ports must be secured to prevent accidental or unauthorized access.
3. Tank, piping, conduit, etc. are provided by others. Blower control system by Bio-Microbics, Inc. See Installation & Operation Manual.
4. If less than the specified minimums are considered necessary, consult factory for guidance.
5. All piping and ancillary equipment installed must not impede or restrict free flow of effluent.
6. Specialized treatment levels may require specific features to be incorporated into the design. Consult factory for guidance.
7. Cut 4" schd. 80 PVC pipe (not included) to obtain the desired height. Minimum pipe length of 11 3/4" [30cm]; Consult factory for extending leg beyond 36" [9cm].
8. Anchor the leg extensions to the tank with non-corrosive hardware (not included) at the provided mounting points.
9. Secure leg extension to the FAST@ unit by placing two screws on each side of the leg extension (4 screws per foot are included).

Minimum leg extension assembly see note 7



DO NOT SCALE  
UNLESS NOTED  
DIMENSIONS  
ARE IN INCHES  
[CENTIMETERS]  
TOLERANCES  
 $\pm 0.02$  IN/IN  
[ $\pm 0.05$  CM/CM]

**BIO MICROBICS**  
BETTER WATER. BETTER WORLD.®

ABC-C 3.0

THE INFORMATION CONTAINED IN THIS DRAWING IS THE SOLE PROPERTY OF BIO-MICROBICS INC. ANY REPRODUCTION IN PART OR AS A WHOLE WITHOUT THE WRITTEN PERMISSION OF BIO-MICROBICS INC. IS PROHIBITED. DESIGN AND INVENTION RIGHTS ARE RESERVED. IN THE INTEREST OF TECHNOLOGICAL ADVANCEMENT, ALL PRODUCTS ARE SUBJECT TO DESIGN AND OR MATERIAL CHANGE WITHOUT NOTICE.

BIO-MICROBICS © 2014

WEIGHT	lb	SIZE	DRAWING NUMBER	SHEET 1 OF 2
NAME	DATE	A	Layout	
DRAWN	CTC 5/24/2010			
CHECKED	PF 10/16/2013	REVISED	10/16/2013	

Specifications for ABC@-C Specialty Clarifier

**1. GENERAL**  
 The contractor shall furnish and install (1) ABC@-C 3.0 clarifier as manufactured by Bio-Microbics, Inc. The treatment system shall be complete with all needed equipment as shown on the drawings and specified herein. The principal items of equipment shall include ABC@-C clarifier insert, leg extensions, and pump. The ABC@-C 3.0 unit shall be situated within a 2250 Gallon (8500L) minimum tank, as shown on the plans. Tank(s) must conform to local state, and all other applicable codes. The contractor shall provide coordination between the ABC@-C system and tank supplier with regard to fabrication of the tank, installation of the ABC@-C unit and delivery to the job site.

**2. OPERATING CONDITIONS**  
 The ABC@-C clarifier shall be capable of settling the settleable sludge generated by an aeration system. Waste containing inhibitory substances is not recommended for treatment in the ABC@-C clarifier. Consult factory for proper sizing and usage.


**3. MEDIA**  
 The ABC@-C media shall be manufactured of rigid PVC, polyethylene, or polypropylene and it shall be supported by the polyethylene insert. The media shall be fixed in position and contain no moving or wearing parts and shall not corrode. The media shall be designed and installed to ensure that sloughed solids descend through the media to the bottom of the tank.

**4. INSTALLATION AND OPERATING INSTRUCTIONS**  
 All work must be done in accordance with local codes and regulations. Installation of the ABC@-C shall be done in accordance with the written instructions provided by the manufacturer. An operation and maintenance manual shall be furnished which will include a description of system installation, operation, and maintenance procedures.

**5. FLOW & PIPE SIZING**  
 Systems have been successfully designed, tested and certified receiving gravity, demand-based influent flow. Consult factory for guidance when influent flow is controlled by pump or other means to help with highly variable flow conditions. Multiple dosing events should be used to maximize performance.

**6. WARRANTY**  
 Bio-Microbics, Inc. warrants all new ABC@-C specialty clarifiers (ABC@-C 3.0 and 9.0) against defects in materials and workmanship for a period of one year after installation or eighteen (18 months) from the date of shipment which ever occurs first, subject to the following terms and conditions: During the warranty period, if any part is defective or fails to perform as specified when operating at design conditions, and if the equipment has been installed and is being operated and maintained in accordance with the written instructions provided by Bio-Microbics, Inc., Bio-Microbics, Inc. will repair or replace at its discretion such defective parts free of charge. Defective parts must be returned by owner to Bio-Microbics, Inc.'s factory postage paid, if so requested. The cost of labor and all other expenses resulting from replacement of the defective parts and from installation of parts furnished under this warranty and regular maintenance items such as filters or bulbs shall be borne by the owner. This warranty does not cover general system misuse, aerator components which have been damaged by flooding or any components that have been disassembled by unauthorized persons, improperly installed or damaged due to altered or improper wiring or overload protection. This warranty applies only to the treatment plant and does not include any of the house wiring, plumbing, drainage, septic tank or disposal system. Bio-Microbics, Inc. reserves the right to revise, change or modify the construction and/or design of the FAST system, or any component part or parts thereof, without incurring any obligation to make such changes or modifications in present equipment. Bio-Microbics, Inc. is not responsible for consequential or incidental damages of any nature resulting from such things as, but not limited to, defect in design, material, or workmanship, or delays in delivery, replacements or repairs.

THIS WARRANTY IS IN LIEU OF ALL OTHER WARRANTIES EXPRESS OR IMPLIED. BIO-MICROBICS SPECIFICALLY DISCLAIMS ANY IMPLIED WARRANTY OF MERCHANTABILITY OR FITNESS FOR A PARTICULAR PURPOSE. NO REPRESENTATIVE OR PERSON IS AUTHORIZED TO GIVE ANY OTHER WARRANTY OR TO ASSUME FOR BIO-MICROBICS, INC., ANY OTHER LIABILITY IN CONNECTION WITH THE SALE OF ITS PRODUCTS. Contact your local distributor for parts and service.

DO NOT SCALE  UNLESS NOTED DIMENSIONS ARE IN INCHES [CENTIMETERS] TOLERANCES ± 0.02 IN/IN [± 0.05 CM/CM]		 BETTER WATER. BETTER WORLD. <sup>®</sup>  ABC-C 3.0	
WEIGHT	lb	SIZE	DRAWING NUMBER
		A	Specifications
DRAWN	5/24/2010	CHECKED	PF
	10/16/2013	REVISED	10/16/2013
		REV.	

THE INFORMATION CONTAINED IN THIS DRAWING IS THE SOLE PROPERTY OF BIO-MICROBICS INC. ANY REPRODUCTION IN PART OR AS A WHOLE WITHOUT THE WRITTEN PERMISSION OF BIO-MICROBICS INC. IS PROHIBITED. DESIGN AND INVENTION RIGHTS ARE RESERVED. IN THE INTEREST OF TECHNOLOGICAL ADVANCEMENT, ALL PRODUCTS ARE SUBJECT TO DESIGN AND OR MATERIAL CHANGE WITHOUT NOTICE.

BIO-MICROBICS © 2014

SHEET  
2 OF 2