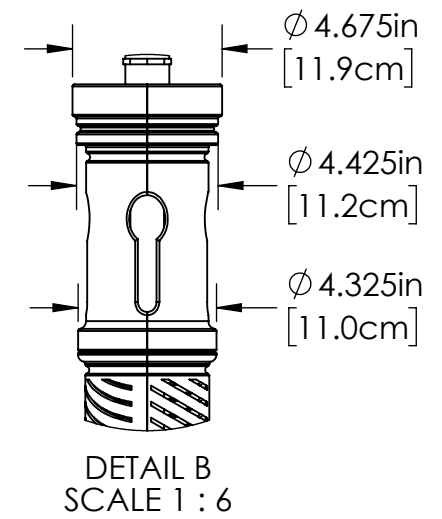
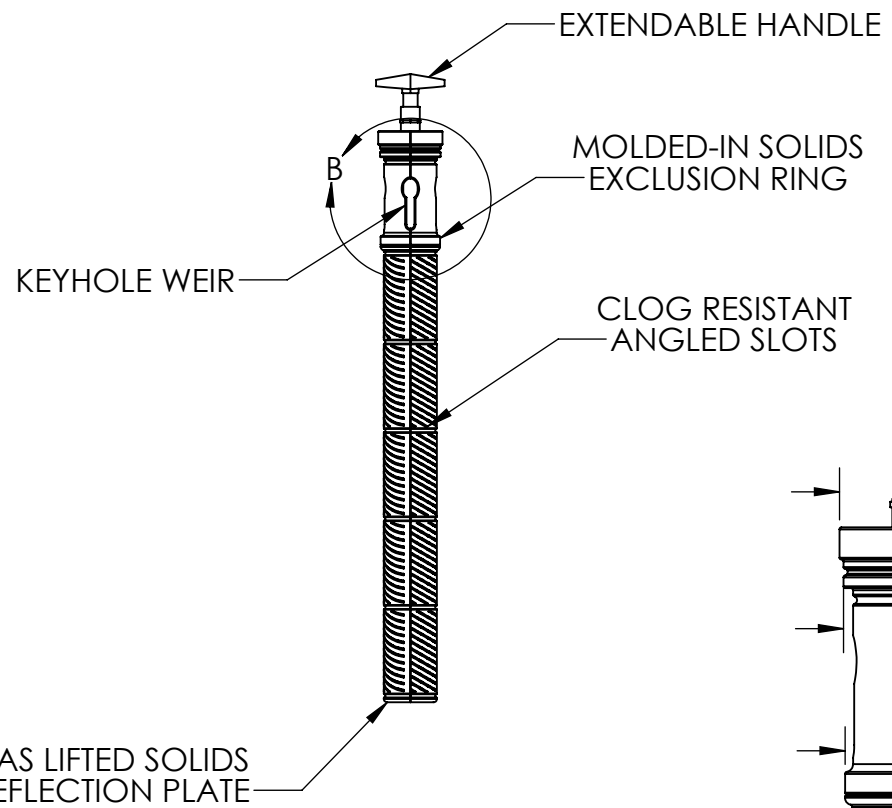
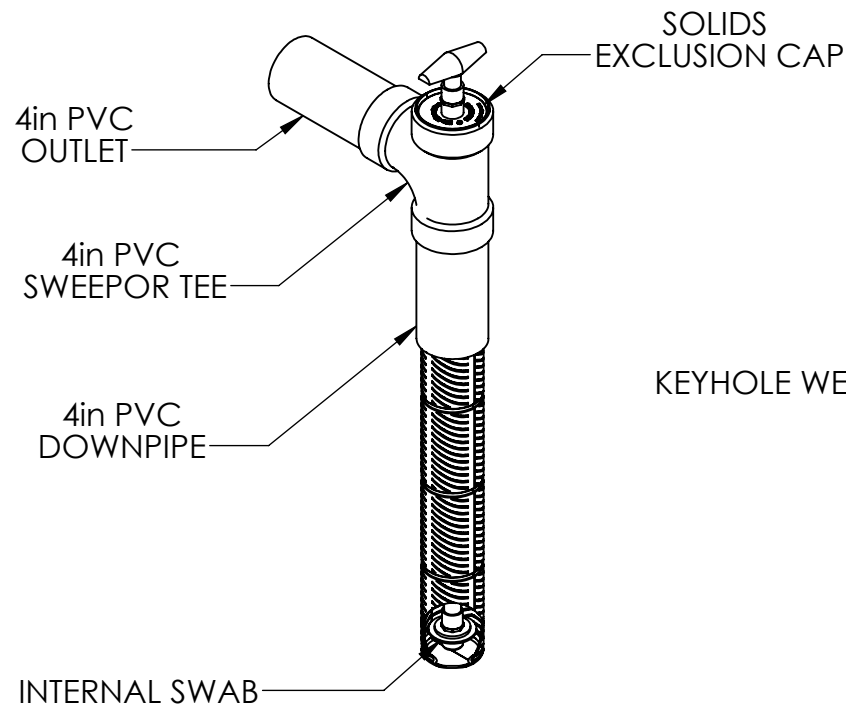
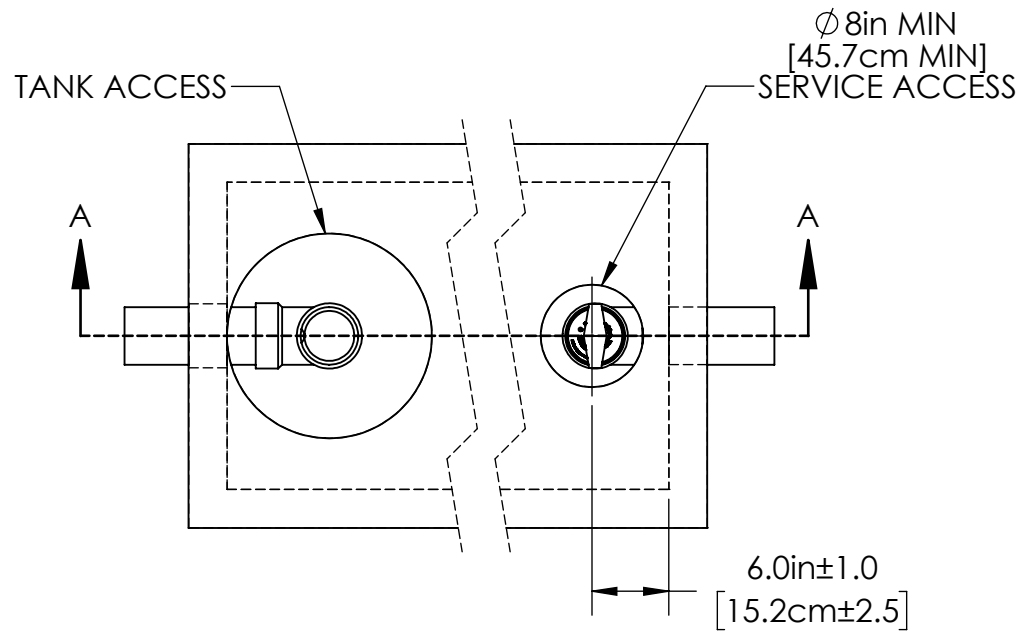
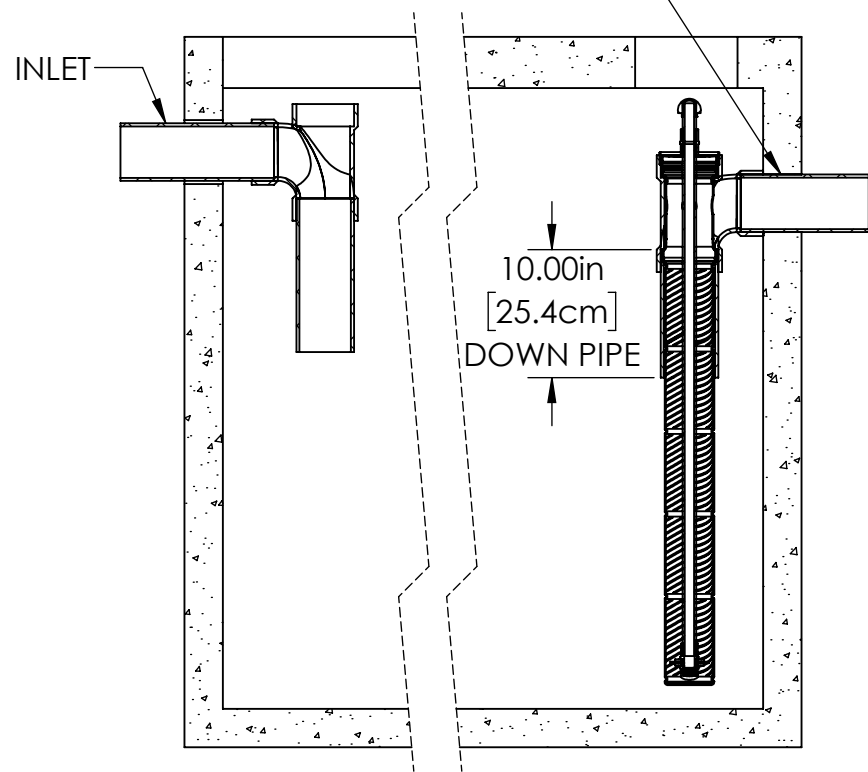


REVISIONS			
REV.	DESCRIPTION	DATE	REV BY
A	INITIAL RELEASE	6/17/2014	CTC
B	UPDATED TO CURRENT STANDARDS	4/27/2021	DFB

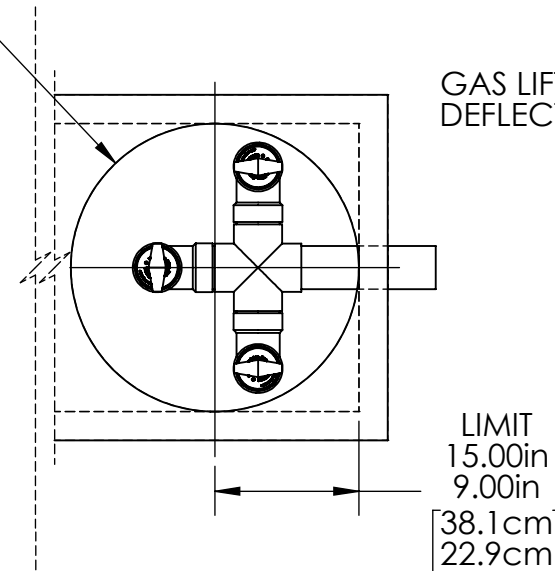


OUTLET: OPTIONAL 4in PVC PIPE PROVIDED BY OTHERS TO CONNECT OUTLET TO SECONDARY TANK



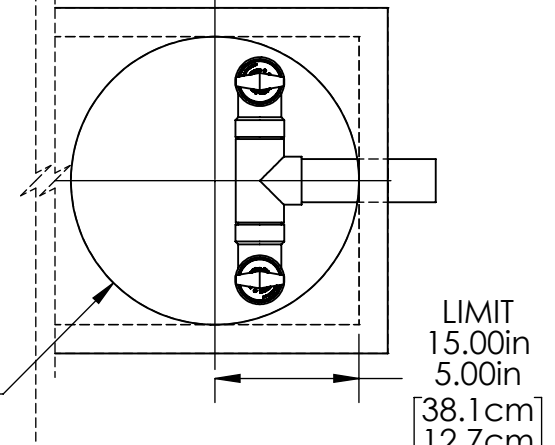
SECTION A-A
SCALE 1 : 15

Ø 30.00in MIN
[76.2cm MIN]
SERVICE ACCESS



LIMIT
15.00in
9.00in
[38.1cm]
[22.9cm]

Ø 30.00in MIN
[76.2cm MIN]
SERVICE ACCESS



LIMIT
15.00in
5.00in
[38.1cm]
[12.7cm]

NOTES:

1. SNT 416 IS A 1/16" [1.6MM] EFFLUENT SCREEN CAPABLE OF SCREENING UP TO 1,000 GPD [3.8 CUBIC METERS PER DAY].
2. SNT 418 IS A 1/8" [3.2 MM] EFFLUENT SCREEN CAPABLE OF SCREENING UP TO 2,000 GPD [7.6 CUBIC METERS PER DAY].
3. DOWN PIPE, OUTLET PIPE, AND TEE OR SWEEP NOT INCLUDED.
4. ALL APPURTENANCES TO SANITEE® (E.G. SEPTIC TANK, ACCESS RISERS, ETC.) MUST CONFORM TO ALL APPLICABLE CODES.

<p>PROPRIETARY AND CONFIDENTIAL THE INFORMATION CONTAINED IN THIS DRAWING IS THE SOLE PROPERTY OF BIO-MICROBICS, INC.. ANY REPRODUCTION IN PART OR AS A WHOLE WITHOUT THE WRITTEN PERMISSION OF BIO-MICROBICS, INC. IS PROHIBITED.</p> <p>DO NOT SCALE DRAWING</p>	<p>UNLESS OTHERWISE SPECIFIED DIMENSIONS ARE IN INCHES AND TOLERANCES ARE AS FOLLOWS</p> <p>X° ± 1° .X ± .50 .XX ± .25</p>		
	<p>DRAWN BY: DFB</p> <p>DATE: 4/27/2021</p>	<p>DESCRIPTION 4in SaniTEE®</p>	
<p>SHEET 1 OF 1</p>	<p>APPROVED BY: MSH</p> <p>APPROVED BY DATE: 4/27/2021</p>	<p>PART NUMBER SaniTEE® 416 & 418</p>	<p>REV B</p>
<p>SCALE: N/A</p>	<p>SIZE: B</p>		