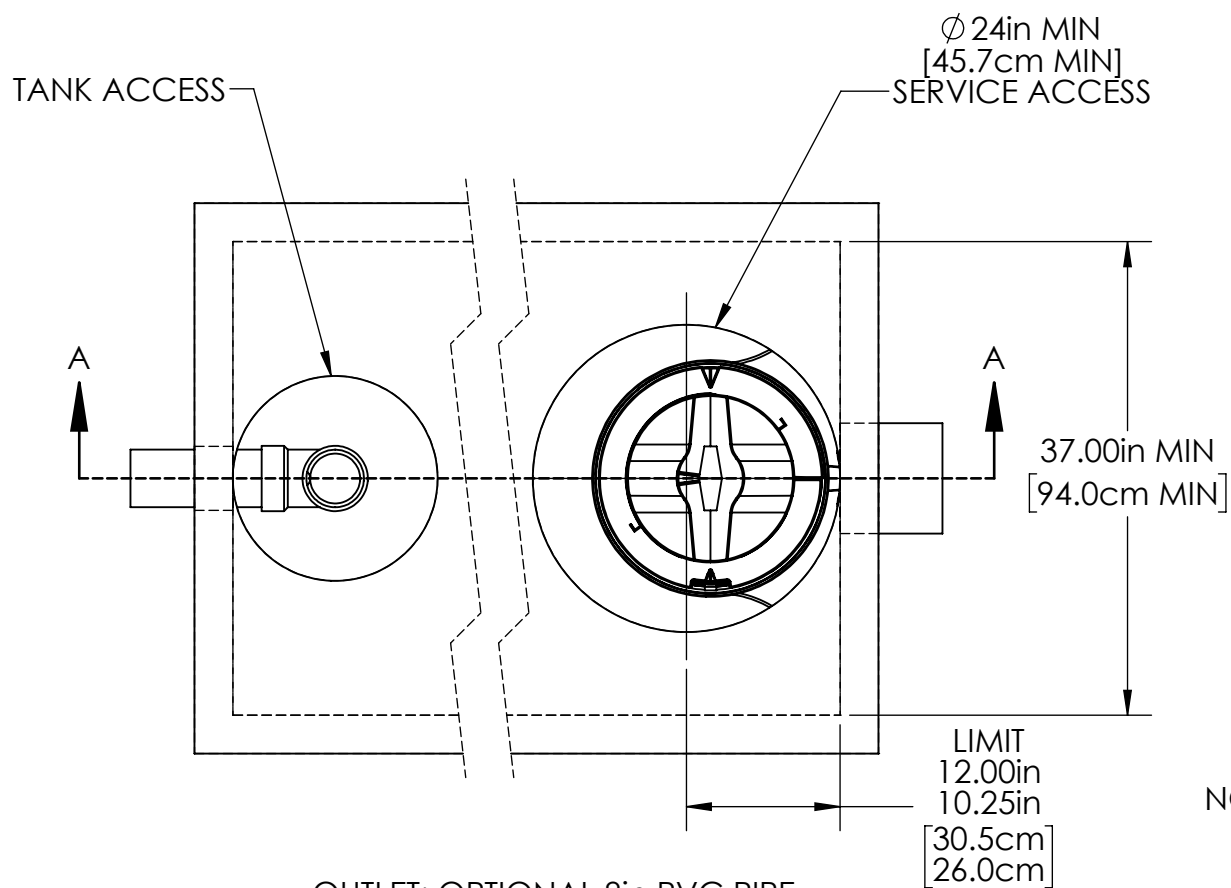
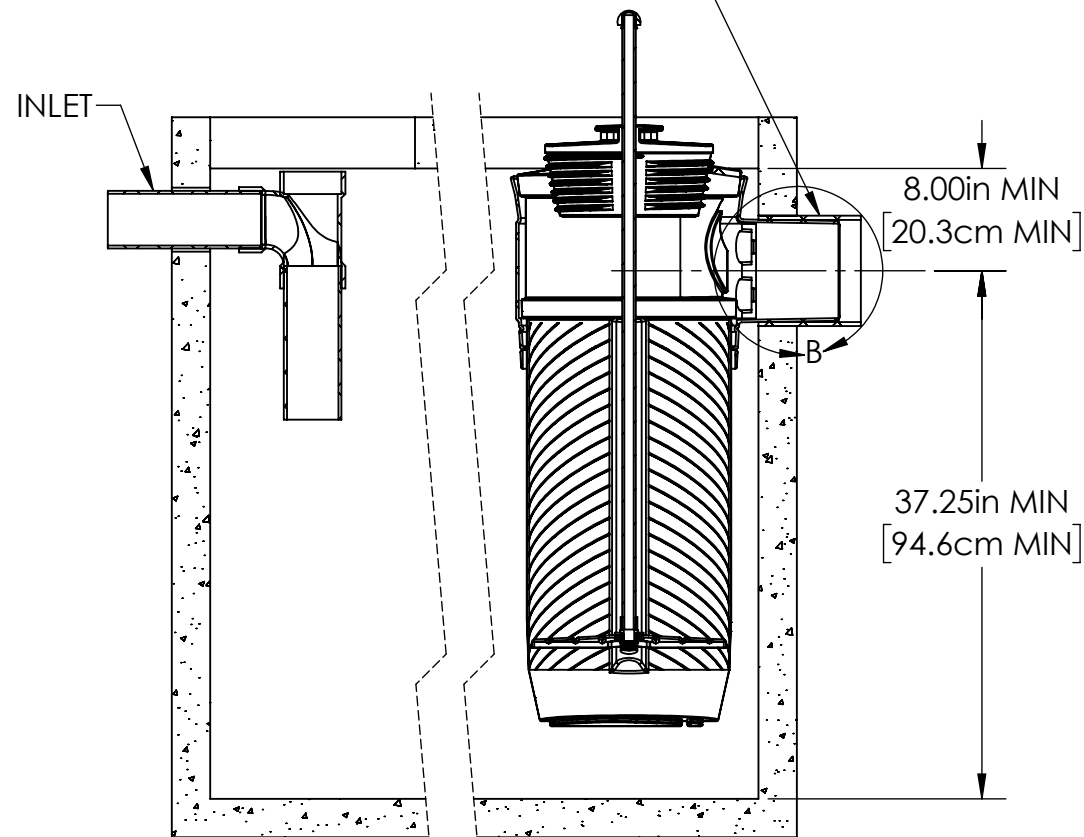


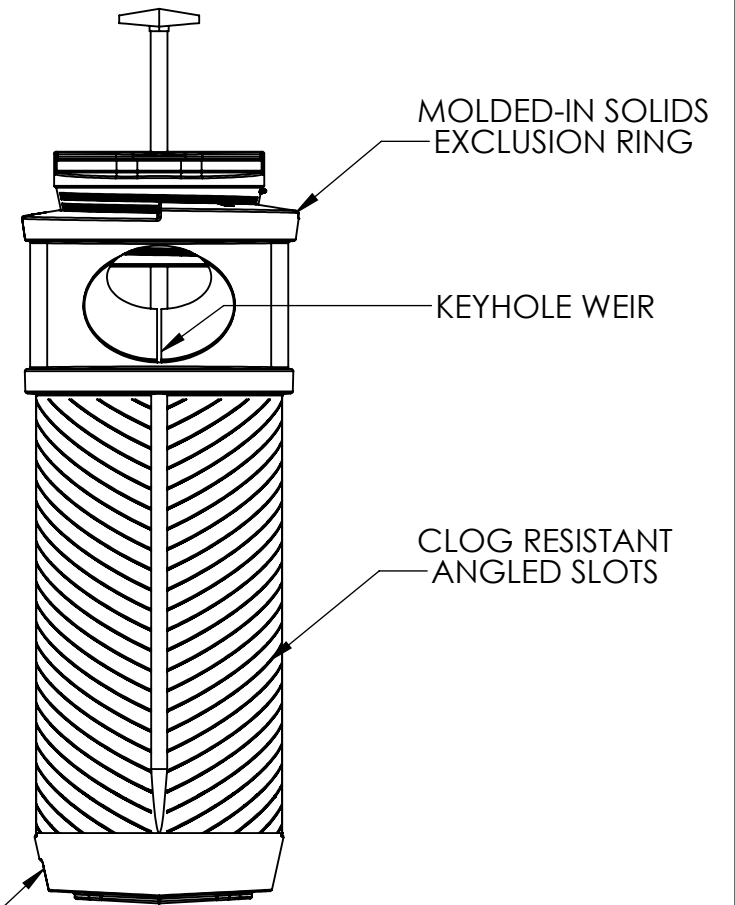
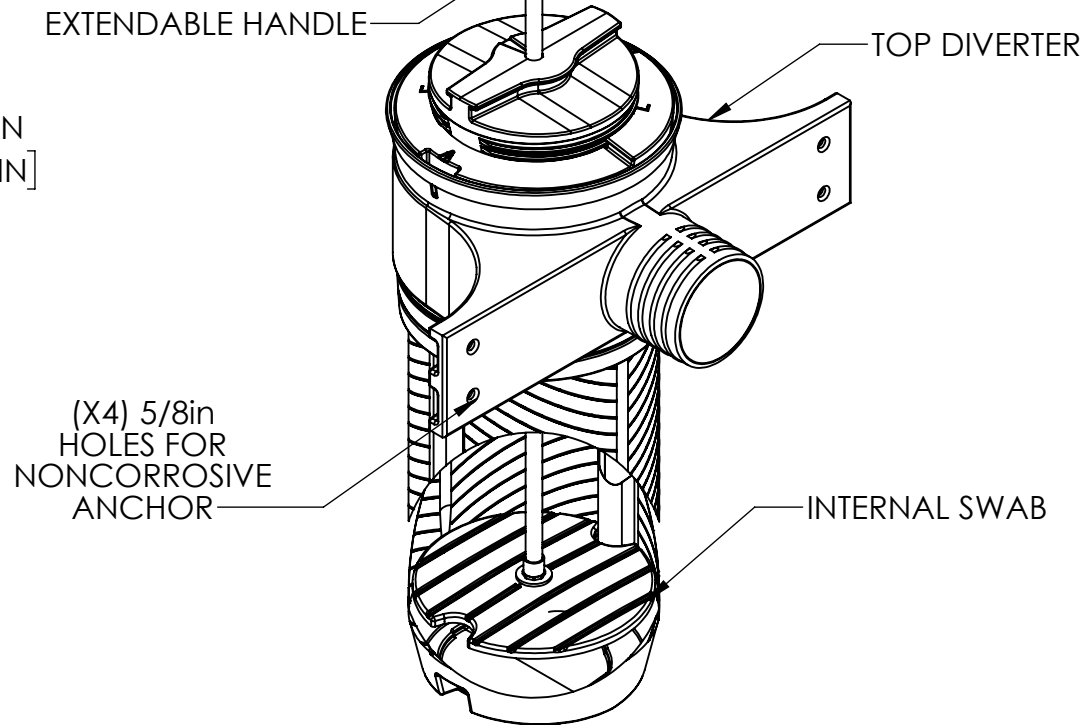
REVISIONS			
REV.	DESCRIPTION	DATE	REV BY
A	INITIAL RELEASE	6/17/2014	CTC
B	UPDATED TO CURRENT STANDARDS	4/27/2021	DFB



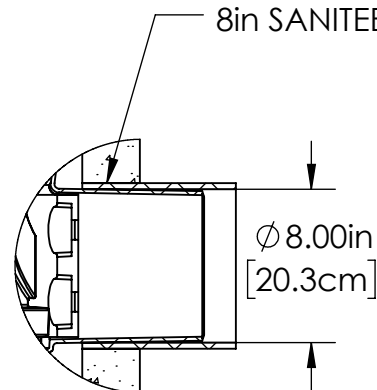
OUTLET: OPTIONAL 8in PVC PIPE PROVIDED BY OTHERS TO CONNECT OUTLET TO SECONDARY TANK



SECTION A-A
SCALE 1 : 15




IF INSTALLED AS SHOWN IN A SINGLE COMPARTMENT TANK THE 8in PVC PIPE MUST BE WATER TIGHT WITHIN THE TANK AND FLUSH AGAINST THE INSIDE TO MOUNT 8in SANITEE TOP DIVERTER



DETAIL B
SCALE 1 : 10

Notes:

1. SNT 1618 IS A 1/8in [3.2 MM] EFFLUENT SCREEN CAPABLE OF SCREENING UP TO 10,000 GPD [38 CUBIC METERS PER DAY].
2. SNT 1638 IS A 3/8in [9.5 MM] EFFLUENT SCREEN CAPABLE OF SCREENING UP TO 20,000 GPD [75.5 CUBIC METERS PER DAY].
3. OUTLET PIPE NOT INCLUDED. ALL APPURTENANCES TO SANITEE® (E.G. SEPTIC TANK, ACCESS RISERS, ETC) MUST CONFORM TO ALL APPLICABLE CODES.

PROPRIETARY AND CONFIDENTIAL THE INFORMATION CONTAINED IN THIS DRAWING IS THE SOLE PROPERTY OF BIO-MICROBICS, INC.. ANY REPRODUCTION IN PART OR AS A WHOLE WITHOUT THE WRITTEN PERMISSION OF BIO-MICROBICS, INC. IS PROHIBITED.		UNLESS OTHERWISE SPECIFIED DIMENSIONS ARE IN INCHES AND TOLERANCES ARE AS FOLLOWS $X^{\circ} \pm 1^{\circ}$ $.X \pm .50$ $.XX \pm .25$		 BETTER WATER. BETTER WORLD.	
DO NOT SCALE DRAWING		DRAWN BY: DFB	DESCRIPTION 16in SaniTEE®		
SHEET 1 OF 1		DATE: 4/27/2021	APPROVED BY: MSH		
SCALE: N/A	SIZE: B	APPROVED BY DATE: 4/27/2021	PART NUMBER SaniTEE® 1618, & 1638		REV B